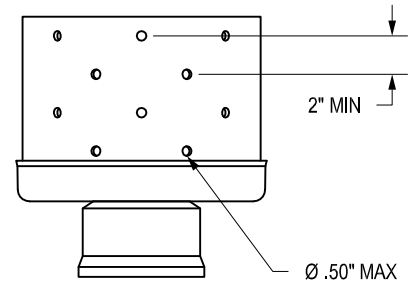
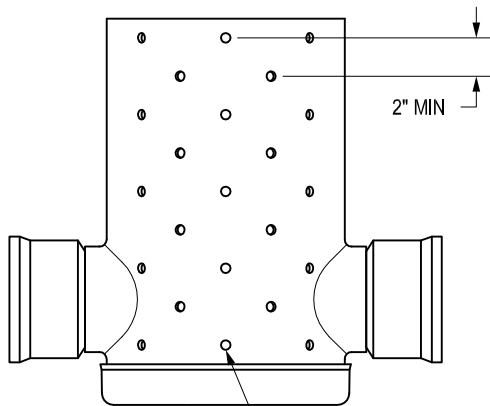
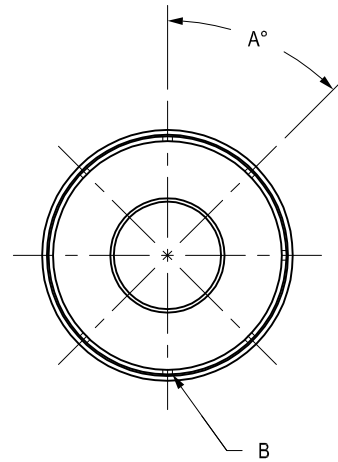
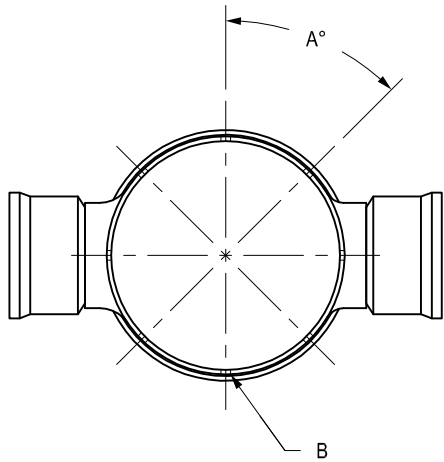


PERFORATION SCHEDULE



BASE CAN BE PERFORATED TO MATCH SCHEDULE OF RISER WALL UPON REQUEST

Ø .50" MAX


- 1 - PERFORATIONS SHOULD NOT BE ON OR WITHIN 1" OF ADAPTERS.
- 2 - HOLES SHOULD BE STAGGERED EVERY OTHER ROW, AS SHOWN.
- 3 - TO PREVENT BLOCKAGE OF PERFORATIONS, BASIN SHOULD BE WRAPPED IN AN ENGINEER APPROVED GEO-TEXTILE FABRIC.
- 4 - PERFORATIONS CANNOT BE INSTALLED IN 36" BASIN REDUCING CONE.

STRUCTURE SIZE	A° ANGLE BETWEEN HOLES	B NUMBER OF HOLES
8"	90°	4
10"	90°	4
12"	60°	6
15"	60°	6
18"	45°	8
24"	45°	8
30"	36°	10
36"	30°	12
*36" Structure Size for Drain Basin only		

THIS PRINT DISCLOSES SUBJECT MATTER IN WHICH NYLOPLAST HAS PROPRIETARY RIGHTS. THE RECEIPT OR POSSESSION OF THIS PRINT DOES NOT CONFER, TRANSFER, OR LICENSE THE USE OF THE DESIGN OR TECHNICAL INFORMATION SHOWN HEREIN REPRODUCTION OF THIS PRINT OR ANY INFORMATION CONTAINED HEREIN, OR MANUFACTURE OF ANY ARTICLE HEREFROM, FOR THE DISCLOSURE TO OTHERS IS FORBIDDEN, EXCEPT BY SPECIFIC WRITTEN PERMISSION FROM NYLOPLAST.

©2012 NYLOPLAST

DRAWN BY	CJA	MATERIAL	
DATE	7-20-99		
REVISED BY	NMH	PROJECT NO./NAME	
DATE	11-2-18		
DWG SIZE	A	SCALE	NTS
		SHEET	1 OF 1



3130 VERONA AVE
 BUFORD, GA 30518
 PHN (770) 932-2443
 FAX (770) 932-2490
www.nyloplast-us.com

TITLE		
NYLOPLAST STRUCTURE PERFORATION SCHEDULE		
DWG NO.	7001-110-008	REV E