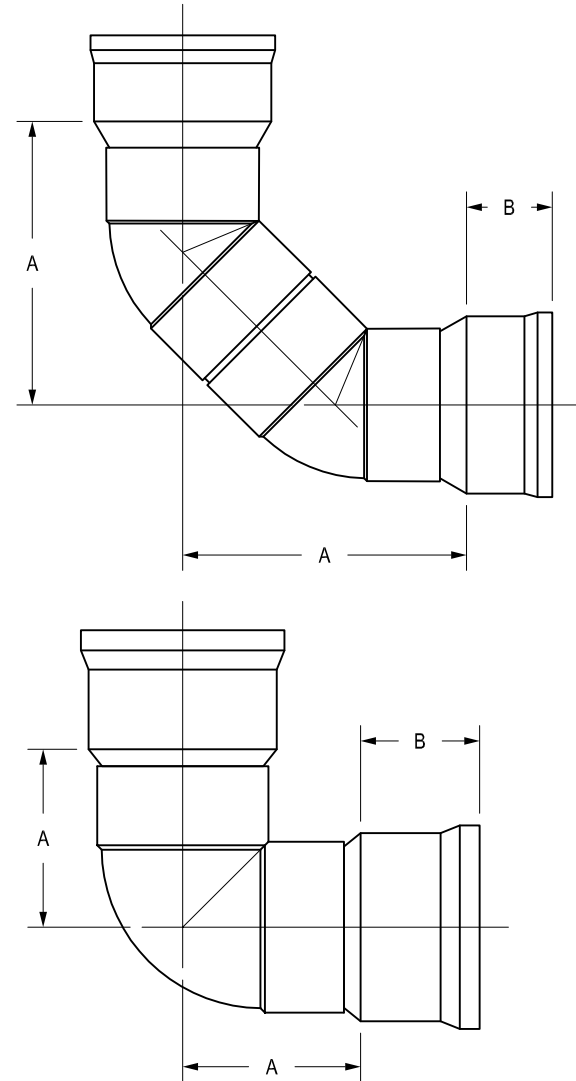


ADS N12 90 DEGREE ELBOW: __ 90AG


PART #	SIZE	A	B
0490AG	4 in. (100mm)	4.50 in. (114 mm)	3.82 in. (97 mm)
0690AG	6 in. (150mm)	6.75 in. (171 mm)	4.21 in. (107 mm)
0890AG	8 in. (200mm)	9.25 in. (235 mm)	5.24 in. (133 mm)
1090AG	10 in. (250mm)	16.75 in. (425 mm)	6.08 in. (154 mm)
1290AG	12 in. (300mm)	17.50 in. (445 mm)	6.45 in. (164 mm)
1590AG	15 in. (375mm)	29.50 in. (749 mm)	7.90 in. (201 mm)
1890AG	18 in. (450mm)	35.50 in. (902 mm)	8.39 in. (213 mm)
2490AG	24 in. (600mm)	46.75 in. (1187 mm)	10.05 in. (255 mm)



1 - DIMENSIONS ARE FOR REFERENCE ONLY
ACTUAL DIMENSIONS MAY VARY

THIS PRINT DISCLOSES SUBJECT MATTER IN WHICH NYLOPLAST HAS PROPRIETARY RIGHTS. THE RECEIPT OR POSSESSION OF THIS PRINT DOES NOT CONFER, TRANSFER, OR LICENSE THE USE OF THE DESIGN OR TECHNICAL INFORMATION SHOWN HEREIN REPRODUCTION OF THIS PRINT OR ANY INFORMATION CONTAINED HEREIN, OR MANUFACTURE OF ANY ARTICLE HEREFROM, FOR THE DISCLOSURE TO OTHERS IS FORBIDDEN, EXCEPT BY SPECIFIC WRITTEN PERMISSION FROM NYLOPLAST.

DRAWN BY	JJC	MATERIAL	
DATE	5-20-11	PVC	
APPD BY	JJC	PROJECT NO./NAME	
DATE	12-7-11		
DWG SIZE	A	SCALE	NTS SHEET 1 OF 1

		3130 VERONA AVE BUFORD, GA 30518 PHN (770) 932-2443 FAX (770) 932-2490 www.nyloplast-us.com	
		TITLE ADS N-12 / HANCOR DUAL WALL ELBOW - 90 DEGREE	
DWG NO.	90 DEGREE ELBOW	REV	A