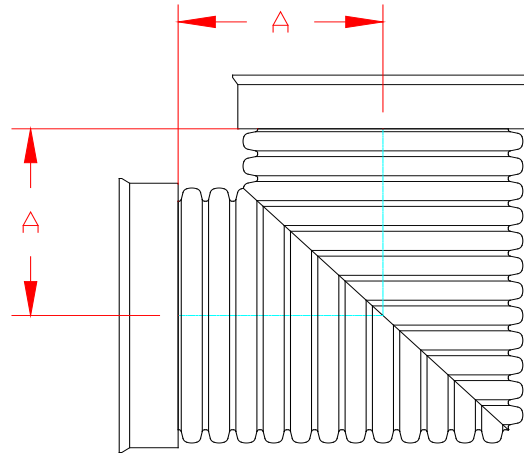


HP STORM DUAL WALL FABRICATED "WATER TIGHT" "BELL-BELL"
 90° MANIFOLD BEND 12" - 18" & 24" DIAMETER

PART #	PIPE SIZE	A
1298AN65BBP	12 in (300 mm)	9.8 in (250 mm)
1598AN65BBP	15 in (375 mm)	12.0 in (304 mm)
1898AN65BBP	18 in (450 mm)	14.8 in (375 mm)
2498AN65BBP	24 in (600 mm)	17.4 in (441 mm)



BELL END GASKET NOT INCLUDED WITH FITTING PLEASE ORDER SEPARATELY.

NOTE: ALL FITTINGS DIMENSIONS ARE FOR REFERENCE ONLY



DRAWING #:	13475	
DRAWN BY:	TJR	10/13/2016
APPROVED BY:		
REVISIONS:		