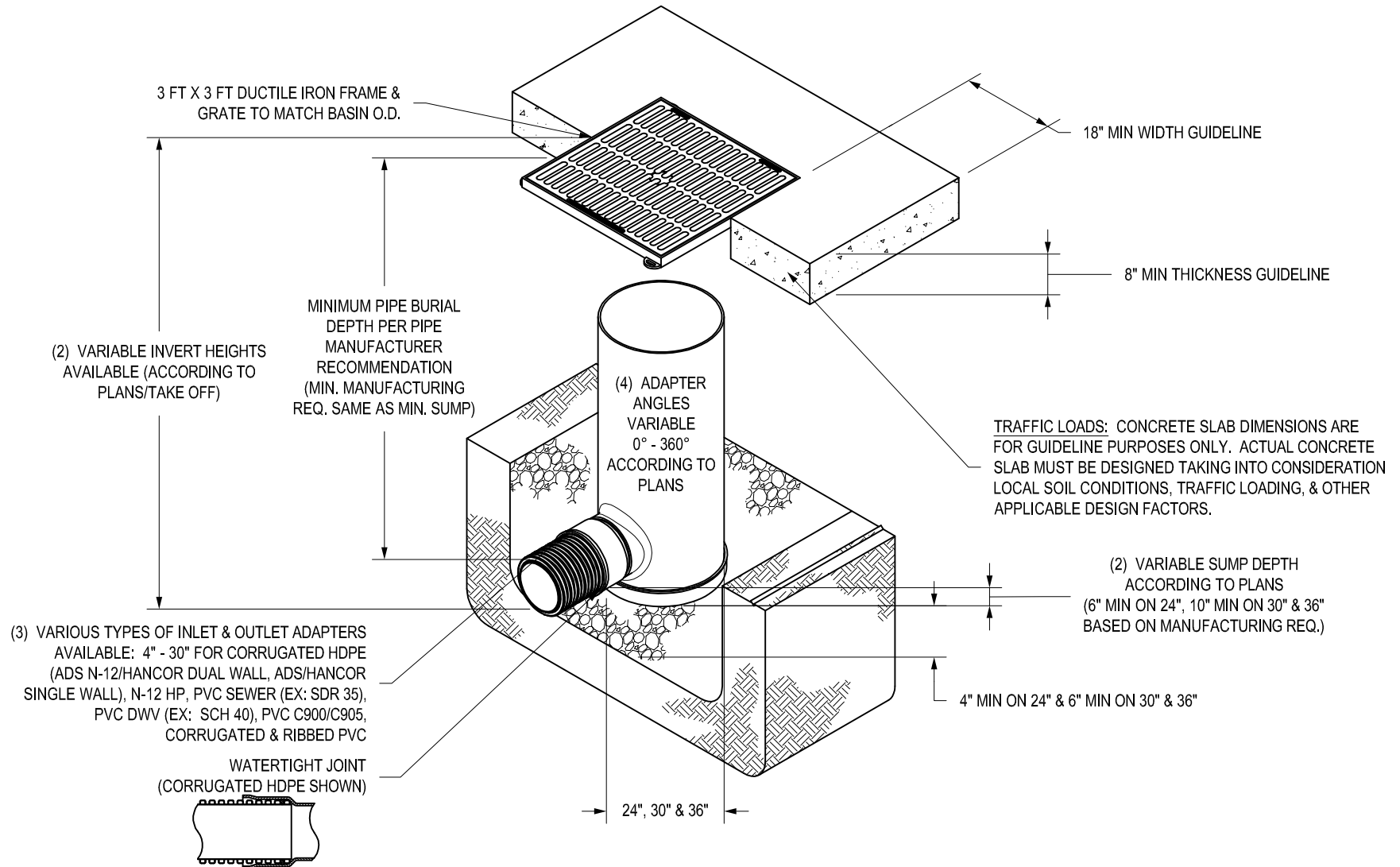


# NYLOPLAST 3 FT X 3FT ROAD & HIGHWAY STRUCTURE



- 1 - 24" - 30" FRAMES & 3 FT X 3 FT GRATES SHALL BE DUCTILE IRON PER ASTM A536 GRADE 70-50-05.
- 2 - DRAIN BASIN TO BE CUSTOM MANUFACTURED ACCORDING TO PLAN DETAILS.
- 3 - DRAINAGE CONNECTION STUB JOINT TIGHTNESS SHALL CONFORM TO ASTM D3212 FOR CORRUGATED HDPE (ADS N-12/HANCOR DUAL WALL), N-12 HP, & PVC SEWER.
- 4 - ADAPTERS CAN BE MOUNTED ON ANY ANGLE 0° TO 360°. TO DETERMINE MINIMUM ANGLE BETWEEN ADAPTERS SEE DRAWING NO. 7001-110-012.
- 5 - 3 FT X 3 FT ROAD & HIGHWAY GRATE SHALL MEET H-20 LOAD RATING.

THIS PRINT DISCLOSES SUBJECT MATTER IN WHICH NYLOPLAST HAS PROPRIETARY RIGHTS. THE RECEIPT OR POSSESSION OF THIS PRINT DOES NOT CONFER, TRANSFER, OR LICENSE THE USE OF THE DESIGN OR TECHNICAL INFORMATION SHOWN HEREIN. REPRODUCTION OF THIS PRINT OR ANY INFORMATION CONTAINED HEREIN, OR MANUFACTURE OF ANY ARTICLE HEREFROM, FOR THE DISCLOSURE TO OTHERS IS FORBIDDEN, EXCEPT BY SPECIFIC WRITTEN PERMISSION FROM NYLOPLAST.

©2007 NYLOPLAST

DRAWN BY	NMH	MATERIAL
DATE	12-19-17	
APPD BY	NMH	PROJECT NO./NAME
DATE	12-19-17	
DWG SIZE	A	SCALE 1:30 SHEET 1 OF 1



**ADS**  
Nyloplast

3130 VERONA AVE  
BUFORD, GA 30518  
PHN (770) 932-2443  
FAX (770) 932-2490  
www.nyloplast-us.com

---

**TITLE**  
DRAIN BASIN WITH 3 FT X 3 FT ROAD & HIGHWAY GRATE  
QUICK SPEC INSTALLATION DETAIL

---

DWG NO.	7001-110-527	REV	A
---------	--------------	-----	---