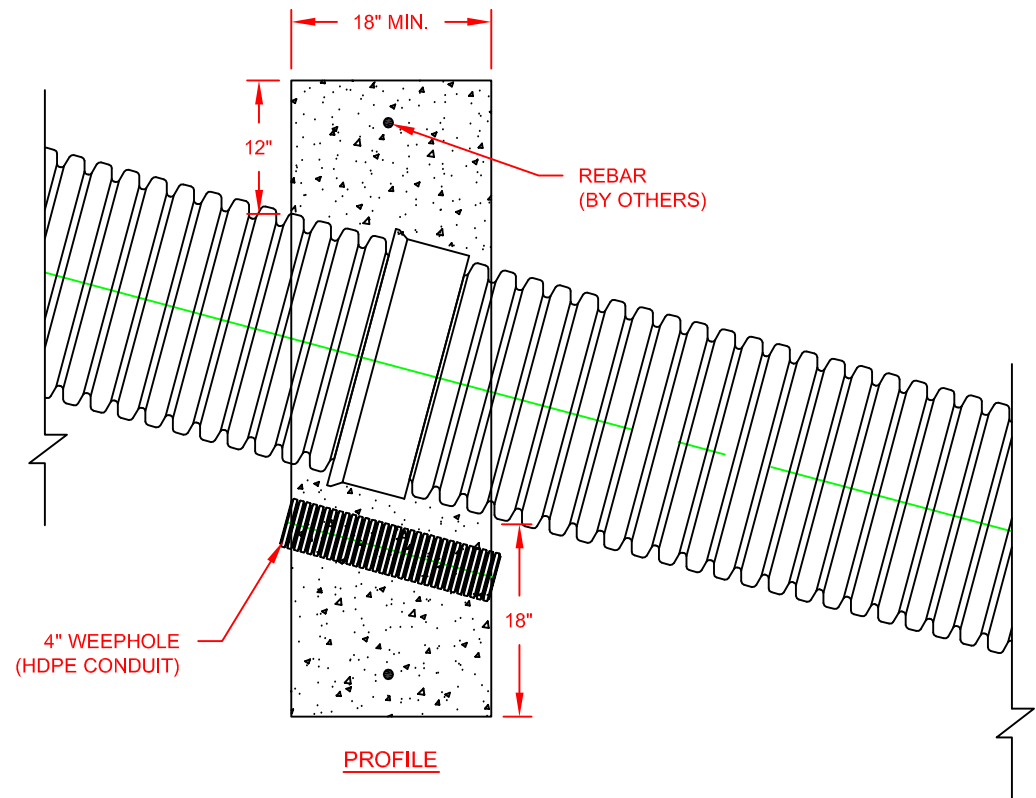


ELEVATION



PROFILE

NOTES:

1. PIPE TO BE INSTALLED PER MANUFACTURERS RECOMMENDATIONS. SEE STD-101.
2. ANCHORS SHALL BE PLACED EVERY JOINT.
3. VELOCITY REDUCTION METHODS SHALL BE TAKEN WHEN SLOPE CREATES VELOCITY GREATER THAN 20 FPS.

© 2007 ADS, INC.

| | | | | |
|------|-----------------|-----|----------|-------|
| 1 | UPDATED DRAWING | TJR | 01/07/15 | |
| REV. | DESCRIPTION | BY | MM/DD/YY | CHK'D |

ADVANCED DRAINAGE SYSTEMS, INC. ("ADS") HAS PREPARED THIS DETAIL BASED ON INFORMATION PROVIDED TO ADS. THIS DRAWING IS INTENDED TO DEPICT THE COMPONENTS AS REQUESTED. ADS HAS NOT PERFORMED ANY ENGINEERING OR DESIGN SERVICES FOR THIS PROJECT, NOR HAS ADS INDEPENDENTLY VERIFIED THE INFORMATION SUPPLIED. THE INSTALLATION DETAILS PROVIDED HEREIN ARE GENERAL RECOMMENDATIONS AND ARE NOT SPECIFIC FOR THIS PROJECT. THE DESIGN ENGINEER SHALL REVIEW THESE DETAILS PRIOR TO CONSTRUCTION. IT IS THE DESIGN ENGINEERS RESPONSIBILITY TO ENSURE THE DETAILS PROVIDED HEREIN MEETS OR EXCEEDS THE APPLICABLE NATIONAL, STATE, OR LOCAL REQUIREMENTS AND TO ENSURE THAT THE DETAILS PROVIDED HEREIN ARE ACCEPTABLE FOR THIS PROJECT.

CONCRETE ANCHORS FOR STEEPLY SLOPED PIPES INSTALLATION

DRAWING NUMBER: STD-804



4640 TRUEMAN BLVD
HILLIARD, OHIO 43026

Advanced Drainage Systems, Inc.

| | |
|----------|---------|
| DRAWN BY | K.M.J. |
| DATE | 8-22-99 |
| CHK'D BY | |
| SCALE | NTS |
| SHEET | OF |