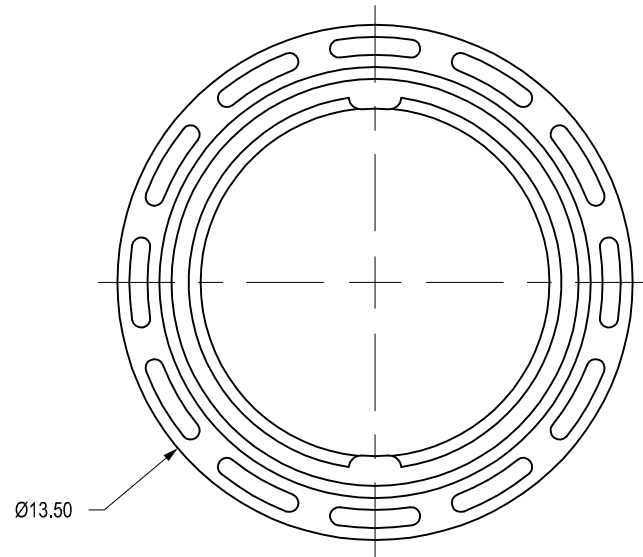
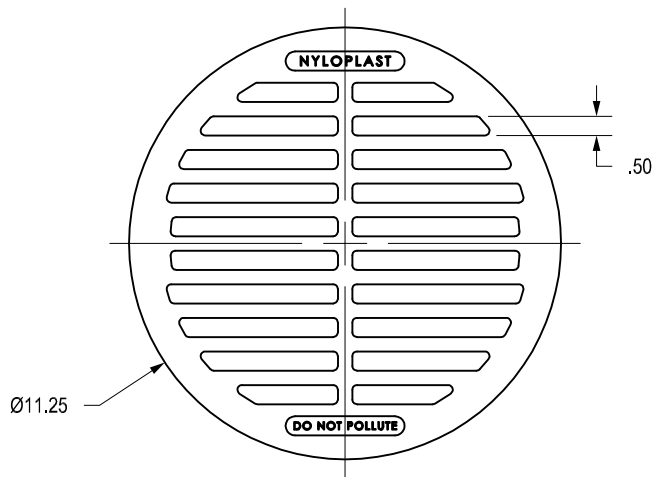
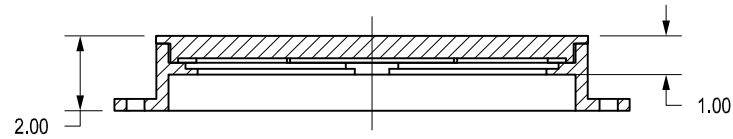


# 1099CGBF


APPROX. DRAIN AREA = 37.35 SQ IN  
 APPROX. WEIGHT = 15.40 LBS



DIMENSIONS ARE FOR REFERENCE ONLY  
 ACTUAL DIMENSIONS MAY VARY  
 DIMENSIONS ARE IN INCHES  
 GRATE HAS LIGHT DUTY RATING  
 SIZE OF OPENING MEETS REQUIREMENTS OF AMERICAN DISABILITY  
 ACT AS STATED IN FEDERAL REGISTER PART III, DEPARTMENT OF  
 JUSTICE, 28 CFR PART 36.

THIS PRINT DISCLOSES SUBJECT MATTER IN WHICH NYLOPLAST HAS PROPRIETARY RIGHTS. THE RECEIPT OR POSSESSION OF THIS PRINT DOES NOT CONFER, TRANSFER, OR LICENSE THE USE OF THE DESIGN OR TECHNICAL INFORMATION SHOWN HEREIN REPRODUCTION OF THIS PRINT OR ANY INFORMATION CONTAINED HEREIN, OR MANUFACTURE OF ANY ARTICLE HEREFROM, FOR THE DISCLOSURE TO OTHERS IS FORBIDDEN, EXCEPT BY SPECIFIC WRITTEN PERMISSION FROM NYLOPLAST.  
 ©2007 NYLOPLAST

DRAWN BY	NMH	MATERIAL	DUCTILE IRON FRAME BRONZE GRATE	
DATE	7-25-19	PROJECT NO./NAME		
APPD BY	NMH	SCALE	1:5	SHEET 1 OF 1
DATE	7-25-19	DWG NO.	7001-110-562	REV A
DWG SIZE	A			

	3130 VERONA AVE BUFORD, GA 30518 PHN (770) 932-2443 FAX (770) 932-2490 www.nyloplast-us.com	
	TITLE 10 IN BRONZE GRATE ASSEMBLY - TYPE B	