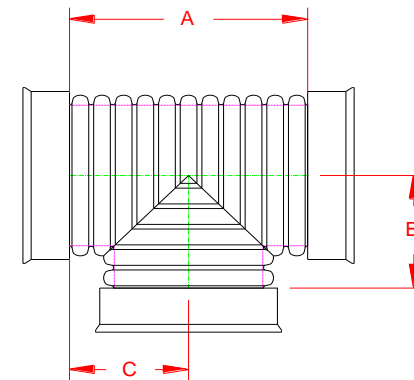


**HP STORM DUAL WALL FABRICATED TEES**  
**12" - 24" DIAMETER (BELL\BELL)**

PART #	PIPE SIZE	A	B	C	JOINT
1264AN65BP	12 in (300 mm)	21.6 in (548 mm)	10.8 in (274 mm)	10.8 in (274 mm)	WT
1565AN65BP	15 in (375 mm)	26.2 in (665 mm)	13.1 in (333 mm)	13.1 in (333 mm)	WT
1866AN65BP	18 in (450 mm)	26.4 in (671 mm)	13.2 in (335 mm)	13.2 in (336 mm)	WT
2467AN65BP	24 in (600 mm)	38.2 in (969 mm)	19.1 in (485 mm)	19.1 in (485 mm)	WT



WT (INCLUDES 3 GASKETS)

NOTE: ALL FITTINGS DIMENSIONS ARE FOR REFERENCE ONLY

© 2021 Advanced Drainage Systems, Inc.

 <small>Advanced Drainage Systems, Inc.</small>	DRAWING #:	HP 11100
	DRAWN BY:	TJR 10/15/2009
	APPROVED BY:	
	REVISIONS:	TJR 3/24/2016