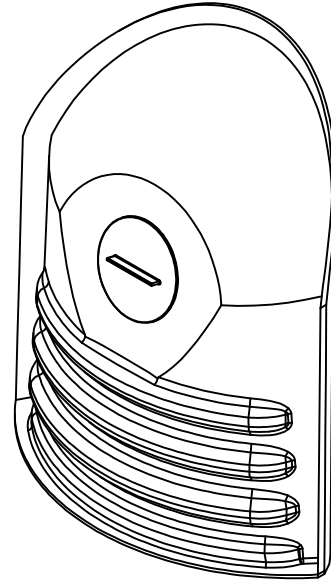
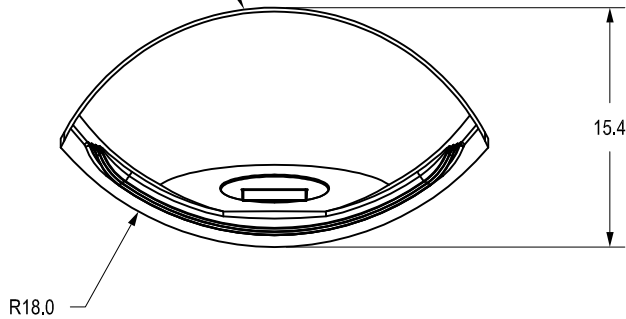
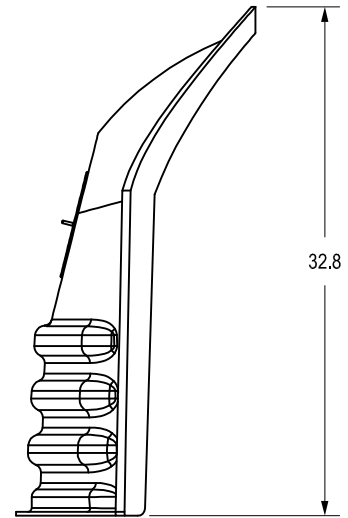
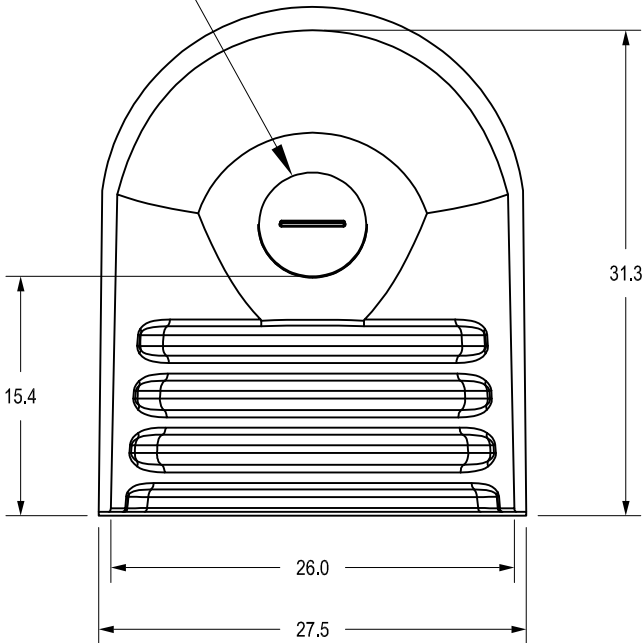


DESIGNED TO FIT 30" DIAMETER  
NYLOPLAST PVC DRAIN BASIN



REMOVABLE 6"  
ACCESS PORT



THIS PRINT DISCLOSES SUBJECT MATTER IN WHICH NYLOPLAST HAS PROPRIETARY RIGHTS. THE RECEIPT OR POSSESSION OF THIS PRINT DOES NOT CONFER, TRANSFER, OR LICENSE THE USE OF THE DESIGN OR TECHNICAL INFORMATION SHOWN HEREIN. REPRODUCTION OF THIS PRINT OR ANY INFORMATION CONTAINED HEREIN, OR MANUFACTURE OF ANY ARTICLE HEREFROM, FOR THE DISCLOSURE TO OTHERS IS FORBIDDEN, EXCEPT BY SPECIFIC WRITTEN PERMISSION FROM NYLOPLAST.

©2012 NYLOPLAST

DRAWN BY JJC  
DATE 07-02-12  
APPD BY JJC  
DATE 07-02-12

REV BY CJA  
DATE 08-20-14  
APPD BY CJA  
DATE 08-20-14

DWG SIZE A

MATERIAL  
HIGH DENSITY POLYETHYLENE

PROJECT NO./NAME

SCALE NTS SHEET 1 OF 1



3130 VERONA AVE  
BUFORD, GA 30518  
PHN (770) 932-2443  
FAX (770) 932-2490  
www.nyloplast-us.com

TITLE  
NYLOPLAST 30" ENVIROHOOD FOR UP TO 18" OUTLET

DWG NO. 7004-110-107 REV B