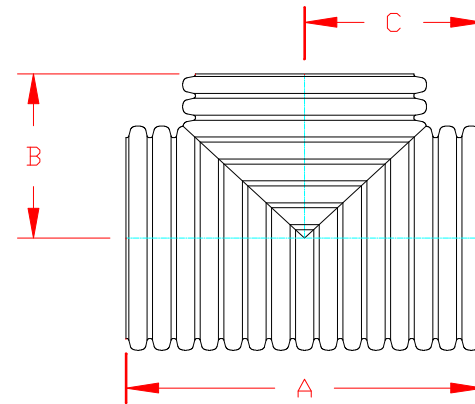


DUAL WALL FABRICATED "SOIL TIGHT" "PLAIN END" SINGLE MANIFOLD  
12" - 30" DIAMETER

PART #	PIPE SIZE	A	B	C
1251AN	12 in (300 mm)	25.4 in (645 mm)	12.7 in (323 mm)	12.7 in (323 mm)
1551AN	15 in (375 mm)	28.9 in (734 mm)	14.5 in (367 mm)	14.5 in (367 mm)
1851AN	18 in (450 mm)	35.3 in (896 mm)	17.6 in (448 mm)	17.6 in (448 mm)
2451AN	24 in (600 mm)	41.4 in (1051 mm)	20.7 in (526 mm)	20.7 in (526 mm)
3051AN	30 in (750 mm)	53.1 in (1347 mm)	26.5 in (674 mm)	26.5 in (674 mm)



NOTE: ALL FITTINGS DIMENSIONS ARE FOR REFERENCE ONLY

© 2023 Advanced Drainage Systems, Inc.

 Advanced Drainage Systems, Inc.	DRAWING #:	4000
	DRAWN BY:	AWM 03.17.06
	APPROVED BY:	JCB 06.28.07
	REVISIONS:	TJR 05.12.09