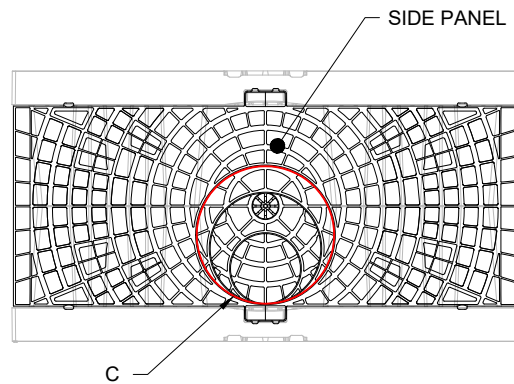
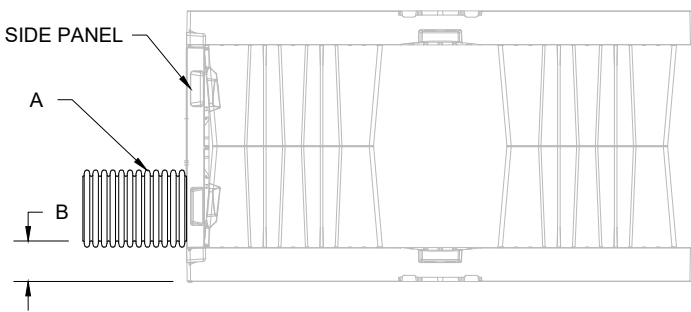
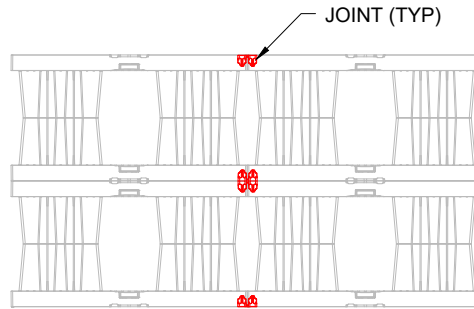
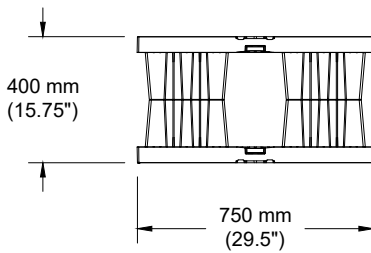
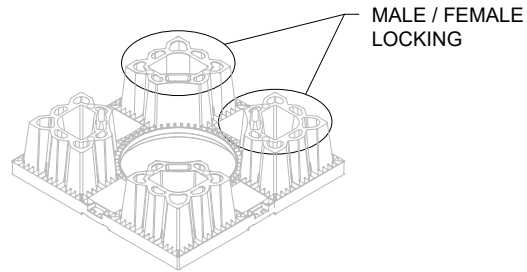
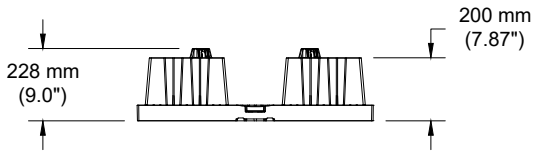
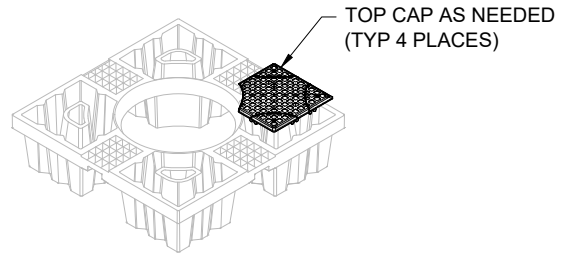
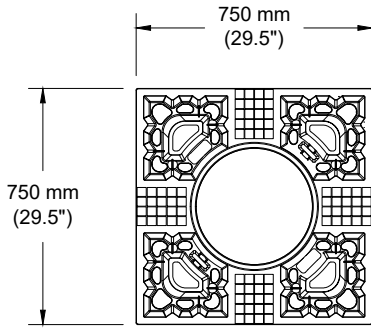


# AQUABOX CUBE MODULE TECHNICAL SPECIFICATION

NTS



**NOMINAL MODULE SPECIFICATIONS**  
 SIZE (LENGTH X WIDTH X HEIGHT)  
 CUBE MODULE STORAGE

750 mm X 750 mm X 400 mm  
 0.21 m<sup>3</sup>

(29.5" X 29.5" X 15.75")  
 (7.48 CUBIC FEET)

STUB CONNECTION	STUB (A)	INVERT (B)	MARKED CUT HOLE (C)
150 mm (6") ADS N-12 (ECCENTRIC)	150 mm (6")	63 mm (2.5") 150 mm (6")	200 mm

NOTE: ALL DIMENSIONS ARE NOMINAL

**TECHNICAL SPECIFICATIONS**  
**AQUABOX CUBE MODULE**

DATE: 03/06/25  
 DRAWING #: 771-010\_C  
 DRAWN: SMW  
 CHECKED: JLM

**Aquabox**  
 Modular Stormwater Management System

4640 TRUEMAN BLVD  
 HILLIARD, OH 43026



THIS DRAWING HAS BEEN PREPARED BASED ON INFORMATION PROVIDED TO ADS/STORMTECH UNDER THE DIRECTION OF THE PROJECT'S ENGINEER OF RECORD, (EOR), OR OTHER PROJECT REPRESENTATIVE. THIS DRAWING IS NOT INTENDED FOR USE IN BIDDING OR CONSTRUCTION WITHOUT THE EOR'S PRIOR APPROVAL. EOR SHALL REVIEW THIS DRAWING PRIOR TO BIDDING AND/OR CONSTRUCTION. IT IS THE ULTIMATE RESPONSIBILITY OF THE EOR TO ENSURE THAT THE PRODUCT(S) DEPICTED AND ALL ASSOCIATED DETAILS MEET ALL APPLICABLE LAWS, REGULATIONS, AND PROJECT REQUIREMENTS.