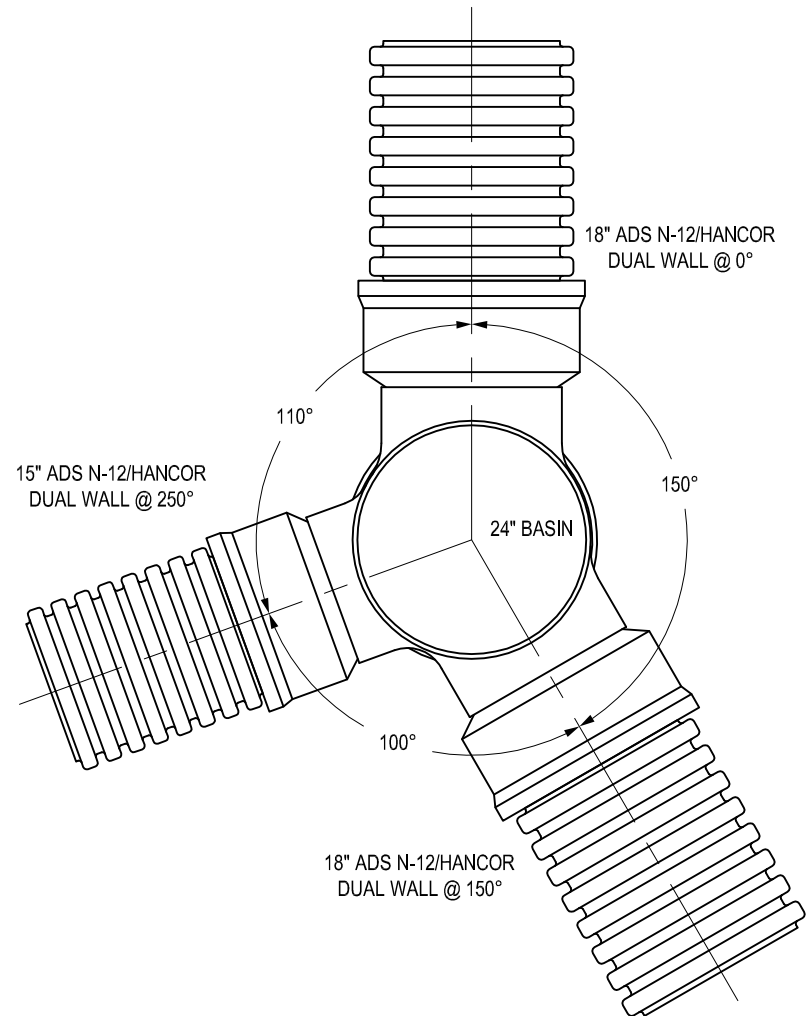


1. MEASURE THE ANGLE BETWEEN THE PIPE RUNS DIRECTLY FROM THE STORM DRAIN PLANS FOR EACH STRUCTURE LOCATION . THE ANGLE BETWEEN EVERY PIPE RUN MUST BE MEASURED.
2. REFER TO DRAWING NO. 7001-110-012 FOR MINIMUM ANGLE REQUIREMENTS. THE ANGLES LISTED ARE THE MINIMUM ANGLES POSSIBLE BETWEEN ADAPTERS DUE TO PRODUCTION RESTRICTIONS.
3. WHEN RECORDING THE MEASURED ANGLES ON AN ORDER FORM BE SURE TO MEASURE THE ANGLES IN A CLOCKWISE DIRECTION & LABEL THE ANGLE POSITIONS STARTING WITH 0° AT THE TOP OF THE PAGE, THE 12 O'CLOCK POSITION; 90° WOULD THEN FOLLOW AT 3 O'CLOCK, 180° AT 6 O'CLOCK, & SO FORTH (TYPICALLY YOUR OUTLET PIPE WOULD BE LABELED AT 0°).


EXAMPLE:

THE 24" BASIN TO THE RIGHT HAS THREE ADAPTERS:
 18" ADS N-12/HANCOR DUAL WALL ADAPTER @ 0°
 18" ADS N-12/HANCOR DUAL WALL ADAPTER @ 150°
 15" ADS N-12/HANCOR DUAL WALL ADAPTER @ 250°

AT FIRST GLANCE, IT APPEARS THAT AN 18" BASIN COULD BE USED TO MANUFACTURE THIS STRUCTURE, BUT AN 18" BASIN CAN NOT BE USED BECAUSE THERE IS ONLY 100° BETWEEN ONE OF THE 18" ADAPTERS & THE 15" ADAPTER. ACCORDING TO THE MINIMUM ANGLE CHART AN 18" BASIN REQUIRES A MINIMUM OF 110° BETWEEN AN 18" & 15" ADAPTER. A 24" BASIN IS THE MINIMUM BASIN SIZE THAT CAN BE USED TO MANUFACTURE THIS STRUCTURE. ACCORDING TO THE MINIMUM ANGLE CHART A 24" BASIN REQUIRES A MINIMUM OF 84° BETWEEN AN 18" & 15" ADAPTER & THE 100° BETWEEN THE 18" & 15" ADAPTER ON THIS BASIN IS WELL ABOVE THAT MINIMUM REQUIREMENT.



DRAIN BASIN TOP VIEW
WITHOUT FRAME & GRATE

THIS PRINT DISCLOSES SUBJECT MATTER IN WHICH NYLOPLAST HAS PROPRIETARY RIGHTS. THE RECEIPT OR POSSESSION OF THIS PRINT DOES NOT CONFER, TRANSFER, OR LICENSE THE USE OF THE DESIGN OR TECHNICAL INFORMATION SHOWN HEREIN REPRODUCTION OF THIS PRINT OR ANY INFORMATION CONTAINED HEREIN, OR MANUFACTURE OF ANY ARTICLE HEREFROM, FOR THE DISCLOSURE TO OTHERS IS FORBIDDEN, EXCEPT BY SPECIFIC WRITTEN PERMISSION FROM NYLOPLAST. ©2013 NYLOPLAST	DRAWN BY EBC	MATERIAL	 3130 VERONA AVE BUFORD, GA 30518 PHN (770) 932-2443 FAX (770) 932-2490 www.nyloplast-us.com	
	DATE 05-01-07	PROJECT NO./NAME		TITLE NYLOPLAST DRAIN BASIN LAYOUT WITH MINIMUM ANGLE MEASUREMENT EXAMPLE
	REVISED BY CCA	DATE 09-04-13	SCALE 1:20 SHEET 1 OF 1	DWG NO. 7001-110-284 REV C
	DWG SIZE A			