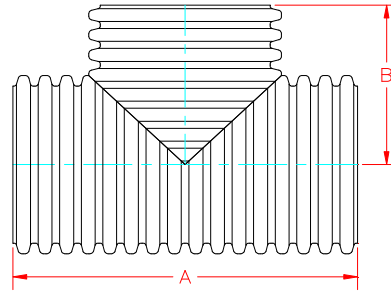


STORMTECH DUAL WALL FABRICATED "SOIL TIGHT" "PLAIN END" SINGLE MANIFOLD
6" - 24" DIAMETER



PART #	PIPE SIZE	CHAMBER SIZE	A	B
0651AN7406	6 in (150 mm)	SC-740	57.0 in (1447 mm)	28.5 in (724 mm)
0851AN7408	8 in (200 mm)	SC-740	56.6 in (1439 mm)	28.3 in (719 mm)
1051AN7410	10 in (250 mm)	SC-740	56.7 in (1440 mm)	28.4 in (720 mm)
1251AN7412	12 in (300 mm)	SC-740	57.6 in (1463 mm)	28.8 in (732 mm)
1551AN7415	15 in (375 mm)	SC-740	57.0 in (1447 mm)	28.5 in (724 mm)
1851AN7418	18 in (450 mm)	SC-740	56.3 in (1430 mm)	28.1 in (715 mm)
2451AN7424	24 in (600 mm)	SC-740	56.7 in (1440 mm)	28.4 in (720 mm)

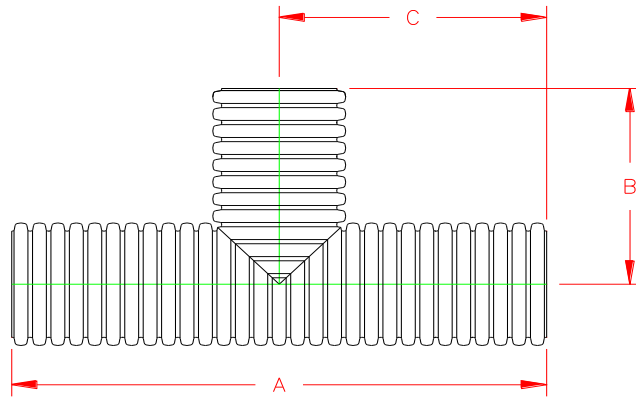
PART #	PIPE SIZE	CHAMBER SIZE	A	B
0651AN3106	6 in (150 mm)	SC-310	39.3 in (997 mm)	19.6 in (499 mm)
0851AN3108	8 in (200 mm)	SC-310	37.4 in (950 mm)	19.7 in (500 mm)
1051AN3110	10 in (250 mm)	SC-310	39.1 in (992 mm)	19.5 in (496 mm)
1251AN3112	12 in (300 mm)	SC-310	37.1 in (942 mm)	20.2 in (512 mm)

NOTE: ALL FITTINGS DIMENSIONS ARE FOR REFERENCE ONLY

© 2023 Advanced Drainage Systems, Inc.

	DRAWING #:	5000	
	DRAWN BY:	TJR	11.15.07
	APPROVED BY:	TJR	11.15.07
	REVISIONS:	JKL	01.28.25

STORMTECH DUAL WALL FABRICATED "SOIL TIGHT" SINGLE MANIFOLD
12" - 24" DIAMETER



PART #	PIPE SIZE	CHAMBER SIZE	A	B	C
1251AN3512	12 in (300 mm)	3500	84.0 in (2134 mm)	40.1 in (1018 mm)	42.0 in (1067 mm)
1551AN3515	15 in (375 mm)	3500	84.1 in (2135 mm)	43.4 in (1101 mm)	42.1 in (1068 mm)
1851AN3518	18 in (450 mm)	3500	82.3 in (2091 mm)	44.1 in (1120 mm)	41.2 in (1045 mm)
2451AN3524	24 in (600 mm)	3500	85.1 in (2160 mm)	49.4 in (1255 mm)	42.6 in (1081 mm)

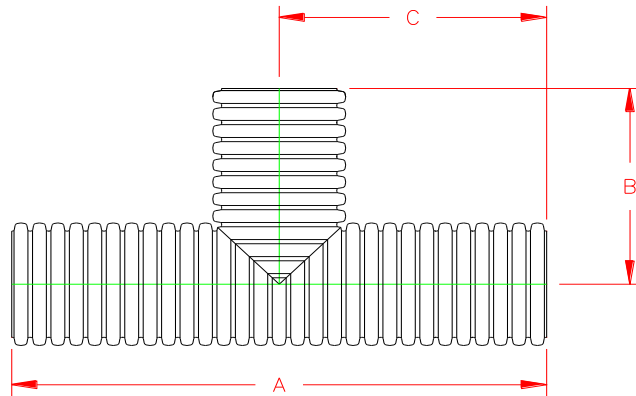
NOTE: ALL FITTINGS DIMENSIONS ARE FOR REFERENCE ONLY

© 2021 Advanced Drainage Systems, Inc.



DRAWING #:	5005	DATE
DRAWN BY:	CAS	01.06.2010
APPROVED BY:		
REVISIONS:	CAS	01.22.2020

STORMTECH DUAL WALL FABRICATED "SOIL TIGHT" SINGLE MANIFOLD
12" - 24" DIAMETER



PART #	PIPE SIZE	CHAMBER SIZE	A	B	C
1251AN4512	12 in (300 mm)	4500	109.2 in (2774 mm)	85.3 in (2167 mm)	54.6 in (1387 mm)
1551AN4515	15 in (375 mm)	4500	109.3 in (2776 mm)	89.4 in (2271 mm)	54.7 in (1389 mm)
1851AN4518	18 in (450 mm)	4500	109.3 in (2776 mm)	86.9 in (2207 mm)	54.7 in (1389 mm)
2451AN4524	24 in (600 mm)	4500	110.6 in (2809 mm)	86.1 in (2187 mm)	55.3 in (1405 mm)

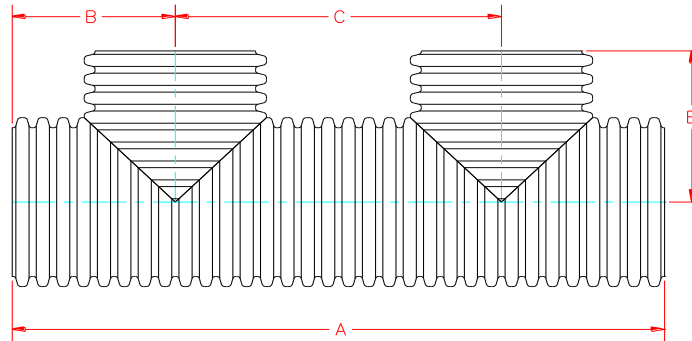
NOTE: ALL FITTINGS DIMENSIONS ARE FOR REFERENCE ONLY

© 2021 Advanced Drainage Systems, Inc.



DRAWING #:	5010	DATE
DRAWN BY:	KAM	2/28/2013
APPROVED BY:		
REVISIONS:	WLG	3/19/2013

**STORMTECH DUAL WALL FABRICATED "SOIL TIGHT" "PLAIN END" DOUBLE MANIFOLD
6" - 24" DIAMETER**



PART #	PIPE SIZE	CHAMBER SIZE	A	B	C
0652AN7406	6 in (150 mm)	SC-740	114.0 in (2896 mm)	28.5 in (724 mm)	57.0 in (1447 mm)
0852AN7408	8 in (200 mm)	SC-740	113.3 in (2877 mm)	28.3 in (719 mm)	56.6 in (1439 mm)
1052AN7410	10 in (250 mm)	SC-740	113.4 in (2880 mm)	28.4 in (720 mm)	56.7 in (1440 mm)
1252AN7412	12 in (300 mm)	SC-740	115.2 in (2926 mm)	28.8 in (732 mm)	57.6 in (1463 mm)
1552AN7415	15 in (375 mm)	SC-740	114.0 in (2895 mm)	28.5 in (724 mm)	57.0 in (1447 mm)
1852AN7418	18 in (450 mm)	SC-740	112.6 in (2859 mm)	28.1 in (715 mm)	56.3 in (1430 mm)
2452AN7424	24 in (600 mm)	SC-740	113.4 in (2880 mm)	28.4 in (720 mm)	56.7 in (1440 mm)

PART #	PIPE SIZE	CHAMBER SIZE	A	B	C
0652AN3106	6 in (150 mm)	SC-310	78.5 in (1995 mm)	19.6 in (499 mm)	39.3 in (997 mm)
0852AN3108	8 in (200 mm)	SC-310	78.7 in (1999 mm)	19.7 in (500 mm)	39.4 in (1001 mm)
1052AN3110	10 in (250 mm)	SC-310	79.4 in (2016 mm)	19.5 in (496 mm)	39.1 in (992 mm)
1252AN3112	12 in (300 mm)	SC-310	80.6 in (2048 mm)	20.2 in (512 mm)	40.3 in (1024 mm)

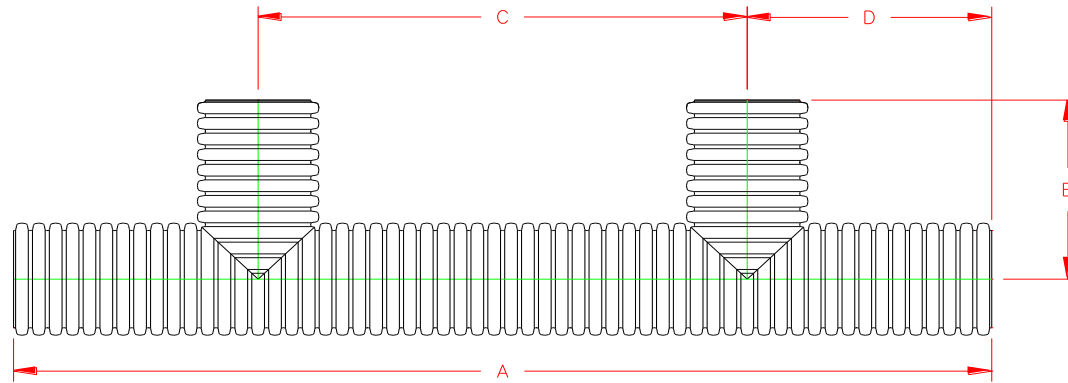
NOTE: ALL FITTINGS DIMENSIONS ARE FOR REFERENCE ONLY

© 2021 Advanced Drainage Systems, Inc.



DRAWING #:	5050	
DRAWN BY:	TJR	11.15.07
APPROVED BY:	TJR	11.15.07
REVISIONS:		

STORMTECH DUAL WALL FABRICATED "SOIL TIGHT" DOUBLE MANIFOLD
12" - 24" DIAMETER



PART #	PIPE SIZE	CHAMBER SIZE	A	B	C	D
1252AN3512	12 in (300 mm)	3500	168.0 in (4268 mm)	40.1 in (1018 mm)	84.0 in (2134 mm)	42.0 in (1067 mm)
1552AN3515	15 in (375 mm)	3500	168.1 in (4270 mm)	43.4 in (1101 mm)	84.1 in (2135 mm)	42.0 in (1068 mm)
1852AN3518	18 in (450 mm)	3500	164.6 in (4182 mm)	44.1 in (1120 mm)	82.3 in (2091 mm)	41.2 in (1045 mm)
2452AN3524	24 in (600 mm)	3500	170.1 in (4321 mm)	49.4 in (1255 mm)	85.1 in (2160 mm)	42.5 in (1080 mm)

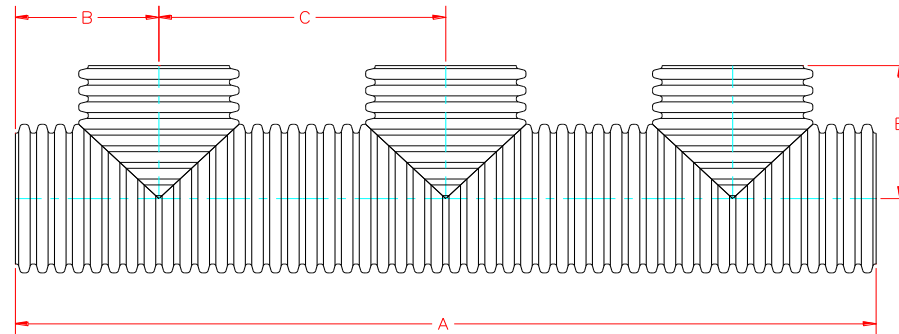
NOTE: ALL FITTINGS DIMENSIONS ARE FOR REFERENCE ONLY

© 2021 Advanced Drainage Systems, Inc.



DRAWING #:	5055	DATE
DRAWN BY:	CAS	01.06.2010
APPROVED BY:		
REVISIONS:	CAS	01.22.2010

**STORMTECH DUAL WALL FABRICATED "SOIL TIGHT" "PLAIN END" TRIPLE MANIFOLD
6" - 24" DIAMETER**



PART #	PIPE SIZE	CHAMBER SIZE	A	B	C
0653AN7406	6 in (150 mm)	SC -740	170.9 in (4342 mm)	28.6 in (727 mm)	57.0 in (1447 mm)
0853AN7408	8 in (200 mm)	SC -740	169.9 in (4316 mm)	28.3 in (719 mm)	56.6 in (1439 mm)
1053AN7410	10 in (250 mm)	SC -740	170.1 in (4321 mm)	28.4 in (720 mm)	56.7 in (1440 mm)
1253AN7412	12 in (300 mm)	SC -740	172.8 in (4389 mm)	28.8 in (732 mm)	57.6 in (1463 mm)
1553AN7415	15 in (375 mm)	SC -740	170.9 in (4342 mm)	28.5 in (724 mm)	57.0 in (1447 mm)
1853AN7418	18 in (450 mm)	SC -740	168.8 in (4289 mm)	28.1 in (715 mm)	56.3 in (1430 mm)
2453AN7424	24 in (600 mm)	SC -740	170.1 in (4321 mm)	28.4 in (720 mm)	56.7 in (1440 mm)

PART #	PIPE SIZE	CHAMBER SIZE	A	B	C
0653AN3106	6 in (150 mm)	SC-310	117.8 in (2992 mm)	19.6 in (499 mm)	39.3 in (997 mm)
0853AN3108	8 in (200 mm)	SC-310	118.1 in (2999 mm)	19.7 in (500 mm)	39.4 in (1000 mm)
1053AN3110	10 in (250 mm)	SC-310	117.2 in (2976 mm)	19.5 in (496 mm)	39.1 in (992 mm)
1253AN3112	12 in (300 mm)	SC-310	121.0 in (3072 mm)	20.1 in (511 mm)	40.3 in (1024 mm)

NOTE: ALL FITTINGS DIMENSIONS ARE FOR REFERENCE ONLY

© 2021 Advanced Drainage Systems, Inc.

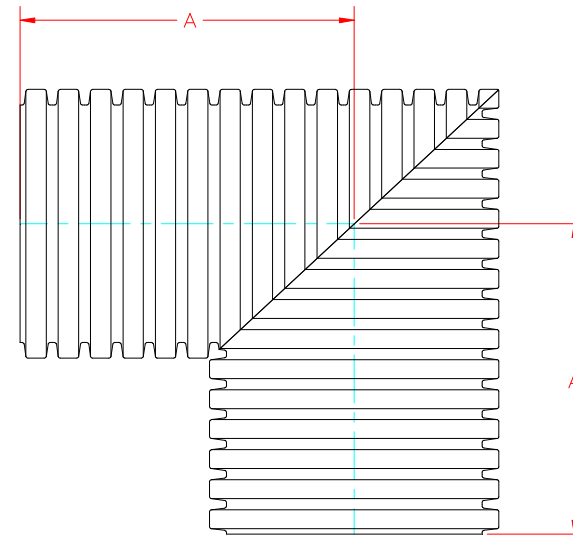


DRAWING #:	5100	
DRAWN BY:	TJR	11.15.07
APPROVED BY:	TJR	11.15.07
REVISIONS:		

**STORMTECH DUAL WALL FABRICATED "SOIL TIGHT" "PLAIN END" 90° MANIFOLD BEND
6" - 24" DIAMETER**

PART #	PIPE SIZE	CHAMBER SIZE	A
0698AN74	6 in (150 mm)	SC-740	28.6 in (727 mm)
0898AN74	8 in (200 mm)	SC-740	28.3 in (719 mm)
1098AN74	10 in (250 mm)	SC-740	28.4 in (720 mm)
1298AN74	12 in (300 mm)	SC-740	28.8 in (732 mm)
1598AN74	15 in (375 mm)	SC-740	28.5 in (724 mm)
1898AN74	18 in (450 mm)	SC-740	28.1 in (715 mm)
2498AN74	24 in (600 mm)	SC-740	28.4 in (720 mm)

PART #	PIPE SIZE	PIPE SIZE	A
0698AN31	6 in (150 mm)	SC-310	19.6 in (499 mm)
0898AN31	8 in (200 mm)	SC-310	18.7 in (475 mm)
1098AN31	10 in (250 mm)	SC-310	19.5 in (496 mm)
1298AN31	12 in (300 mm)	SC-310	18.6 in (472 mm)

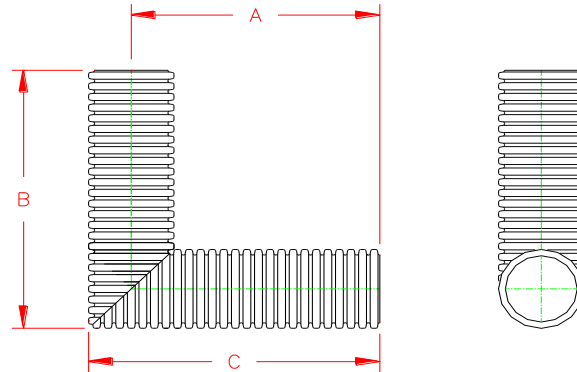


NOTE: ALL FITTINGS DIMENSIONS ARE FOR REFERENCE ONLY

© 2023 Advanced Drainage Systems, Inc.

 Advanced Drainage Systems, Inc.	DRAWING #:	5150
	DRAWN BY:	TJR 11.15.07
	APPROVED BY:	TJR 11.15.07
	REVISIONS:	JKL 01.28.25

**STORMTECH DUAL WALL FABRICATED "SOIL TIGHT" ELBOWS
12" - 24" DIAMETER**



PART #	PIPE SIZE	CHAMBER SIZE	A	B	C
1298AN3512	12 in (300 mm)	3500	42.0 in (1067 mm)	47.3 in (1201 mm)	48.5 in (1232 mm)
1598AN3515	15 in (375 mm)	3500	43.4 in (1101 mm)	52.1 in (1324 mm)	52.1 in (1324 mm)
1898AN3518	18 in (450 mm)	3500	41.2 in (1045 mm)	54.7 in (1389 mm)	54.7 in (1389 mm)
2498AN3524	24 in (600 mm)	3500	42.5 in (1080 mm)	63.3 in (1608 mm)	56.0 in (1423 mm)

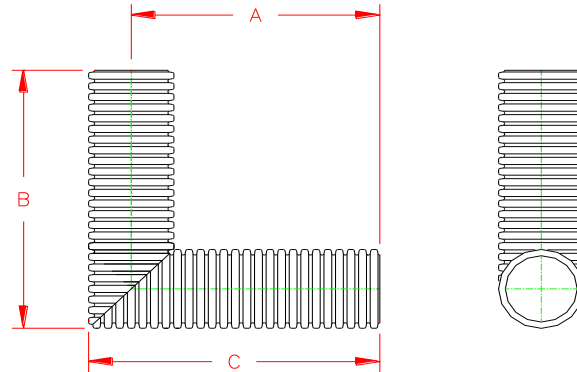
NOTE: ALL FITTINGS DIMENSIONS ARE FOR REFERENCE ONLY

© 2021 Advanced Drainage Systems, Inc.



DRAWING #:	5175	DATE
DRAWN BY:	CAS	01.06.2010
APPROVED BY:		
REVISIONS:	CAS	01.22.2010

**STORMTECH DUAL WALL FABRICATED "SOIL TIGHT" ELBOWS
12" - 24" DIAMETER**



PART #	PIPE SIZE	CHAMBER SIZE	A	B	C
1298AN4512	12 in (300 mm)	4500	54.6 in (1387 mm)	92.6 in (2352 mm)	61.4 in (1560 mm)
1598AN4515	15 in (375 mm)	4500	54.6 in (1387 mm)	99.3 in (2522 mm)	63.3 in (1608 mm)
1898AN4518	18 in (450 mm)	4500	54.6 in (1387 mm)	96.7 in (2456 mm)	64.5 in (1638 mm)
2498AN4524	24 in (600 mm)	4500	55.3 in (1405 mm)	101.4 in (2576 mm)	56.0 in (69 mm)

NOTE: ALL FITTINGS DIMENSIONS ARE FOR REFERENCE ONLY

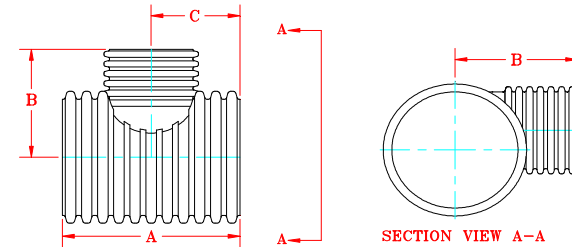
© 2021 Advanced Drainage Systems, Inc.



DRAWING #:	5195	DATE
DRAWN BY:	KAM	2/28/2013
APPROVED BY:		
REVISIONS:	WLG	3/19/2013

**STORMTECH DUAL WALL FABRICATED "SOIL TIGHT" "PLAIN END" REDUCING SINGLE MANIFOLD
8" - 24" DIAMETER**

PART #	PIPE SIZE	CHAMBER SIZE	A	B	C
0851AN3106	8" x 6" in (200 x 150 mm)	SC-310	37.4 in (950 mm)	11.4 in (289 mm)	19.7 in (500 mm)
1051AN3106	10" x 6" in (250 x 150 mm)	SC-310	39.1 in (992 mm)	12.4 in (315 mm)	19.5 in (496 mm)
1051AN3108	10" X 8" in (250 x 200 mm)	SC-310	39.1 in (992 mm)	13.7 in (348 mm)	19.5 in (496 mm)
1251AN3106	12" x 6" in (300 x 150 mm)	SC-310	37.1 in (942 mm)	14.4 in (366 mm)	20.2 in (512 mm)
1251AN3108	12" x 8" in (300 x 200 mm)	SC-310	37.1 in (942 mm)	15.7 in (399 mm)	20.2 in (512 mm)
1251AN3110	12" x 10" in (300 x 250 mm)	SC-310	37.1 in (942 mm)	16.6 in (421 mm)	20.2 in (512 mm)
1551AN3106	15" x 6" in (375 x 150 mm)	SC-310	38.9 in (988 mm)	13.4 in (341 mm)	19.9 in (504 mm)
1551AN3108	15" x 8" in (375 x 200 mm)	SC-310	38.9 in (988 mm)	15.5 in (394 mm)	19.9 in (504 mm)
1551AN3110	15" x 10" in (375 x 250 mm)	SC-310	38.9 in (988 mm)	16.4 in (415 mm)	19.9 in (504 mm)
1551AN3112	15" x 12" in (375 x 300 mm)	SC-310	38.9 in (988 mm)	18.4 in (467 mm)	19.9 in (504 mm)
1851AN3106	18" x 6" in (450 x 150 mm)	SC-310	38.2 in (970 mm)	17.4 in (442 mm)	20.1 in (511 mm)
1851AN3108	18" x 8" in (450 x 200 mm)	SC-310	38.2 in (970 mm)	18.7 in (475 mm)	20.1 in (511 mm)
1851AN3110	18" x 10" in (450 x 250 mm)	SC-310	38.2 in (970 mm)	19.6 in (497 mm)	20.1 in (511 mm)
1851AN3112	18" x 12" in (450 x 300 mm)	SC-310	38.2 in (970 mm)	21.6 in (549 mm)	20.1 in (511 mm)
2451AN3106	24" x 6" in (600 x 150 mm)	SC-310	37.6 in (955 mm)	19.7 in (501 mm)	20.5 in (520 mm)
2451AN3108	24" x 8" in (600 x 200 mm)	SC-310	37.6 in (955 mm)	22.2 in (563 mm)	20.5 in (520 mm)
2451AN3110	24" x 10" in (600 x 250 mm)	SC-310	37.6 in (955 mm)	22.6 in (575 mm)	20.5 in (520 mm)
2451AN3112	24" X 12" in (600 x 300 mm)	SC-310	37.6 in (955 mm)	24.6 in (625 mm)	20.5 in (520 mm)

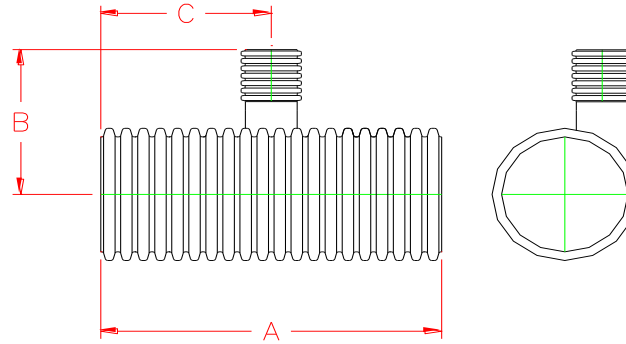


NOTE: ALL FITTINGS DIMENSIONS ARE FOR REFERENCE ONLY

© 2023 Advanced Drainage Systems, Inc.

 Advanced Drainage Systems, Inc.	DRAWING #:	5200
	DRAWN BY:	TJR 11.15.07
	APPROVED BY:	TJR 11.15.07
	REVISIONS:	JKL 01.28.25

**STORMTECH DUAL WALL FABRICATED "SOIL TIGHT" SINGLE REDUCING MANIFOLD
15"-24" DIAMETER (ECC)**



PART #	PIPE SIZE	CHAMBER SIZE	A	B	C
2451AN3512	24" X 12" in (600 x 300 mm)	3500	84.5 in (2147 mm)	46.6 in (1183 mm)	42.3 in (1183 mm)
2451AN3515	24" x 15" in (600 x 375 mm)	3500	84.5 in (2147 mm)	46.6 in (1184 mm)	42.25 (1184 mm)
2451AN3518	24" X 18" in (250 x 450 mm)	3500	84.5 in (2147 mm)	46.6 in (1184 mm)	42.25 (1184 mm)
1851AN3515	18" x 15" in (450 x 375 mm)	3500	82.3 in (2091 mm)	43.3 in (1099 mm)	41.16 (1045 mm)
1851AN3512	18" x 12" in (450 x 300 mm)	3500	82.3 in (2091 mm)	43.3 in (1099 mm)	41.16 (1099 mm)
1551AN3512	15" x 12" in (375 x 300 mm)	3500	84.1 in (2135 mm)	42.1 in (1069 mm)	42.05 (1069 mm)

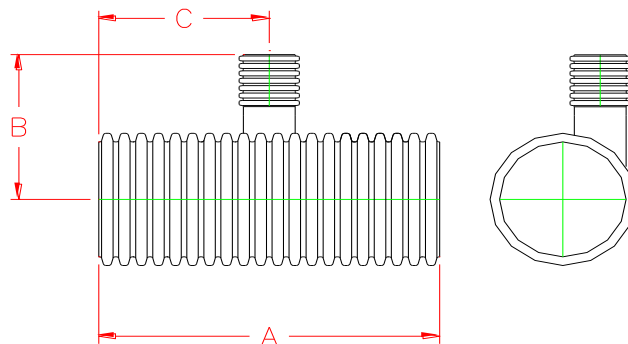
NOTE: ALL FITTINGS DIMENSIONS ARE FOR REFERENCE ONLY

© 2021 Advanced Drainage Systems, Inc.



DRAWING #:	5205	DATE
DRAWN BY:	CAS	01.06.2010
APPROVED BY:		
REVISIONS:	CAS	01.22.2010

**STORMTECH DUAL WALL FABRICATED "SOIL TIGHT" SINGLE REDUCING MANIFOLD
15"-24" DIAMETER (ECC)**



PART #	PIPE SIZE	CHAMBER SIZE	A	B	C
2451AN4512	24" X 12" in (600 x 300 mm)	4500	110.6 in (2809 mm)	84.6 in (2149 mm)	55.1 in (1183 mm)
2451AN4515	24" x 15" in (600 x 375 mm)	4500	110.6 in (2809 mm)	86.3 in (2192 mm)	55.1 in (1184 mm)
2451AN4518	24" X 18" in (250 x 450 mm)	4500	110.6 in (2809 mm)	84.8 in (2154 mm)	55.1 in (1184 mm)
1851AN4515	18" x 15" in (450 x 375 mm)	4500	109.3 in (2776 mm)	86.4 in (2195 mm)	54.9 in (1394 mm)
1851AN4512	18" x 12" in (450 x 300 mm)	4500	109.3 in (2776 mm)	85.9 in (2182 mm)	54.9 in (1099 mm)
1551AN4512	15" x 12" in (375 x 300 mm)	4500	109.3 in (2776 mm)	90.1 in (2289 mm)	54.4 in (1069 mm)

NOTE: ALL FITTINGS DIMENSIONS ARE FOR REFERENCE ONLY

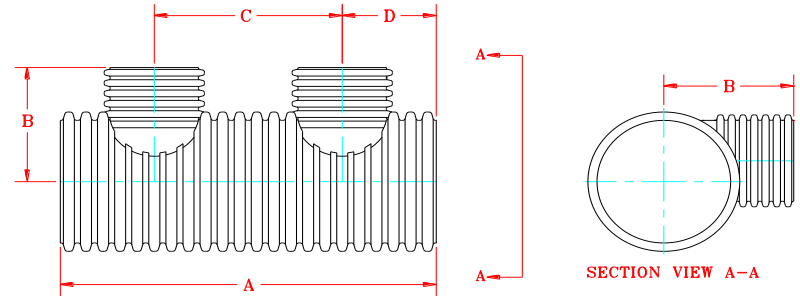
© 2021 Advanced Drainage Systems, Inc.



DRAWING #:	5210	DATE
DRAWN BY:	KAM	2/28/2013
APPROVED BY:		
REVISIONS:		

**STORMTECH DUAL WALL FABRICATED "SOIL TIGHT" "PLAIN END" REDUCING DOUBLE MANIFOLD
8" - 24" DIAMETER**

PART #	PIPE SIZE	CHAMBER SIZE	A	B	C	D
0852AN3106	8" x 6" in (200 x 150 mm)	SC-310	78.7 in (1999 mm)	11.4 in (289 mm)	39.4 in (1000 mm)	19.7 in (500 mm)
1052AN3106	10" x 6" in (250 x 150 mm)	SC-310	78.1 in (1984 mm)	12.4 in (315 mm)	39.1 in (992 mm)	19.5 in (496 mm)
1052AN3108	10" X 8" in (250 x 200 mm)	SC-310	78.1 in (1984 mm)	13.7 in (348 mm)	39.1 in (992 mm)	19.5 in (496 mm)
1252AN3106	12" x 6" in (300 x 150 mm)	SC-310	80.6 in (2048 mm)	14.4 in (366 mm)	40.3 in (1024 mm)	20.2 in (512 mm)
1252AN3108	12" x 8" in (300 x 200 mm)	SC-310	80.6 in (2048 mm)	15.7 in (399 mm)	40.3 in (1024 mm)	20.2 in (512 mm)
1252AN3110	12" x 10" in (300 x 250 mm)	SC-310	80.6 in (2048 mm)	16.6 in (421 mm)	40.3 in (1024 mm)	20.2 in (512 mm)
1552AN3106	15" x 6" in (375 x 150 mm)	SC-310	77.7 in (1974 mm)	13.4 in (341 mm)	38.9 in (987 mm)	19.9 in (504 mm)
1552AN3108	15" x 8" in (375 x 200 mm)	SC-310	77.7 in (1974 mm)	15.5 in (394 mm)	38.9 in (987 mm)	19.9 in (504 mm)
1552AN3110	15" x 10" in (375 x 250 mm)	SC-310	77.7 in (1974 mm)	16.4 in (415 mm)	38.9 in (987 mm)	19.9 in (504 mm)
1552AN3112	15" x 12" in (375 x 300 mm)	SC-310	77.7 in (1974 mm)	18.4 in (467 mm)	38.9 in (987 mm)	19.9 in (504 mm)
1852AN3106	18" x 6" in (450 x 150 mm)	SC-310	80.4 in (2042 mm)	17.4 in (442 mm)	40.2 in (1021 mm)	20.1 in (511 mm)
1852AN3108	18" x 8" in (450 x 200 mm)	SC-310	80.4 in (2042 mm)	18.7 in (475 mm)	40.2 in (1021 mm)	20.1 in (511 mm)
1852AN3110	18" x 10" in (450 x 250 mm)	SC-310	80.4 in (2042 mm)	19.6 in (497 mm)	40.2 in (1021 mm)	20.1 in (511 mm)
1852AN3112	18" x 12" in (450 x 300 mm)	SC-310	80.4 in (2042 mm)	21.6 in (549 mm)	40.2 in (1021 mm)	20.1 in (511 mm)
2452AN3106	24" x 6" in (600 x 150 mm)	SC-310	81.9 in (2080 mm)	19.7 in (501 mm)	41.0 in (1040 mm)	20.5 in (520 mm)
2452AN3108	24" x 8" in (600 x 200 mm)	SC-310	80.9 in (2055 mm)	22.2 in (563 mm)	41.0 in (1040 mm)	20.5 in (520 mm)
2452AN3110	24" x 10" in (600 x 250 mm)	SC-310	81.9 in (2080 mm)	22.6 in (575 mm)	41.0 in (1040 mm)	20.5 in (520 mm)
2452AN3112	24" X 12" in (600 x 300 mm)	SC-310	81.9 in (2080 mm)	24.6 in (625 mm)	41.0 in (1040 mm)	20.5 in (520 mm)



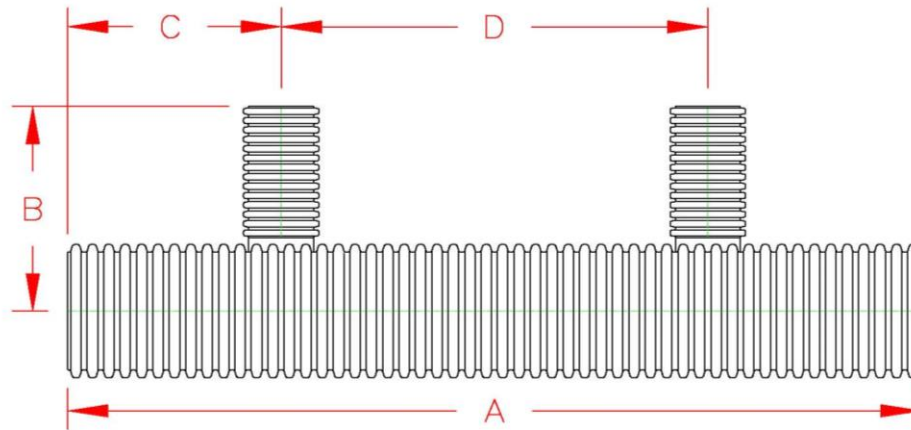
NOTE: ALL FITTINGS DIMENSIONS ARE FOR REFERENCE ONLY

© 2021 Advanced Drainage Systems, Inc.



DRAWING #:	5250	
DRAWN BY:	TJR	11.15.07
APPROVED BY:	TJR	11.15.07
REVISIONS:		

**STORMTECH DUAL WALL FABRICATED "SOIL TIGHT" DOUBLE REDUCING MANIFOLD
15"-24" DIAMETER (ECC)**



PART #	PIPE SIZE	CHAMBER SIZE	A	B	C	D
1552AN3512	15" x 12" in (375 x 300 mm)	3500	168.2 in (4272 mm)	42.1 in (1069 mm)	42.1 in (1068 mm)	84.1 in (2136 mm)
1852AN3512	18" x 12" in (450 x 300 mm)	3500	170.6 in (4333 mm)	43.3 in (1099 mm)	43.3 in (1100 mm)	85.3 in (2167 mm)
1852AN3515	18" x 15" in (450 x 375 mm)	3500	170.6 in (4333 mm)	43.3 in (1099 mm)	43.3 in (1099 mm)	85.3 in (2167 mm)
2452AN3512	24" X 12" in (600 x 300 mm)	3500	169.0 in (4293 mm)	46.6 in (1183 mm)	42.3 in (1073 mm)	84.5 in (2146 mm)
2452AN3515	24" x 15" in (600 x 375 mm)	3500	169.0 in (4293 mm)	46.6 in (1183 mm)	42.3 in (1074 mm)	84.5 in (2146 mm)
2452AN3518	24" X 18" in (250 x 450 mm)	3500	169.0 in (4293 mm)	46.6 in (1184 mm)	42.7 in (1085 mm)	84.5 in (2146 mm)

NOTE: ALL FITTINGS DIMENSIONS ARE FOR REFERENCE ONLY

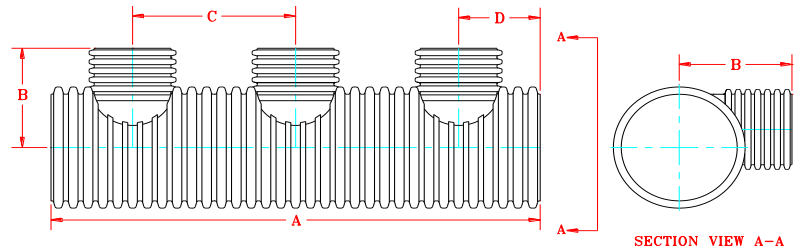
© 2021 Advanced Drainage Systems, Inc.



DRAWING #:	5255	DATE	
DRAWN BY:	CAS		01.06.2010
APPROVED BY:			
REVISIONS:	CAS		01.22.2010

**STORMTECH DUAL WALL FABRICATED "SOIL TIGHT" "PLAIN END" REDUCING TRIPLE MANIFOLD
8" - 24" DIAMETER**

PART #	PIPE SIZE	CHAMBER SIZE	A	B	C	D
0853AN3106	8" x 6" in (200 x 150 mm)	SC-310	118.1 in (2999 mm)	11.4 in (289 mm)	39.4 in (1000 mm)	19.7 in (500 mm)
1053AN3106	10" x 6" in (250 x 150 mm)	SC-310	117.2 in (2976 mm)	12.4 in (315 mm)	39.1 in (992 mm)	19.5 in (496 mm)
1053AN3108	10" X 8" in (250 x 200 mm)	SC-310	117.2 in (2976 mm)	12.4 in (315 mm)	39.1 in (992 mm)	19.5 in (496 mm)
1253AN3106	12" x 6" in (300 x 150 mm)	SC-310	121.0 in (3072 mm)	14.4 in (366 mm)	40.3 in (1024 mm)	20.2 in (512 mm)
1253AN3108	12" x 8" in (300 x 200 mm)	SC-310	121.0 in (3072 mm)	15.7 in (399 mm)	40.3 in (1024 mm)	20.2 in (512 mm)
1253AN3110	12" x 10" in (300 x 250 mm)	SC-310	121.0 in (3072 mm)	16.6 in (421 mm)	40.3 in (1024 mm)	20.2 in (512 mm)
1553AN3106	15" x 6" in (375 x 150 mm)	SC-310	116.6 in (2962 mm)	13.4 in (341 mm)	38.9 in (987 mm)	19.9 in (504 mm)
1553AN3108	15" x 8" in (375 x 200 mm)	SC-310	116.6 in (2962 mm)	15.5 in (394 mm)	38.9 in (987 mm)	19.9 in (504 mm)
1553AN3110	15" x 10" in (375 x 250 mm)	SC-310	116.6 in (2962 mm)	16.4 in (415 mm)	38.9 in (987 mm)	19.9 in (504 mm)
1553AN3112	15" x 12" in (375 x 300 mm)	SC-310	116.6 in (2962 mm)	18.4 in (467 mm)	38.9 in (987 mm)	19.9 in (504 mm)
1853AN3106	18" x 6" in (450 x 150 mm)	SC-310	120.6 in (3063 mm)	17.4 in (442 mm)	40.2 in (1021 mm)	20.1 in (511 mm)
1853AN3108	18" x 8" in (450 x 200 mm)	SC-310	120.6 in (3063 mm)	18.7 in (475 mm)	40.2 in (1021 mm)	20.1 in (511 mm)
1853AN3110	18" x 10" in (450 x 250 mm)	SC-310	120.6 in (3063 mm)	19.6 in (497 mm)	40.2 in (1021 mm)	20.1 in (511 mm)
1853AN3112	18" x 12" in (450 x 300 mm)	SC-310	120.6 in (3063 mm)	21.6 in (549 mm)	40.2 in (1021 mm)	20.1 in (511 mm)
2453AN3106	24" x 6" in (600 x 150 mm)	SC-310	122.9 in (3120 mm)	19.7 in (501 mm)	41.0 in (1040 mm)	20.5 in (520 mm)
2453AN3108	24" x 8" in (600 x 200 mm)	SC-310	122.9 in (3120 mm)	22.2 in (563 mm)	41.0 in (1040 mm)	20.5 in (520 mm)
2453AN3110	24" x 10" in (600 x 250 mm)	SC-310	122.9 in (3120 mm)	22.6 in (575 mm)	41.0 in (1040 mm)	20.5 in (520 mm)
2453AN3112	24" X 12" in (600 x 300 mm)	SC-310	122.9 in (3120 mm)	24.6 in (625 mm)	41.0 in (1040 mm)	20.5 in (520 mm)



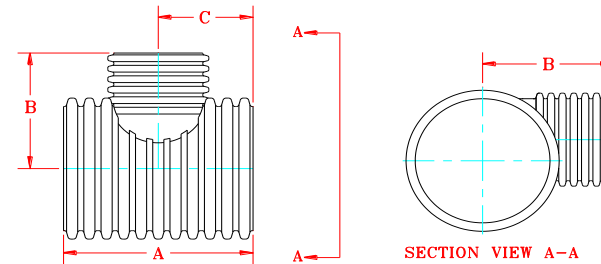
NOTE: ALL FITTINGS DIMENSIONS ARE FOR REFERENCE ONLY

© 2021 Advanced Drainage Systems, Inc.

 Advanced Drainage Systems, Inc.™	DRAWING #:	5300
	DRAWN BY:	TJR 11.15.07
	APPROVED BY:	TJR 11.15.07
	REVISIONS:	

**STORMTECH DUAL WALL FABRICATED "SOIL TIGHT" "PLAIN END" REDUCING SINGLE MANIFOLD
8" - 18" DIAMETER**

PART #	PIPE SIZE (inches x inches)	CHAMBER SIZE	A (inches)	B (inches)	C (inches)
0851AN7406	8" x 6" in (200 x 150 mm)	SC-740	56.6 in (1439 mm)	10.0 in (253 mm)	28.3 in (719 mm)
1051AN7406	10" x 6" in (250 x 150 mm)	SC-740	56.7 in (1440 mm)	11.1 in (281 mm)	28.4 in (720 mm)
1051AN7406	10" X 8" in (250 x 200 mm)	SC-740	56.7 in (1440 mm)	12.4 in (315 mm)	28.4 in (720 mm)
1251AN7406	12" x 6" in (300 x 150 mm)	SC-740	57.6 in (1463 mm)	12.6 in (321 mm)	28.8 in (732 mm)
1251AN7408	12" x 8" in (300 x 200 mm)	SC-740	57.6 in (1463 mm)	14.0 in (354 mm)	28.8 in (732 mm)
1251AN7410	12" x 10" in (300 x 250 mm)	SC-740	57.6 in (1463 mm)	14.8 in (376 mm)	28.8 in (732 mm)
1551AN7406	15" x 6" in (375 x 150 mm)	SC-740	57.0 in (1447 mm)	15.4 in (391 mm)	28.5 in (724 mm)
1551AN7408	15" x 8" in (375 x 200 mm)	SC-740	57.0 in (1447 mm)	16.7 in (425 mm)	28.5 in (724 mm)
1551AN7410	15" x 10" in (375 x 250 mm)	SC-740	57.0 in (1447 mm)	17.6 in (446 mm)	28.5 in (724 mm)
1551AN7412	15" x 12" in (375 x 300 mm)	SC-740	57.0 in (1447 mm)	19.6 in (498 mm)	28.5 in (724 mm)
1851AN7406	18" x 6" in (450 x 150 mm)	SC-740	56.3 in (1430 mm)	17.4 in (442 mm)	28.1 in (715 mm)
1851AN7408	18" x 8" in (450 x 200 mm)	SC-740	56.3 in (1430 mm)	18.7 in (475 mm)	28.1 in (715 mm)
1851AN7410	18" x 10" in (450 x 250 mm)	SC-740	56.3 in (1430 mm)	17.0 in (431 mm)	28.1 in (715 mm)
1851AN7412	18" x 12" in (450 x 300 mm)	SC-740	56.3 in (1430 mm)	21.6 in (549 mm)	28.1 in (715 mm)
1851AN7415	18" x 15" in (450 x 375 mm)	SC-740	56.3 in (1430 mm)	22.4 in (568 mm)	28.1 in (715 mm)



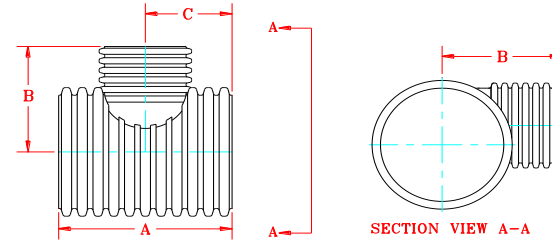
NOTE: ALL FITTINGS DIMENSIONS ARE FOR REFERENCE ONLY

© 2021 Advanced Drainage Systems, Inc.

	DRAWING #:	5350
	DRAWN BY:	TJR 11.15.07
	APPROVED BY:	TJR 11.15.07
	REVISIONS:	

**STORMTECH DUAL WALL FABRICATED "SOIL TIGHT" "PLAIN END" REDUCING SINGLE MANIFOLD
24" - 48" DIAMETER**

PART #	PIPE SIZE	CHAMBER SIZE	A	B	C
2451AN7406	24" x 6" in (600 x 150 mm)	SC-740	56.7 in (1440 mm)	20.4 in (518 mm)	28.9 in (734 mm)
2451AN7408	24" x 8" in (600 x 200 mm)	SC-740	56.7 in (1440 mm)	21.7 in (552 mm)	28.4 in (720 mm)
2451AN7410	24" X 10" in (600 x 250 mm)	SC-740	56.7 in (1440 mm)	22.6 in (573 mm)	28.4 in (720 mm)
2451AN7412	24" x12" in (600 x 300 mm)	SC-740	56.7 in (1440 mm)	24.6 in (625 mm)	28.4 in (720 mm)
2451AN7415	24" x 15" in (600 x 375 mm)	SC-740	56.7 in (1440 mm)	25.4 in (644 mm)	28.4 in (720 mm)
2451AN7418	24" x 18" in (600 x 450 mm)	SC-740	56.7 in (1440 mm)	25.7 in (653 mm)	28.4 in (720 mm)
3051AN7406	30" x 6" in (750 x 150 mm)	SC-740	57.7 in (1465 mm)	25.4 in (645 mm)	28.8 in (733 mm)
3051AN7412	30" x 12" in (750 x 300 mm)	SC-740	57.7 in (1465 mm)	29.6 in (752 mm)	28.8 in (733 mm)
3051AN7415	30" x 15" in (750 x 375 mm)	SC-740	57.7 in (1465 mm)	30.4 in (772 mm)	28.8 in (733 mm)
3051AN7418	30" x 18" in (750 x 450 mm)	SC-740	57.7 in (1465 mm)	30.7 in (780 mm)	28.8 in (733 mm)
3051AN7424	30" x 24 in (750 x 600 mm)	SC-740	57.7 in (1465 mm)	27.0 in (686 mm)	28.8 in (733 mm)
3651AN7412	36" x 12" in (900 x 300 mm)	SC-740	57.8 in (1467 mm)	31.6 in (803 mm)	28.9 in (734 mm)
3651AN7415	36" x 15" in (900 x 375 mm)	SC-740	57.8 in (1467 mm)	32.4 in (823 mm)	19.5 in (495 mm)
3651AN7418	36" x 18" in (900 x 450 mm)	SC-740	57.8 in (1467 mm)	32.7 in (831 mm)	28.9 in (734 mm)
3651AN7424	36" x 24" in (900 x 600 mm)	SC-740	57.8 in (1467 mm)	31.3 in (795 mm)	28.9 in (734 mm)



PART #	PIPE SIZE	CHAMBER	A	B	C
4251AN7412	42" x 12" in (1050 x 300 mm)	SC-740	57.1 in (1450 mm)	34.6 in (879 mm)	28.6 in (725 mm)
4251AN7415	42" x 15" in (1050 x 375 mm)	SC-740	57.1 in (1450 mm)	35.4 in (899 mm)	28.6 in (725 mm)
4251AN7418	42" x 18" in (1050 x 450 mm)	SC-740	57.1 in (1450 mm)	35.7 in (907 mm)	28.6 in (725 mm)
4251AN7424	42" x24" in (1050 x 600 mm)	SC-740	57.1 in (1450 mm)	34.3 in (871 mm)	28.6 in (725 mm)
4851AN7412	48" x 12" in (1200 x 300 mm)	SC-740	57.8 in (1467 mm)	37.6 in (955 mm)	28.9 in (734 mm)
4851AN7415	48" x 15 in (1200 x 375 mm)	SC-740	57.8 in (1467 mm)	38.4 in (975 mm)	28.9 in (734 mm)
4851AN7418	48" x 18" in (1200 x 450 mm)	SC-740	57.8 in (1467 mm)	38.7 in (983 mm)	28.9 in (734 mm)
4851AN7424	48" x 24" in (1200 x 600 mm)	SC-740	57.8 in (1467 mm)	37.3 in (947 mm)	28.9 in (734 mm)

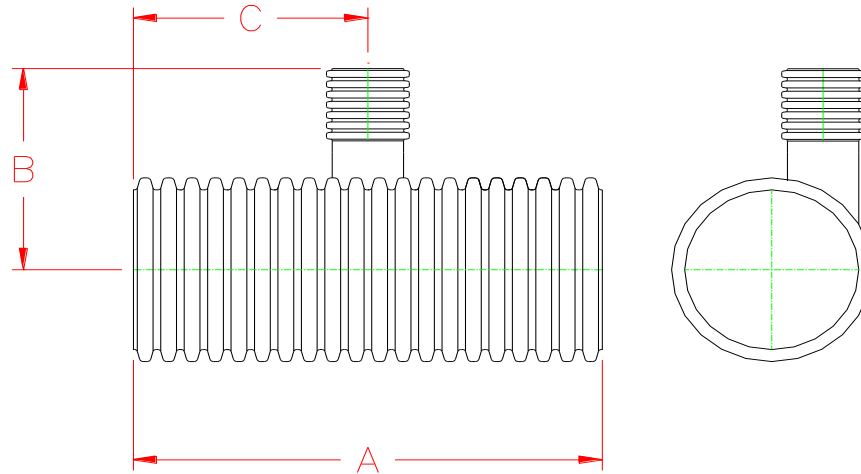
NOTE: ALL FITTINGS DIMENSIONS ARE FOR REFERENCE ONLY

© 2021 Advanced Drainage Systems, Inc.



DRAWING #:	5400	
DRAWN BY:	TJR	11.15.07
APPROVED BY:	TJR	11.15.07
REVISIONS:		

**STORMTECH DUAL WALL FABRICATED "SOIL TIGHT" SINGLE REDUCING MANIFOLD
30" & 36" DIAMETER (ECC)**



PART #	PIPE SIZE	CHAMBER SIZE	A	B	C
3051AN3512	30" X 12" in (750 x 300 mm)	3500	85.7 in (2177 mm)	51.3 in (1303 mm)	42.8 in (1088 mm)
3051AN3515	30" x 15" in (750 x 375 mm)	3500	85.7 in (2177 mm)	50.2 in (1276 mm)	42.9 in (1088 mm)
3051AN3518	30" X 18" in (750 x 450 mm)	3500	85.7 in (2177 mm)	50.2 in (1276 mm)	42.9 in (1088 mm)
3051AN3524	30" x 24" in (750 x 600 mm)	3500	85.7 in (2177 mm)	50.8 in (1291 mm)	42.9 in (1088 mm)
3651AN3512	36" x 12" in (900 x 300 mm)	3500	83.7 in (2127 mm)	53.8 in (1367 mm)	41.8 in (1063 mm)
3651AN3515	36" x 15" in (900 x 375 mm)	3500	83.7 in (2127 mm)	53.8 in (1367 mm)	41.9 in (1063 mm)
3651AN3518	36" x 18" in (900 x 450 mm)	3500	83.7 in (2127 mm)	53.8 in (1367 mm)	41.9 in (1063 mm)
3651AN3524	36" x 24" in (900 x 600 mm)	3500	83.7 in (2127 mm)	54.4 in (1383 mm)	41.9 in (1063 mm)

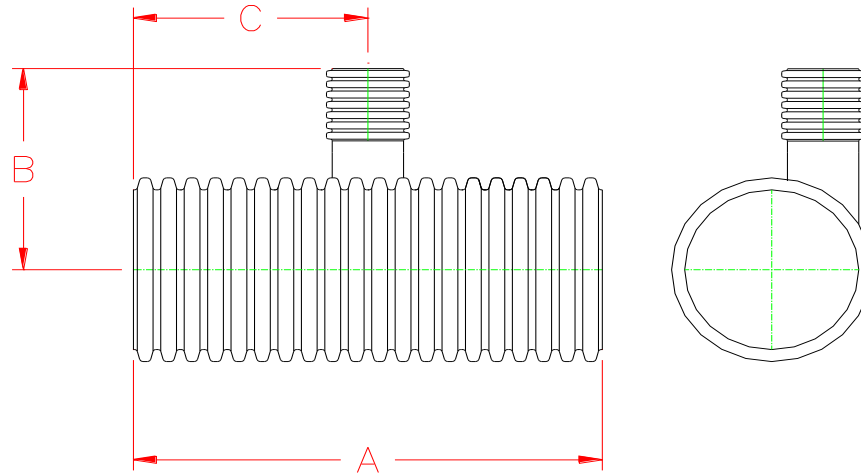
NOTE: ALL FITTINGS DIMENSIONS ARE FOR REFERENCE ONLY

© 2021 Advanced Drainage Systems, Inc.



DRAWING #:	5415	DATE
DRAWN BY:	CAS	01.06.2010
APPROVED BY:		
REVISIONS:		

**STORMTECH DUAL WALL FABRICATED "SOIL TIGHT" SINGLE REDUCING MANIFOLD
30" & 36" DIAMETER (ECC)**



PART #	PIPE SIZE	CHAMBER SIZE	A	B	C
3051AN4512	30" X 12" in (750 x 300 mm)	4500	106.1 in (2695 mm)	84.9 in (2156 mm)	53.5 in (1359 mm)
3051AN4515	30" x 15" in (750 x 375 mm)	4500	106.1 in (2695 mm)	80.5 in (2045 mm)	53.5 in (1359 mm)
3051AN4518	30" X 18" in (750 x 450 mm)	4500	106.1 in (2695 mm)	81.2 in (2062 mm)	53.5 in (1359 mm)
3051AN4524	30" x 24" in (750 x 600 mm)	4500	106.1 in (2695 mm)	80.7 in (2050 mm)	53.5 in (1359 mm)
3651AN4512	36" x 12" in (900 x 300 mm)	4500	110.2 in (2799 mm)	78.3 in (1989 mm)	55.1 in (1400 mm)
3651AN4515	36" x 15" in (900 x 375 mm)	4500	110.2 in (2799 mm)	79.3 in (2014 mm)	55.1 in (1400 mm)
3651AN4518	36" x 18" in (900 x 450 mm)	4500	110.2 in (2799 mm)	77.7 in (1974 mm)	55.1 in (1400 mm)
3651AN4524	36" x 24" in (900 x 600 mm)	4500	110.2 in (2799 mm)	78.1 in (1984 mm)	55.1 in (1400 mm)

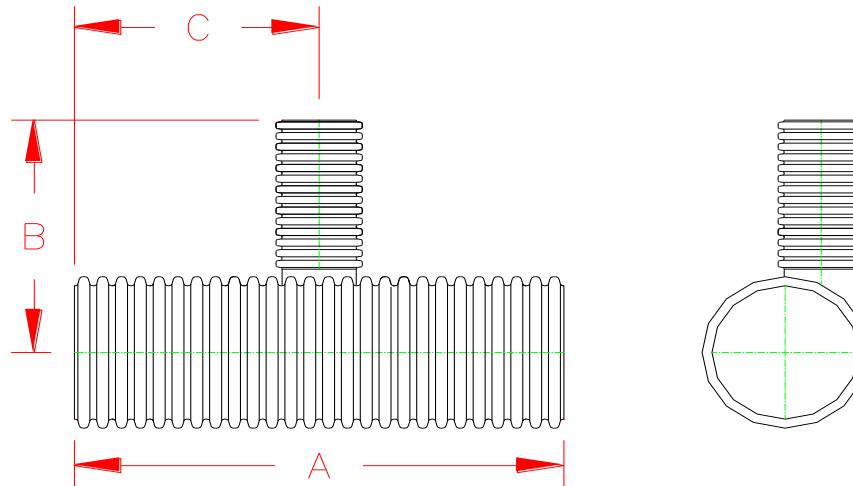
NOTE: ALL FITTINGS DIMENSIONS ARE FOR REFERENCE ONLY

© 2021 Advanced Drainage Systems, Inc.



DRAWING #:	5420	DATE
DRAWN BY:	KAM	2/28/2013
APPROVED BY:		
REVISIONS:		

STORMTECH DUAL WALL FABRICATED "SOIL TIGHT" SINGLE REDUCING MANIFOLD
42" & 48" DIAMETER (ECC)



PART #	PIPE SIZE	CHAMBER SIZE	A	B	C
4251AN3512	42" X 12" in (1050 x 300 mm)	3500	82.2 in (2088 mm)	56.5 in (1436 mm)	41.1 in (1044 mm)
4251AN3515	42" x 15" in (1050 x 375 mm)	3500	82.2 in (2088 mm)	56.6 in (1436 mm)	41.1 in (1044 mm)
4251AN3518	42" X 18" in (1050 x 450 mm)	3500	82.2 in (2088 mm)	56.5 in (1436 mm)	41.1 in (1044 mm)
4251AN3524	42" x 24" in (1050 x 600 mm)	3500	82.2 in (2088 mm)	57.1 in (1451 mm)	41.1 in (1044 mm)
4851AN3512	48" X 12" in (1200 x 300 mm)	3500	83.7 in (2127 mm)	59.5 in (1511 mm)	41.9 in (1063 mm)
4851AN3515	48" x 15" in (1200 x 375 mm)	3500	83.7 in (2127 mm)	59.5 in (1510 mm)	41.9 in (1063 mm)
4851AN3518	48" X 18" in (1200 x 450 mm)	3500	83.7 in (2127 mm)	59.5 in (1511 mm)	41.9 in (1063 mm)
4851AN3524	48" x 24" in (1200 x 600 mm)	3500	83.7 in (2127 mm)	60.1 in (1526 mm)	41.9 in (1063 mm)

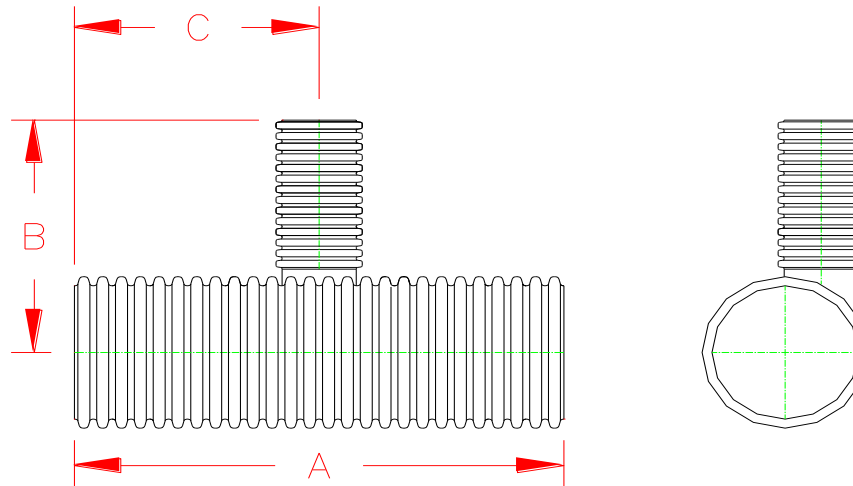
NOTE: ALL FITTINGS DIMENSIONS ARE FOR REFERENCE ONLY

© 2021 Advanced Drainage Systems, Inc.



DRAWING #:	5430	DATE
DRAWN BY:	CAS	01.06.2010
APPROVED BY:		
REVISIONS:		

**STORMTECH DUAL WALL FABRICATED "SOIL TIGHT" SINGLE REDUCING MANIFOLD
42" & 48" DIAMETER (ECC)**



PART #	PIPE SIZE	CHAMBER SIZE	A	B	C
4251AN4512	42" X 12" in (1050 x 300 mm)	4500	109.0 in (2769 mm)	74.5 in (1892 mm)	54.5 in (1384 mm)
4251AN4515	42" x 15" in (1050 x 375 mm)	4500	109.0 in (2769 mm)	74.4 in (1890 mm)	54.5 in (1384 mm)
4251AN4518	42" X 18" in (1050 x 450 mm)	4500	109.0 in (2769 mm)	74.8 in (1900 mm)	54.5 in (1384 mm)
4251AN4524	42" x 24" in (1050 x 600 mm)	4500	109.0 in (2769 mm)	74.3 in (1887 mm)	54.5 in (1384 mm)
4851AN4512	48" X 12" in (1200 x 300 mm)	4500	110.2 in (2799 mm)	72.3 in (1836 mm)	55.1 in (1400 mm)
4851AN4515	48" x 15" in (1200 x 375 mm)	4500	110.2 in (2799 mm)	71.3 in (1811 mm)	55.1 in (1400 mm)
4851AN4518	48" X 18" in (1200 x 450 mm)	4500	110.2 in (2799 mm)	73.1 in (1857 mm)	55.1 in (1400 mm)
4851AN4524	48" x 24" in (1200 x 600 mm)	4500	110.2 in (2799 mm)	72.2 in (1834 mm)	55.1 in (1400 mm)

NOTE: ALL FITTINGS DIMENSIONS ARE FOR REFERENCE ONLY

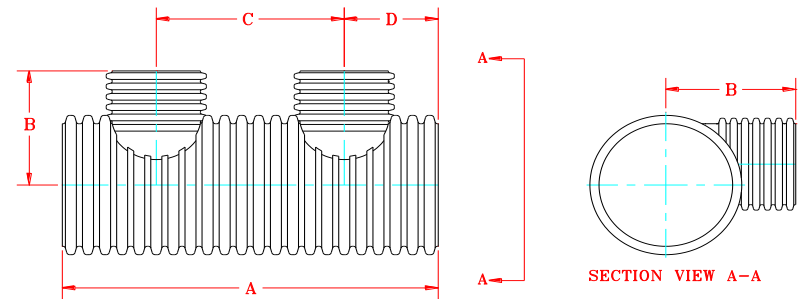
© 2021 Advanced Drainage Systems, Inc.



DRAWING #:	5440	DATE
DRAWN BY:	KAM	2/28/2013
APPROVED BY:		
REVISIONS:		

**STORMTECH DUAL WALL FABRICATED "SOIL TIGHT" "PLAIN END" REDUCING DOUBLE MANIFOLD
8" - 18" DIAMETER**

PART #	PIPE SIZE	CHAMBER SIZE	A	B	C	D
0852AN7406	8" x 6" in (200 x 150 mm)	SC-740	113.3 in (2877 mm)	10.0 in (253 mm)	56.6 in (1439 mm)	28.3 in (719 mm)
1052AN7406	10" x 6" in (250 x 150 mm)	SC-740	113.4 in (2880 mm)	11.1 in (281 mm)	56.7 in (1440 mm)	28.4 in (720 mm)
1052AN7408	10" X 8" in (250 x 200 mm)	SC-740	113.4 in (2880 mm)	12.4 in (315 mm)	56.7 in (1440 mm)	28.4 in (720 mm)
1252AN7406	12" x 6" in (300 x 150 mm)	SC-740	115.2 in (2926 mm)	12.6 in (321 mm)	57.6 in (1463 mm)	28.8 in (732 mm)
1252AN7408	12" x 8" in (300 x 200 mm)	SC-740	115.2 in (2926 mm)	14.0 in (354 mm)	57.6 in (1463 mm)	28.8 in (732 mm)
1252AN7410	12" x 10" in (300 x 250 mm)	SC-740	115.2 in (2926 mm)	14.8 in (376 mm)	57.6 in (1463 mm)	28.8 in (732 mm)
1552AN7406	15" x 6" in (375 x 150 mm)	SC-740	114.0 in (2895 mm)	15.4 in (391 mm)	57.0 in (1447 mm)	28.5 in (724 mm)
1552AN7408	15" x 8" in (375 x 200 mm)	SC-740	114.0 in (2895 mm)	16.7 in (425 mm)	57.0 in (1447 mm)	28.5 in (724 mm)
1552AN7410	15" x 10" in (375 x 250 mm)	SC-740	114.0 in (2895 mm)	17.6 in (446 mm)	57.0 in (1447 mm)	28.5 in (724 mm)
1552AN7412	15" x 12" in (375 x 300 mm)	SC-740	114.0 in (2895 mm)	19.6 in (498 mm)	57.0 in (1447 mm)	28.5 in (724 mm)
1852AN7406	18" x 6" in (450 x 150 mm)	SC-740	112.6 in (2859 mm)	17.4 in (442 mm)	56.3 in (1430 mm)	28.1 in (715 mm)
1852AN7408	18" x 8" in (450 x 200 mm)	SC-740	112.6 in (2859 mm)	18.7 in (475 mm)	56.3 in (1430 mm)	28.1 in (715 mm)
1852AN7410	18" x 10" in (450 x 250 mm)	SC-740	112.6 in (2859 mm)	19.6 in (497 mm)	56.3 in (1430 mm)	28.1 in (715 mm)
1852AN7412	18" x 12" in (450 x 300 mm)	SC-740	112.6 in (2859 mm)	21.6 in (549 mm)	56.3 in (1430 mm)	28.1 in (715 mm)
1852AN7415	18" x 15" in (450 x 375 mm)	SC-740	112.6 in (2859 mm)	22.4 in (568 mm)	56.3 in (1430 mm)	28.1 in (715 mm)



NOTE: ALL FITTINGS DIMENSIONS ARE FOR REFERENCE ONLY

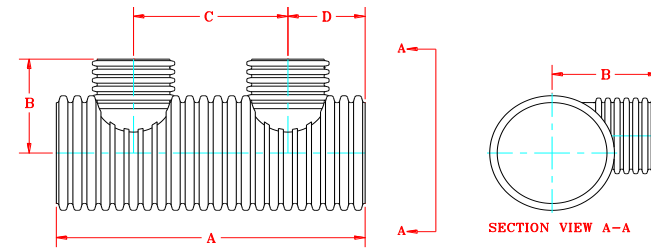
© 2021 Advanced Drainage Systems, Inc.



DRAWING #:	5450	
DRAWN BY:	TJR	11.15.07
APPROVED BY:	TJR	11.15.07
REVISIONS:		

STORMTECH DUAL WALL FABRICATED "SOIL TIGHT" "PLAIN END" REDUCING DOUBLE MANIFOLD
24" - 48" DIAMETER

PART #	PIPE SIZE	CHAMBER SIZE	A	B	C	D
2452AN7406	24" x 6" in (600 x 150 mm)	SC-740	113.4 in (2880 mm)	20.4 in (518 mm)	56.7 in (1440 mm)	28.4 in (720 mm)
2452AN7408	24" x 8" in (600 x 200 mm)	SC-740	113.4 in (2880 mm)	22.2 in (563 mm)	56.7 in (1440 mm)	28.4 in (720 mm)
2452AN7410	24" X 10" in (600 x 250 mm)	SC-740	113.4 in (2880 mm)	22.6 in (575 mm)	56.7 in (1440 mm)	28.4 in (720 mm)
2452AN7412	24" x 12" in (600 x 300 mm)	SC-740	113.4 in (2880 mm)	24.6 in (625 mm)	56.7 in (1440 mm)	28.4 in (720 mm)
2452AN7415	24" x 15" in (600 x 375 mm)	SC-740	113.4 in (2880 mm)	25.4 in (644 mm)	56.7 in (1440 mm)	28.4 in (720 mm)
2452AN7418	24" x 18" in (600 x 450 mm)	SC-740	113.4 in (2880 mm)	24.6 in (625 mm)	56.7 in (1440 mm)	28.4 in (720 mm)
3052AN7406	30" x 6" in (750 x 150 mm)	SC-740	115.4 in (2930 mm)	25.4 in (645 mm)	57.7 in (1465 mm)	28.8 in (733 mm)
3052AN7412	30" x 12" in (750 x 300 mm)	SC-740	115.4 in (2930 mm)	29.6 in (752 mm)	57.7 in (1465 mm)	28.8 in (733 mm)
3052AN7415	30" x 15" in (750 x 375 mm)	SC-740	115.4 in (2930 mm)	30.4 in (772 mm)	57.7 in (1465 mm)	28.8 in (733 mm)
3052AN7418	30" x 18" in (750 x 450 mm)	SC-740	115.4 in (2930 mm)	30.7 in (780 mm)	57.7 in (1465 mm)	28.8 in (733 mm)
3052AN7424	30" x 24" in (750 x 600 mm)	SC-740	115.4 in (2930 mm)	27.0 in (686 mm)	57.7 in (1465 mm)	28.8 in (733 mm)
3652AN7412	36" x 12" in (900 x 300 mm)	SC-740	115.5 in (2934 mm)	31.6 in (803 mm)	57.8 in (29 mm)	28.9 in (29 mm)
3652AN7415	36" x 15" in (900 x 375 mm)	SC-740	115.5 in (2934 mm)	32.4 in (823 mm)	57.8 in (1467 mm)	28.9 in (734 mm)
3652AN7418	36" x 18" in (900 x 450 mm)	SC-740	115.5 in (2934 mm)	32.7 in (831 mm)	57.8 in (1467 mm)	28.9 in (734 mm)
3652AN7424	36" x 24" in (900 x 600 mm)	SC-740	115.5 in (2934 mm)	31.3 in (795 mm)	57.8 in (1467 mm)	28.9 in (734 mm)



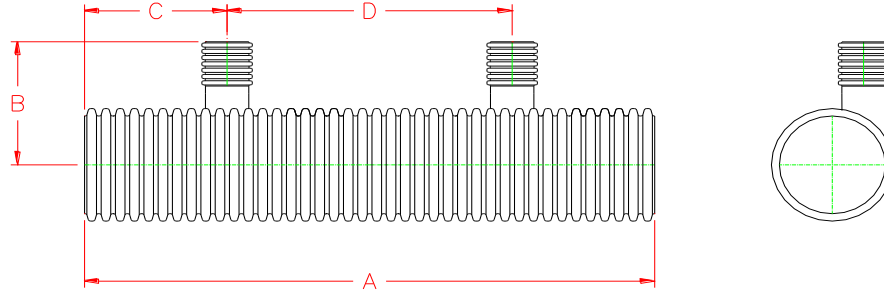
PART #	PIPE SIZE	CHAMBER SIZE	A	B	C	D
4252AN7412	42" x 12" in (1050 x 300 mm)	SC-740	114.2 in (2900 mm)	34.6 in (879 mm)	57.1 in (1450 mm)	28.6 in (725 mm)
4252AN7415	42" x 15" in (1050 x 375 mm)	SC-740	114.2 in (2900 mm)	35.4 in (899 mm)	57.1 in (1450 mm)	28.6 in (725 mm)
4252AN7418	42" x 18" in (1050 x 450 mm)	SC-740	114.2 in (2900 mm)	34.6 in (878 mm)	57.1 in (1450 mm)	28.6 in (725 mm)
4252AN7424	42" x 24" in (1050 x 600 mm)	SC-740	114.2 in (2900 mm)	34.3 in (871 mm)	57.1 in (1450 mm)	28.6 in (725 mm)
4852AN7412	48" x 12" in (1200 x 300 mm)	SC-740	115.5 in (2934 mm)	37.6 in (955 mm)	57.8 in (1467 mm)	28.9 in (734 mm)
4852AN7415	48" x 15 in (1200 x 375 mm)	SC-740	115.5 in (2934 mm)	38.4 in (975 mm)	57.8 in (1467 mm)	28.9 in (734 mm)
4852AN7418	48" x 18" in (1200 x 450 mm)	SC-740	115.5 in (2934 mm)	38.7 in (983 mm)	57.8 in (1467 mm)	28.9 in (734 mm)
4852AN7424	48" x 24" in (1200 x 600 mm)	SC-740	115.5 in (2934 mm)	37.3 in (947 mm)	57.8 in (1467 mm)	28.9 in (734 mm)

NOTE: ALL FITTINGS DIMENSIONS ARE FOR REFERENCE ONLY

© 2021 Advanced Drainage Systems, Inc.

	DRAWING #:	5500	
	DRAWN BY:	TJR	11.15.07
	APPROVED BY:	TJR	11.15.07
	REVISIONS:		

**STORMTECH DUAL WALL FABRICATED "SOIL TIGHT" DOUBLE REDUCING MANIFOLD
30" & 36" DIAMETER (ECC)**



PART #	PIPE SIZE	CHAMBER SIZE	A	B	C	D
3052AN3512	30" X 12" in (750 x 300 mm)	3500	171.4 in (4353 mm)	51.3 in (1303 mm)	42.8 in (1088 mm)	85.7 in (2177 mm)
3052AN3515	30" x 15" in (750 x 375 mm)	3500	171.4 in (4353 mm)	50.2 in (1276 mm)	42.9 in (1088 mm)	85.7 in (2177 mm)
3052AN3518	30" X 18" in (750 x 450 mm)	3500	171.4 in (4353 mm)	50.2 in (1276 mm)	42.9 in (1088 mm)	85.7 in (2177 mm)
3052AN3524	30" x 24" in (750 x 600 mm)	3500	171.4 in (4353 mm)	50.8 in (1291 mm)	42.9 in (1088 mm)	85.7 in (2177 mm)
3652AN3512	36" x 12" in (900 x 300 mm)	3500	167.5 in (4254 mm)	53.8 in (1367 mm)	41.8 in (1063 mm)	83.7 in (2127 mm)
3652AN3515	36" x 15" in (900 x 375 mm)	3500	167.5 in (4254 mm)	53.8 in (1367 mm)	41.9 in (1063 mm)	83.7 in (2127 mm)
3652AN3518	36" x 18" in (900 x 450 mm)	3500	167.5 in (4254 mm)	53.8 in (1367 mm)	41.9 in (1063 mm)	83.7 in (2127 mm)
3652AN3524	36" x 24" in (900 x 600 mm)	3500	167.5 in (4254 mm)	54.4 in (1383 mm)	41.9 in (1063 mm)	83.7 in (2127 mm)

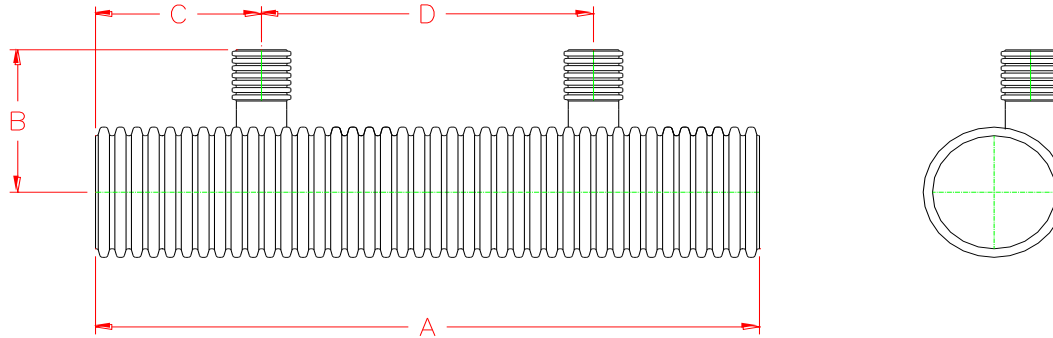
NOTE: ALL FITTINGS DIMENSIONS ARE FOR REFERENCE ONLY

© 2021 Advanced Drainage Systems, Inc.



DRAWING #:	5515	DATE
DRAWN BY:	CAS	01.06.2010
APPROVED BY:		
REVISIONS:		

**STORMTECH DUAL WALL FABRICATED "SOIL TIGHT" DOUBLE REDUCING MANIFOLD
42" & 48" DIAMETER (ECC)**



PART #	PIPE SIZE	CHAMBER SIZE	A	B	C	D
4252AN3512	42" X 12" in (1050 x 300 mm)	3500	164.4 in (4176 mm)	56.5 in (1436 mm)	41.1 in (1044 mm)	82.2 in (2088 mm)
4252AN3515	42" x 15" in (1050 x 375 mm)	3500	164.4 in (4176 mm)	56.6 in (1436 mm)	41.1 in (1044 mm)	82.2 in (2088 mm)
4252AN3518	42" X 18" in (1050 x 450 mm)	3500	164.4 in (4176 mm)	56.5 in (1436 mm)	41.1 in (1044 mm)	82.2 in (2088 mm)
4252AN3524	42" x 24" in (1050 x 600 mm)	3500	164.4 in (4176 mm)	57.1 in (1451 mm)	41.1 in (1044 mm)	82.2 in (2088 mm)
4852AN3512	48" X 12" in (1200 x 300 mm)	3500	167.5 in (4253 mm)	59.5 in (1511 mm)	41.9 in (1063 mm)	83.7 in (2127 mm)
4852AN3515	48" x 15" in (1200 x 375 mm)	3500	167.5 in (4253 mm)	59.5 in (1510 mm)	41.9 in (1063 mm)	83.7 in (2127 mm)
4852AN3518	48" X 18" in (1200 x 450 mm)	3500	167.5 in (4253 mm)	59.5 in (1511 mm)	41.9 in (1063 mm)	83.7 in (2127 mm)
4852AN3524	48" x 24" in (1200 x 600 mm)	3500	167.5 in (4253 mm)	60.1 in (1526 mm)	41.9 in (1063 mm)	83.7 in (2127 mm)

NOTE: ALL FITTINGS DIMENSIONS ARE FOR REFERENCE ONLY

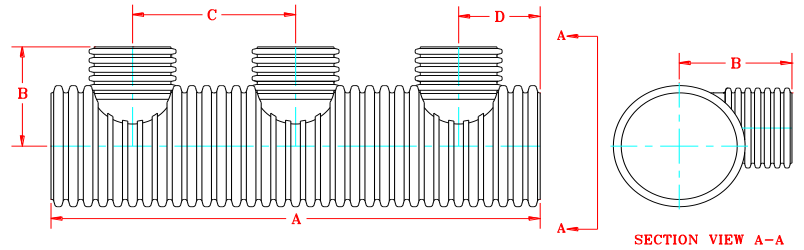
© 2021 Advanced Drainage Systems, Inc.



DRAWING #:	5530	DATE
DRAWN BY:	CAS	01.06.2010
APPROVED BY:		
REVISIONS:		

**STORMTECH DUAL WALL FABRICATED "SOIL TIGHT" "PLAIN END" REDUCING TRIPLE MANIFOLD
8" - 18" DIAMETER**

PART #	PIPE SIZE	CHAMBER SIZE	A	B	C	D
0853AN7406	8" x 6" in (200 x 150 mm)	SC-740	169.9 in (4316 mm)	10.0 in (253 mm)	56.6 in (1439 mm)	28.3 in (719 mm)
1053AN7406	10" x 6" in (250 x 150 mm)	SC-740	170.1 in (4321 mm)	11.1 in (281 mm)	56.7 in (1440 mm)	28.4 in (720 mm)
1053AN7408	10" X 8" in (250 x 200 mm)	SC-740	170.1 in (4321 mm)	12.4 in (315 mm)	56.7 in (1440 mm)	28.4 in (720 mm)
1253AN7406	12" x 6" in (300 x 150 mm)	SC-740	172.8 in (4389 mm)	12.6 in (321 mm)	57.6 in (1463 mm)	28.8 in (732 mm)
1253AN7408	12" x 8" in (300 x 200 mm)	SC-740	172.8 in (4389 mm)	14.0 in (354 mm)	57.6 in (1463 mm)	28.8 in (732 mm)
1253AN7410	12" x 10" in (300 x 250 mm)	SC-740	172.8 in (4389 mm)	14.8 in (376 mm)	57.6 in (1463 mm)	28.8 in (732 mm)
1553AN7406	15" x 6" in (375 x 150 mm)	SC-740	170.9 in (4342 mm)	15.4 in (391 mm)	57.0 in (1447 mm)	28.5 in (724 mm)
1553AN7408	15" x 8" in (375 x 200 mm)	SC-740	170.9 in (4342 mm)	16.7 in (425 mm)	57.0 in (1447 mm)	28.5 in (724 mm)
1553AN7410	15" x 10" in (375 x 250 mm)	SC-740	170.9 in (4342 mm)	17.6 in (446 mm)	57.0 in (1447 mm)	28.5 in (724 mm)
1553AN7412	15" x 12" in (375 x 300 mm)	SC-740	170.9 in (4342 mm)	19.6 in (498 mm)	57.0 in (1447 mm)	28.5 in (724 mm)
1853AN7406	18" x 6" in (450 x 150 mm)	SC-740	168.8 in (4289 mm)	17.4 in (442 mm)	56.3 in (1430 mm)	28.1 in (715 mm)
1853AN7408	18" x 8" in (450 x 200 mm)	SC-740	168.8 in (4289 mm)	18.7 in (475 mm)	56.3 in (1430 mm)	28.1 in (715 mm)
1853AN7410	18" x 10" in (450 x 250 mm)	SC-740	168.8 in (4289 mm)	19.6 in (497 mm)	56.3 in (1430 mm)	28.1 in (715 mm)
1853AN7412	18" x 12" in (450 x 300 mm)	SC-740	168.8 in (4289 mm)	21.6 in (549 mm)	56.3 in (1430 mm)	28.1 in (715 mm)
1853AN7415	18" x 15" in (450 x 375 mm)	SC-740	168.8 in (4289 mm)	22.4 in (568 mm)	56.3 in (1430 mm)	28.1 in (715 mm)



NOTE: ALL FITTINGS DIMENSIONS ARE FOR REFERENCE ONLY

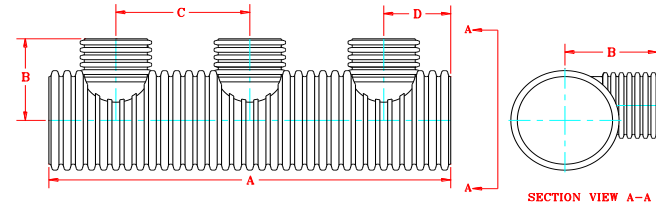
© 2021 Advanced Drainage Systems, Inc.



DRAWING #:	5550	
DRAWN BY:	TJR	11.15.07
APPROVED BY:	TJR	11.15.07
REVISIONS:		

**STORMTECH DUAL WALL FABRICATED "SOIL TIGHT" "PLAIN END" REDUCING TRIPLE MANIFOLD
24" - 48" DIAMETER**

PART #	PIPE SIZE	CHAMBER SIZE	A	B	C	D
2453AN7406	24" x 6" in (600 x 150 mm)	SC-740	170.1 in (4321 mm)	20.4 in (518 mm)	56.7 in (1440 mm)	28.4 in (720 mm)
2453AN7408	24" x 8" in (600 x 200 mm)	SC-740	170.1 in (4321 mm)	21.7 in (552 mm)	56.7 in (1440 mm)	28.4 in (720 mm)
2453AN7410	24" X 10" in (600 x 250 mm)	SC-740	170.1 in (4321 mm)	22.6 in (573 mm)	56.7 in (1440 mm)	28.4 in (720 mm)
2453AN7412	24" x12" in (600 x 300 mm)	SC-740	170.1 in (4321 mm)	24.6 in (625 mm)	56.7 in (1440 mm)	28.4 in (720 mm)
2453AN7415	24" x 15" in (600 x 375 mm)	SC-740	170.1 in (4321 mm)	25.4 in (644 mm)	56.7 in (1440 mm)	28.4 in (720 mm)
2453AN7418	24" x 18" in (600 x 450 mm)	SC-740	170.1 in (4321 mm)	25.7 in (653 mm)	56.7 in (1440 mm)	28.4 in (720 mm)
3053AN7406	30" x 6" in (750 x 150 mm)	SC-740	173.0 in (4395 mm)	25.4 in (645 mm)	57.7 in (1465 mm)	28.8 in (733 mm)
3053AN7412	30" x 12" in (750 x 300 mm)	SC-740	173.0 in (4395 mm)	29.6 in (752 mm)	57.7 in (1465 mm)	28.8 in (733 mm)
3053AN7415	30" x 15" in (750 x 375 mm)	SC-740	173.0 in (4395 mm)	30.4 in (772 mm)	57.7 in (1465 mm)	28.8 in (733 mm)
3053AN7418	30" x 18" in (750 x 450 mm)	SC-740	173.0 in (4395 mm)	30.7 in (780 mm)	57.7 in (1465 mm)	28.8 in (733 mm)
3053AN7424	30" x 24" in (750 x 600 mm)	SC-740	173.0 in (4395 mm)	27.0 in (686 mm)	57.7 in (1465 mm)	28.8 in (733 mm)
3653AN7412	36" x 12" in (900 x 300 mm)	SC-740	173.3 in (4401 mm)	31.6 in (803 mm)	57.8 in (29 mm)	28.9 in (29 mm)
3653AN7415	36" x 15" in (900 x 375 mm)	SC-740	173.3 in (4401 mm)	32.4 in (823 mm)	57.8 in (1467 mm)	28.9 in (734 mm)
3653AN7418	36" x 18" in (900 x 450 mm)	SC-740	173.3 in (4401 mm)	32.7 in (831 mm)	57.8 in (1467 mm)	28.9 in (734 mm)
3653AN7424	36" x 24" in (900 x 600 mm)	SC-740	173.3 in (4401 mm)	31.3 in (795 mm)	57.8 in (1467 mm)	28.9 in (734 mm)



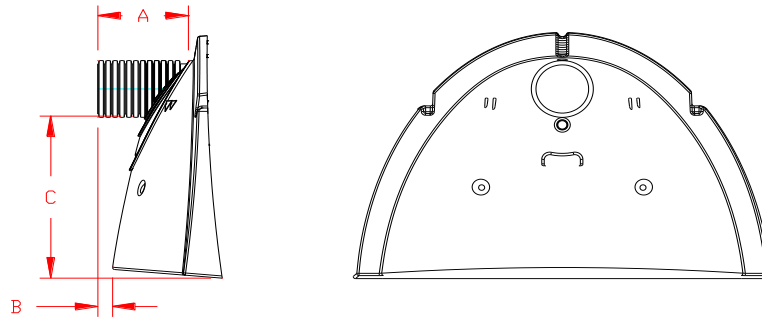
PART #	PIPE SIZE	CHAMBER SIZE	A	B	C	D
4253AN7412	42" x 12" in (1050 x 300 mm)	SC-740	171.3 in (4350 mm)	34.6 in (879 mm)	57.1 in (1450 mm)	28.6 in (725 mm)
4253AN7415	42" x 15" in (1050 x 375 mm)	SC-740	171.3 in (4350 mm)	35.4 in (899 mm)	57.1 in (1450 mm)	28.6 in (725 mm)
4253AN7418	42" x 18" in (1050 x 450 mm)	SC-740	171.3 in (4350 mm)	34.6 in (878 mm)	57.1 in (1450 mm)	28.6 in (725 mm)
4253AN7424	42" x24" in (1050 x 600 mm)	SC-740	171.3 in (4350 mm)	34.3 in (871 mm)	57.1 in (1450 mm)	28.6 in (725 mm)
4853AN7412	48" x 12" in (1200 x 300 mm)	SC-740	173.3 in (4401 mm)	37.6 in (955 mm)	57.8 in (1467 mm)	28.9 in (734 mm)
4853AN7415	48" x 15 in (1200 x 375 mm)	SC-740	173.3 in (4401 mm)	38.4 in (975 mm)	57.8 in (1467 mm)	28.9 in (734 mm)
4853AN7418	48" x 18" in (1200 x 450 mm)	SC-740	173.3 in (4401 mm)	38.7 in (983 mm)	57.8 in (1467 mm)	28.9 in (734 mm)
4853AN7424	48" x 24" in (1200 x 600 mm)	SC-740	173.3 in (4401 mm)	37.3 in (947 mm)	57.8 in (1467 mm)	28.9 in (734 mm)

NOTE: ALL FITTINGS DIMENSIONS ARE FOR REFERENCE ONLY

© 2021 Advanced Drainage Systems, Inc.

	DRAWING #:	5600	
	DRAWN BY:	TJR	11.15.07
	APPROVED BY:	TJR	11.15.07
	REVISIONS:		

STORMTECH STORM CHAMBER "SOIL TIGHT" END CAPS - TOP



STUB AT TOP OF END CAP
FOR PART NUMBERS ENDING WITH "T"

PART #	PIPE SIZE	CHAMBER SIZE	A	B	C
SC310EPEO6T	6 in (150 mm)	310	11.9 in (302 mm)	5.4 in (137 mm)	5.5 in (140 mm)
SC310EPEO8T	8 in (200 mm)	310	12.8 in (325 mm)	6.3 in (160 mm)	3.5 in (89 mm)
SC310EPE10T	10 in (250 mm)	310	13.1 in (333 mm)	6.5 in (165 mm)	1.4 in (36 mm)
SC740EPEO6T	6 in (150 mm)	740	14.3 in (363 mm)	5.3 in (135 mm)	19.8 in (503 mm)
SC740EPEO8T	8 in (200 mm)	740	15.3 in (389 mm)	6.3 in (160 mm)	17.9 in (455 mm)
SC740EPE10T	10 in (250 mm)	740	15.5 in (394 mm)	6.5 in (165 mm)	15.8 in (401 mm)
SC740EPE12T	12 in (300 mm)	740	18.2 in (462 mm)	9.2 in (234 mm)	13.7 in (348 mm)
SC740EPE15T	15 in (375 mm)	740	20.8 in (528 mm)	11.9 in (302 mm)	10.5 in (267 mm)
SC740EPE18T	18 in (450 mm)	740	21.2 in (538 mm)	12.2 in (310 mm)	6.5 in (165 mm)

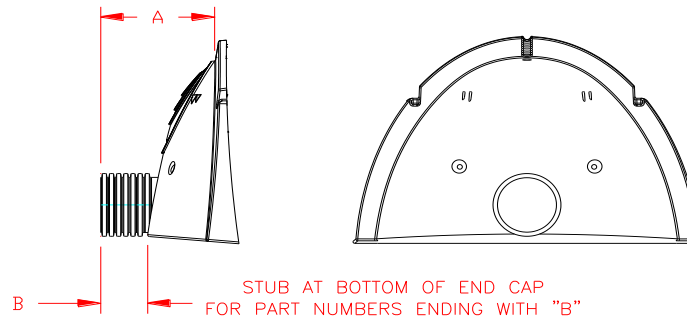
NOTE: ALL FITTINGS DIMENSIONS ARE FOR REFERENCE ONLY

© 2021 Advanced Drainage Systems, Inc.



DRAWING #:	5650	
DRAWN BY:	TJR	11.15.07
APPROVED BY:	TJR	11.15.07
REVISIONS:	WLG	08.05.08

STORMTECH STORM CHAMBER "SOIL TIGHT" END CAPS - BOTTOM



PART #	PIPE SIZE	CHAMBER SIZE	A	B
SC310EPEO6B	6 in (150 mm)	310	11.9 in (302 mm)	5.4 in (137 mm)
SC310EPEO8B	8 in (200 mm)	310	12.8 in (325 mm)	6.3 in (160 mm)
SC310EPE10B	10 in (250 mm)	310	13.1 in (333 mm)	6.5 in (165 mm)
* SC310EPE12B	12 in (300 mm)	310	16.0 in (406 mm)	9.2 in (234 mm)
SC740EPEO6B	6 in (150 mm)	740	14.3 in (363 mm)	5.3 in (135 mm)
SC740EPEO8B	8 in (200 mm)	740	15.3 in (389 mm)	6.3 in (160 mm)
SC740EPE10B	10 in (250 mm)	740	15.5 in (394 mm)	6.5 in (165 mm)
SC740EPE12B	12 in (300 mm)	740	18.2 in (462 mm)	9.2 in (234 mm)
SC740EPE15B	15 in (375 mm)	740	20.8 in (528 mm)	11.9 in (302 mm)
SC740EPE18B	18 in (450 mm)	740	21.2 in (538 mm)	12.2 in (310 mm)
* SC740EPE24B	24 in (600 mm)	740	20.1 in (511 mm)	11.0 in (279 mm)

ALL STUBS, EXCEPT FOR THE SC310EPE12B AND SC740EPE24B ARE PLACED AT BOTTOM OF END CAP SUCH THAT THE OUTSIDE DIAMETER OF THE STUB IS FLUSH WITH THE BOTTOM OF THE END CAP.

* FOR SC310EPE12B THE 12" STUB LIES BELOW THE BOTTOM OF THE END CAP APPROXIMATELY 0.25". FOR SC740EPE24B THE 24" STUB LIES BELOW THE BOTTOM OF THE END CAP APPROXIMATELY 1.75". BACKFILL MATERIAL SHOULD BE REMOVED FROM BELOW THE N-12 STUB SO THAT THE FITTING SETS LEVEL.

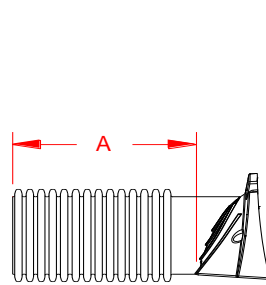
NOTE: ALL FITTINGS DIMENSIONS ARE FOR REFERENCE ONLY

© 2021 Advanced Drainage Systems, Inc.

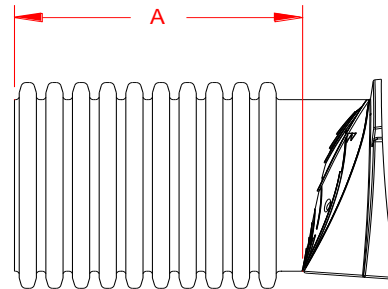


DRAWING #:	5700	
DRAWN BY:	TJR	11.15.07
APPROVED BY:	TJR	11.15.07
REVISIONS:	WLG	8.05.08

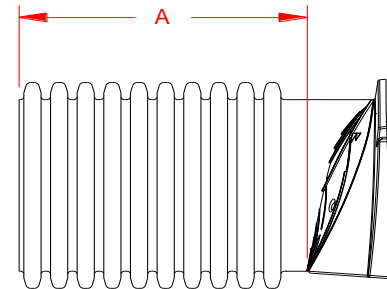
STORMTECH STORM CHAMBER "SOIL TIGHT" EXTENDED
 PREFAB END CAP STUB LENGTHS



SC-310 - 12" PIPE
 SC310EPE12BL



SC-740 - 24" PIPE
 SC740EPE24BL



DC-780 - 24" PIPE
 LS3051EPE24BL

PART #	PIPE SIZE	CHAMBER SIZE	A
SC310EPE12BL	12 in (150 mm)	310	25.0 in (635 mm)
SC740EPE24BL	24 in (200 mm)	740	25.0 in (635 mm)
LS3051EPE24BL	240 in (250 mm)	780	25.0 in (635 mm)

NOTE: ALL FITTINGS DIMENSIONS ARE FOR REFERENCE ONLY

© 2021 Advanced Drainage Systems, Inc.



DRAWING #:	5750
DRAWN BY:	TJR
APPROVED BY:	
REVISIONS:	