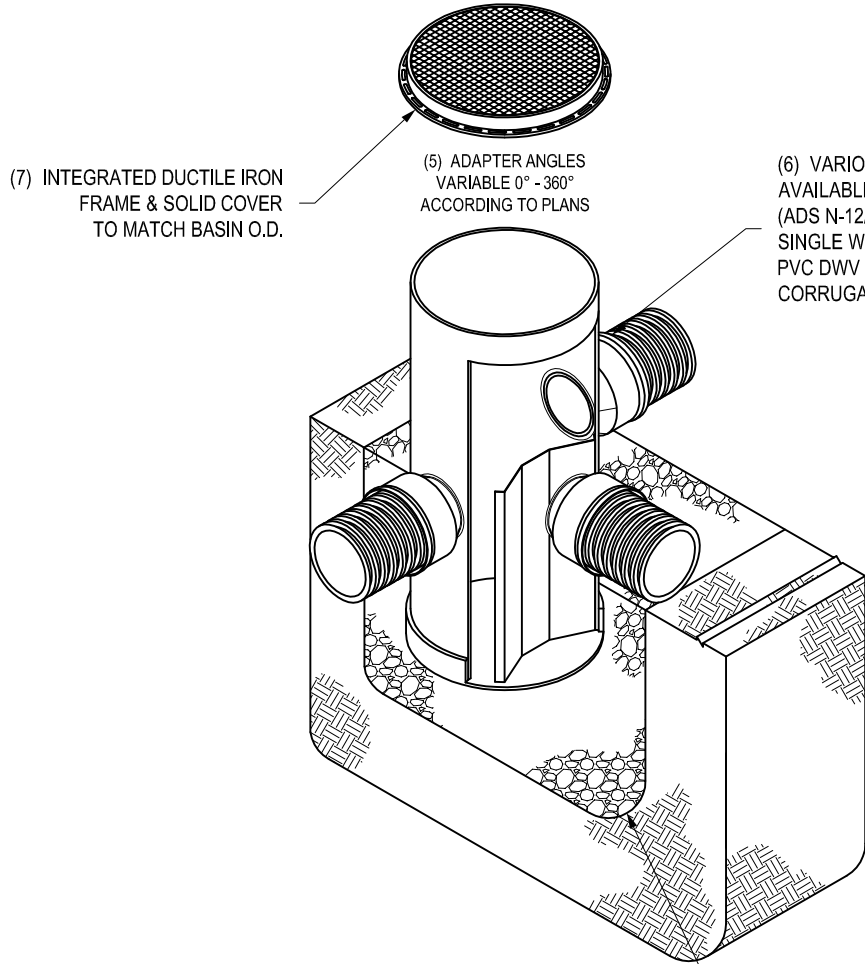
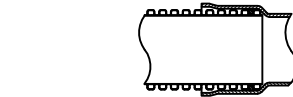


# NYLOPLAST DRAIN BASIN WITH DOGHOUSE STYLE WEIR

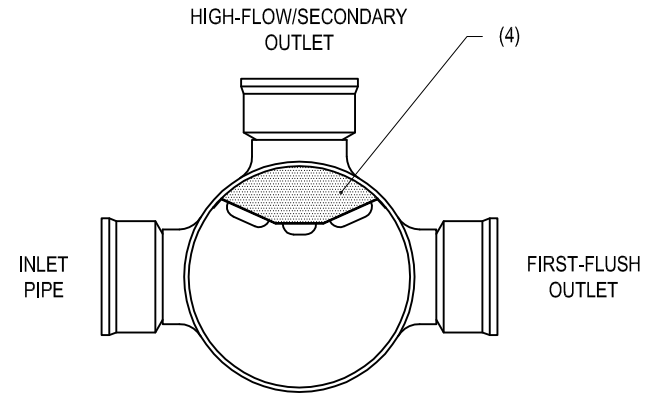


(7) INTEGRATED DUCTILE IRON FRAME & SOLID COVER TO MATCH BASIN O.D.

(5) ADAPTER ANGLES VARIABLE 0° - 360° ACCORDING TO PLANS



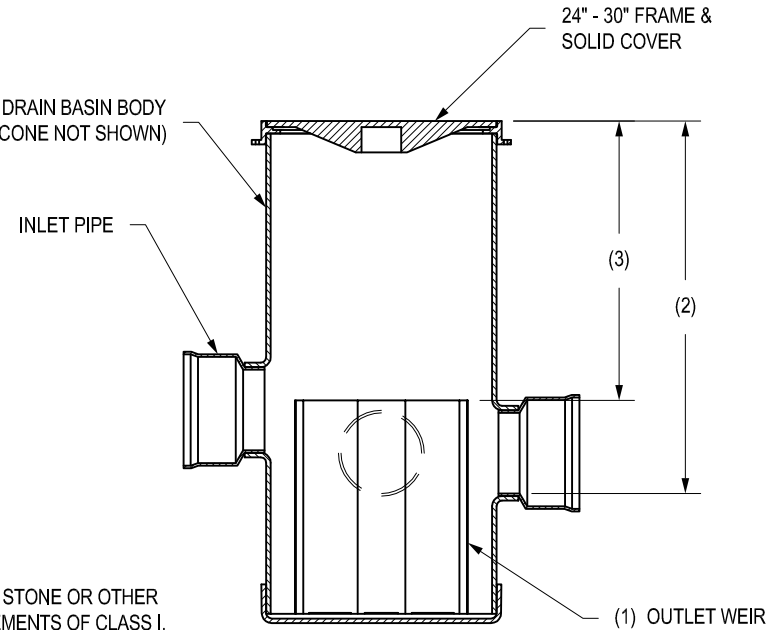
(6) VARIOUS TYPES OF INLET & OUTLET ADAPTERS AVAILABLE: 4" - 36" FOR CORRUGATED HDPE (ADS N-12/HANCOR DUAL WALL, ADS/HANCOR SINGLE WALL), N-12 HP, PVC SEWER (EX: SDR 35), PVC DWV (EX: SCH 40), PVC C900/C905, CORRUGATED & RIBBED PVC



INLET PIPE

FIRST-FLUSH OUTLET

(1) 24", 30" OR 36" DRAIN BASIN BODY (36" REDUCING CONE NOT SHOWN)



24" - 30" FRAME & SOLID COVER

(3)

(2)

(1) OUTLET WEIR

SIDE SECTION & TOP VIEW:  
ENLARGED TO SHOW DETAIL

- 1 - WEIR AVAILABLE FOR ALL 24", 30", & 36" STRUCTURE OPTIONS (CUSTOM BASIN, ROAD & HIGHWAY, & CURB INLET).
- 2 - DRAIN BASIN TO BE CUSTOM MANUFACTURED ACCORDING TO PLAN DETAILS. RISERS ARE NEEDED FOR BASINS OVER 84" DUE TO SHIPPING RESTRICTIONS SEE DRAWING NO. 7001-110-065.
- 3 - HEIGHT OF WEIR TO BE DETERMINED BY ENGINEER. **WEIR HEIGHT CANNOT EXCEED 84" DUE TO MANUFACTURING AND SHIPPING RESTRICTIONS.**
- 4 - WEIR MANUFACTURED TO MINIMIZE LOSS OF OUTLET PIPE OPEN AREA.
- 5 - ADAPTERS CAN BE MOUNTED ON ANY ANGLE 0° TO 360°, TO DETERMINE MINIMUM ANGLE BETWEEN ADAPTERS SEE DRAWING NO. 7001-110-012.
- 6 - DRAINAGE CONNECTION STUB JOINT TIGHTNESS SHALL CONFORM TO ASTM D3212 FOR CORRUGATED HDPE (ADS N-12/HANCOR DUAL WALL), N-12 HP, & PVC SEWER (4" - 24").
- 7 - FRAMES, GRATES, COVERS, HOODS, & BASE PLATES SHALL BE DUCTILE IRON PER ASTM A536 GRADE 70-50-05.
- 8 - 36" DRAIN BASIN REQUIRES 36" X 30" REDUCING CONE. **WEIR MUST BE A MIN. 15" FROM GRADE SO NOT TO INTERFERE WITH CONE.**
- 9 - LADDERS CANNOT BE USED IN Ø36" WEIR STRUCTURES AS THE WEIR MAY BECOME HAZARDOUS WHILE ENTERING AND EXITING THE STRUCTURE.

THE BACKFILL MATERIAL SHALL BE CRUSHED STONE OR OTHER GRANULAR MATERIAL MEETING THE REQUIREMENTS OF CLASS I, CLASS II, OR CLASS III MATERIAL AS DEFINED IN ASTM D2321. BEDDING & BACKFILL FOR SURFACE DRAINAGE INLETS SHALL BE PLACED & COMPACTED UNIFORMLY IN ACCORDANCE WITH ASTM D2321.

THIS PRINT DISCLOSES SUBJECT MATTER IN WHICH NYLOPLAST HAS PROPRIETARY RIGHTS. THE RECEIPT OR POSSESSION OF THIS PRINT DOES NOT CONFER, TRANSFER, OR LICENSE THE USE OF THE DESIGN OR TECHNICAL INFORMATION SHOWN HEREIN REPRODUCTION OF THIS PRINT OR ANY INFORMATION CONTAINED HEREIN, OR MANUFACTURE OF ANY ARTICLE HEREFROM, FOR THE DISCLOSURE TO OTHERS IS FORBIDDEN, EXCEPT BY SPECIFIC WRITTEN PERMISSION FROM NYLOPLAST.

©2013 NYLOPLAST

DRAWN BY	EBC	MATERIAL
DATE	05-10-06	
REVISED BY	NMH	PROJECT NO./NAME
DATE	10-14-20	
DWG SIZE	A	SCALE 1:40 SHEET 1 OF 1

**ADS**  
Nyloplast

3130 VERONA AVE  
BUFORD, GA 30518  
PHN (770) 932-2443  
FAX (770) 932-2490  
www.nyloplast-us.com

TITLE	<b>DRAIN BASIN WITH DOGHOUSE WEIR QUICK SPEC INSTALLATION DETAIL</b>
DWG NO.	7004-110-058 REV H