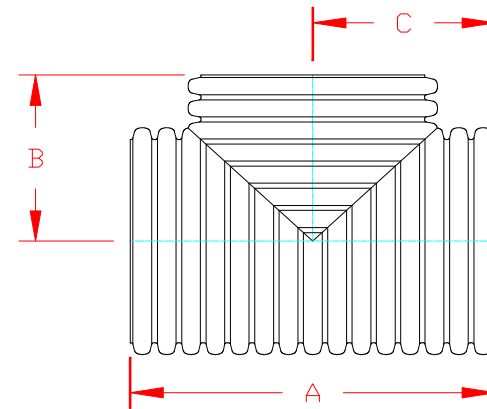


DUAL WALL FABRICATED "SOIL TIGHT" "PLAIN END" SINGLE MANIFOLD  
36" - 60" DIAMETER

PART #	PIPE SIZE	A	B	C
3651AN	36 in (900 mm)	63.0 in (1599 mm)	31.5 in (800 mm)	31.5 in (800 mm)
4251AN	42 in (1050 mm)	71.9 in (1827 mm)	36.0 in (914 mm)	36.0 in (914 mm)
4851AN	48 in (1200 mm)	78.5 in (1994 mm)	39.3 in (997 mm)	39.3 in (997 mm)
6051AN	60 in (1500 mm)	90.0 in (2286 mm)	45.0 in (1143 mm)	45.0 in (1143 mm)



NOTE: ALL FITTINGS DIMENSIONS ARE FOR REFERENCE ONLY

© 2023 Advanced Drainage Systems, Inc.



DRAWING #:	4000A	
DRAWN BY:	AWM	03.17.06
APPROVED BY:	JCB	06.28.07
REVISIONS:	NJP	06.28.07