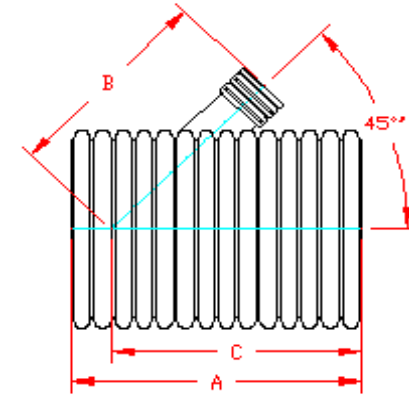
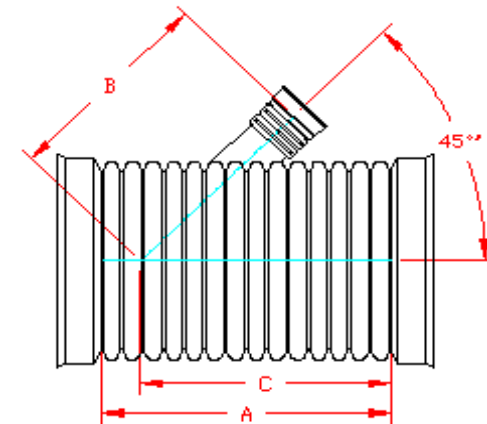


DUAL WALL FABRICATED REDUCING WYES
42"×12" - 42"×18" DIAMETER

PART #	PIPE SIZE	A	B	C	JOINT
4284AN	42 x 12 in (1050 x 300 mm)	61.7 in (1567 mm)	51.0 in (1295 mm)	55.0 in (1397 mm)	*
4284AN65B	42 x 12 in (1050 x 300 mm)	51.4 in (1306 mm)	49.1 in (1247 mm)	49.8 in (1265 mm)	WT
4285AN	42 x 15 in (1050 x 375 mm)	66.8 in (1697 mm)	57.0 in (1449 mm)	57.6 in (1463 mm)	*
4285AN65B	42 x 15 in (1050 x 375 mm)	56.5 in (1435 mm)	54.4 in (1383 mm)	52.4 in (1331 mm)	WT
4286AN	42 x 18 in (1050 x 450 mm)	71.9 in (1826 mm)	57.8 in (1469 mm)	60.2 in (1529 mm)	*
4286AN65B	42 x 18 in (1050 x 450 mm)	61.7 in (1567 mm)	55.2 in (1401 mm)	55.0 in (1397 mm)	WT



PLAIN END



WT (INCLUDES 3 GASKETS)

* = PLAIN END
 ST = SOIL TIGHT
 WT = WATER TIGHT

NOTE: ALL FITTINGS DIMENSIONS ARE FOR REFERENCE ONLY

© 2023 Advanced Drainage Systems, Inc.

ADS Advanced Drainage Systems, Inc.	DRAWING #:	2340A
	DRAWN BY:	JCB 06.14.06
	APPROVED BY:	JCB 06.26.07
	REVISIONS:	NJP 06.14.07