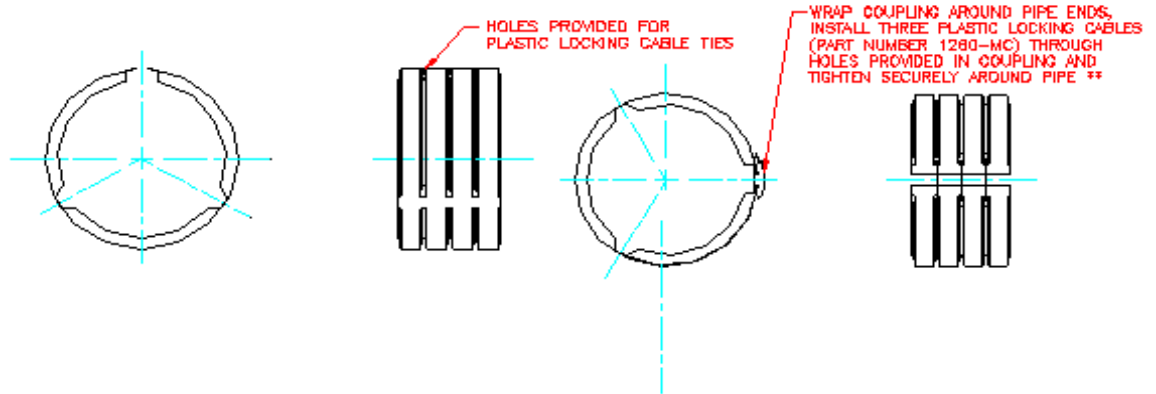


ADS HYBRID SPLIT COUPLER 48" DIAMETER

PART #	PIPE SIZE
2465ANH	24 in (600 mm)
4865ANH	48 in (1200 mm)



NOTE: ALL FITTINGS DIMENSIONS ARE FOR REFERENCE ONLY

© 2023 Advanced Drainage Systems, Inc.



DRAWING #:	2045	
DRAWN BY:	NJP	07.21.06
APPROVED BY:	JCB	07.09.07
REVISIONS:	JCB	07.09.07