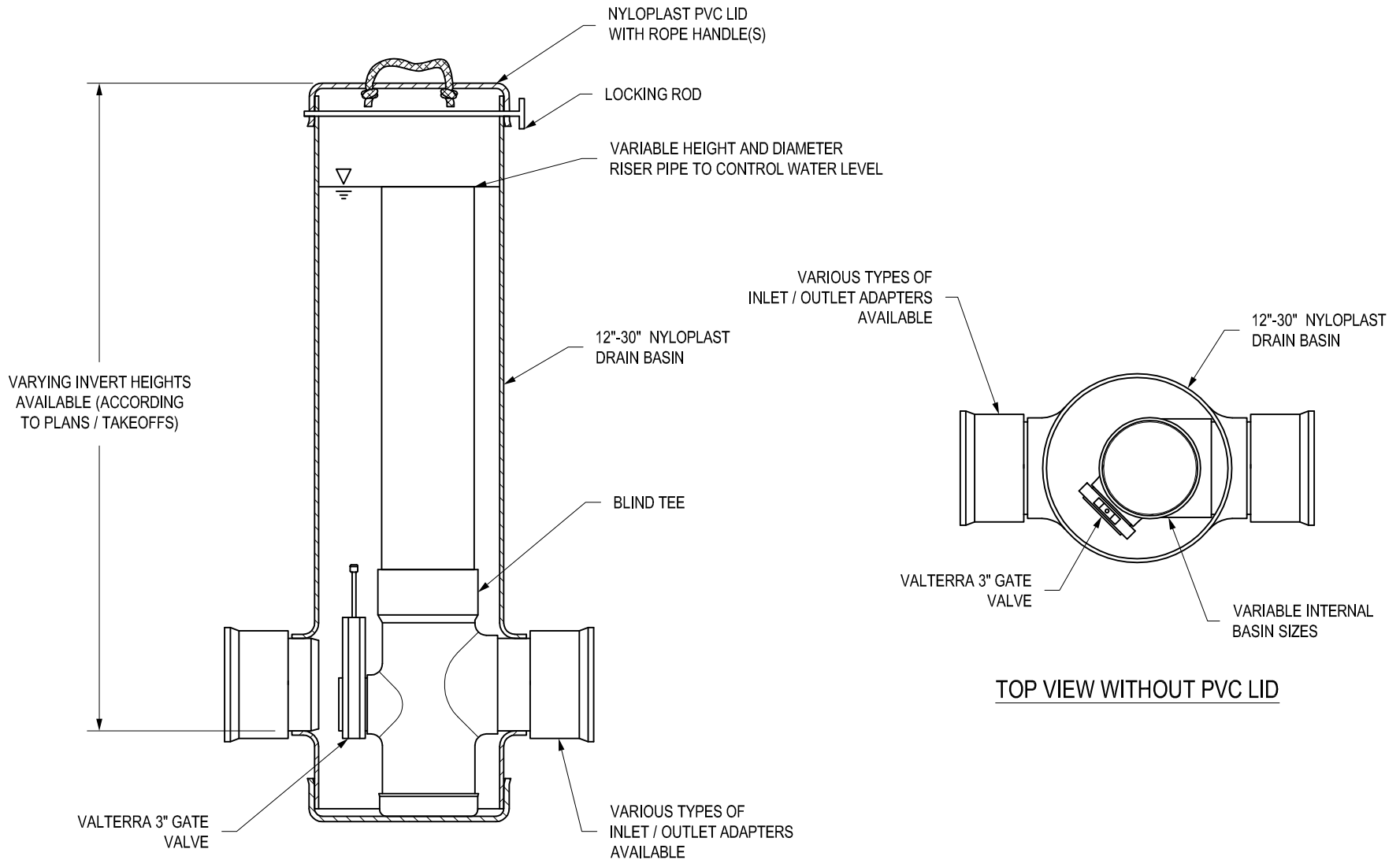


NYLOPLAST WATER CONTROL STRUCTURE



- 1 - REMOVABLE STAND PIPE AND OUTLET SIZE ARE RESTRICTED BY FLOW CONTROL STRUCTURE SIZE.
- 2 - REMOVABLE STAND PIPE HEIGHT CAN VARY ACCORING TO PLAN DETAILS.
- 3 - FLOW CONTROL STRUCTURE TO BE CUSTOM MANUFACTURED ACCORDING TO PLAN DETAILS. RISERS ARE NEEDED FOR BASINS OVER 84" DUE TO SHIPPING RESTRICTIONS.
- 4 - DRAINAGE CONNECTION STUB JOINT TIGHTNESS SHALL CONFORM TO ASTM D3212 FOR CORRUGATED HDPE (ADS N-12/HANCOR DUAL WALL), N-12 HP, & PVC SEWER.
- 5 - ADAPTERS CAN BE MOUNTED ON ANY ANGLE 0° TO 360°. TO DETERMINE MINIMUM ANGLE BETWEEN ADAPTERS SEE DRAWING NO. 7001-110-012.

THIS PRINT DISCLOSES SUBJECT MATTER IN WHICH NYLOPLAST HAS PROPRIETARY RIGHTS. THE RECEIPT OR POSSESSION OF THIS PRINT DOES NOT CONFER, TRANSFER, OR LICENSE THE USE OF THE DESIGN OR TECHNICAL INFORMATION SHOWN HEREIN REPRODUCTION OF THIS PRINT OR ANY INFORMATION CONTAINED HEREIN, OR MANUFACTURE OF ANY ARTICLE HEREFROM, FOR THE DISCLOSURE TO OTHERS IS FORBIDDEN, EXCEPT BY SPECIFIC WRITTEN PERMISSION FROM NYLOPLAST.

©2007 NYLOPLAST

DRAWN BY	NMH	MATERIAL	
DATE	12-9-15		
REVSD BY	NMH	PROJECT NO./NAME	TITLE
DATE	2-5-16		NYLOPLAST WATER CONTROL STRUCTURE
DWG SIZE	A	SCALE 1:10 SHEET 1 OF 1	DWG NO. 7008-110-008 REV A

3130 VERONA AVE
 BUFORD, GA 30518
 PHN (770) 932-2443
 FAX (770) 932-2490
www.nyloplast-us.com