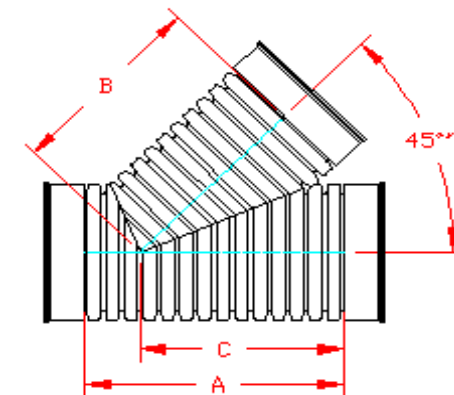
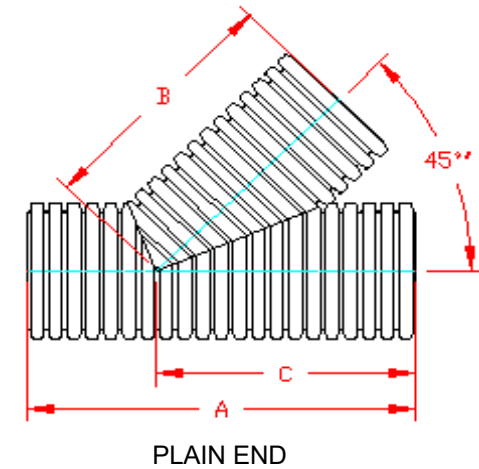


DUAL WALL FABRICATED STANDARD WYES 4" - 18" DIAMETER

PART #	PIPE SIZE	A	B	C	JOINT
** 0480AN	4 in (100 mm)	15.1 in (383 mm)	9.8 in (250 mm)	9.8 in (250 mm)	*
** 0681AN	6 in (150 mm)	19.4 in (491 mm)	13.2 in (334 mm)	13.2 in (334 mm)	*
** 0882AN	8 in (200 mm)	26.9 in (683 mm)	18.2 in (463 mm)	18.2 in (463 mm)	*
** 1083AN	10 in (250 mm)	32.8 in (832 mm)	22.7 in (576 mm)	22.7 in (576 mm)	*
1284AN	12 in (300 mm)	38.4 in (975 mm)	25.8 in (654 mm)	25.8 in (654 mm)	*
1284AN65B	12 in (300 mm)	25.8 in (654 mm)	20.2 in (514 mm)	20.2 in (514 mm)	WT
1585AN	15 in (375 mm)	45.5 in (1157 mm)	35.4 in (899 mm)	30.3 in (770 mm)	*
1585AN65B	15 in (375 mm)	33.0 in (839 mm)	25.3 in (642 mm)	25.4 in (645 mm)	WT
1886AN	18 in (450 mm)	53.2 in (1350 mm)	40.5 in (1028 mm)	40.5 in (1028 mm)	*
1886AN65B	18 in (450 mm)	38.0 in (964 mm)	30.1 in (765 mm)	30.4 in (771 mm)	WT



* = PLAIN END
ST = SOIL TIGHT
WT = WATER TIGHT

** LIMITED AVAILABILITY. PLEASE SEE INJECTION MOLDED FITTING SECTION FOR OTHER AVAILABLE FITTINGS

NOTE: ALL FITTINGS DIMENSIONS ARE FOR REFERENCE ONLY

© 2023 Advanced Drainage Systems, Inc.



DRAWING #:	2300	
DRAWN BY:	NJP	07.30.06
APPROVED BY:	JCB	06.26.07
REVISIONS:	NJP	06.14.07