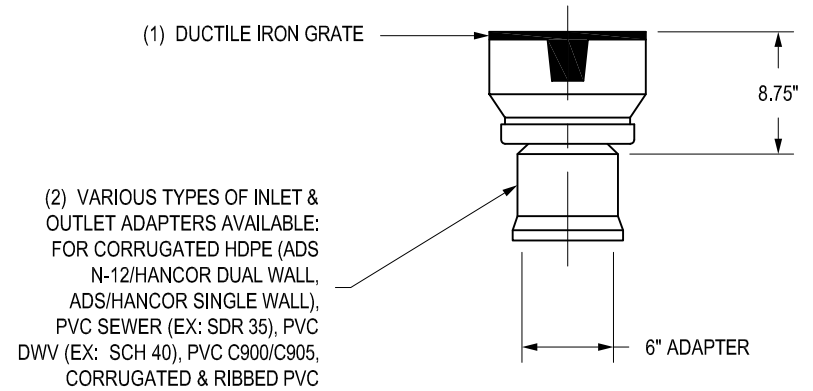
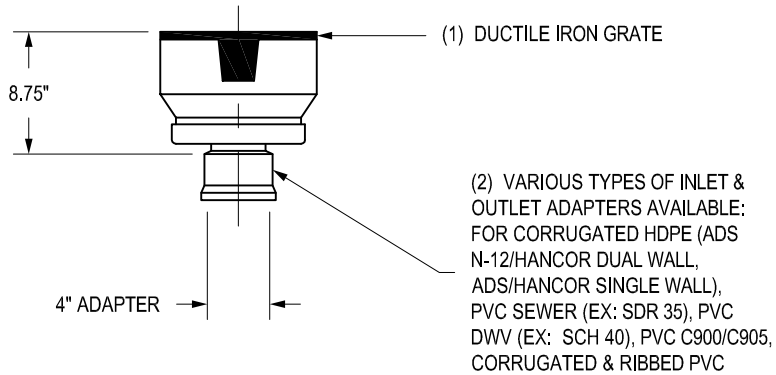
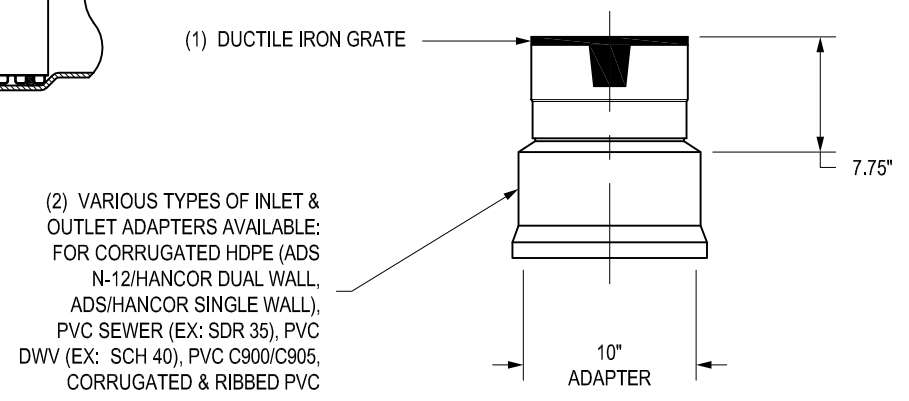
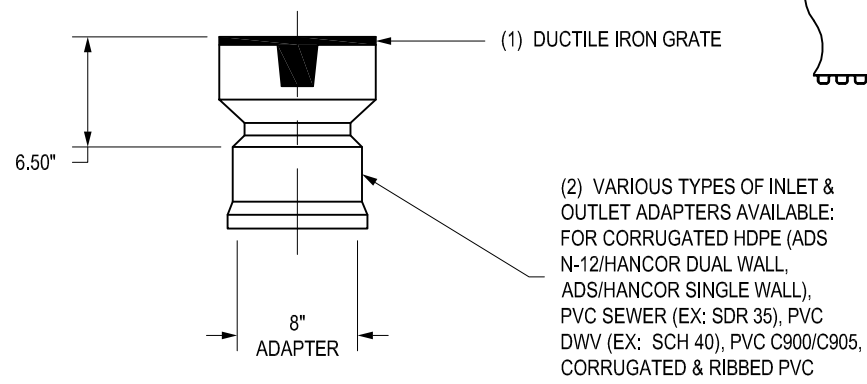
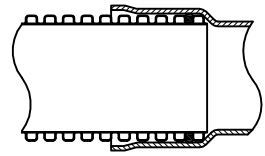


NYLOPLAST 10" INLINE DRAIN: 2710AG __ X



WATERTIGHT JOINT
(CORRUGATED HDPE SHOWN)




GRATE OPTIONS	LOAD RATING	PART #	DRAWING #
STANDARD	LIGHT DUTY	1099CGS	7001-110-198
SOLID COVER	LIGHT DUTY	1099CGC	7001-110-199
BRONZE	N/A	1099CGB	7001-110-200
DOME	N/A	1099CGD	7001-110-201

- 1 - GRATES/SOLID COVER SHALL BE DUCTILE IRON PER ASTM A536 GRADE 70-50-05, WITH THE EXCEPTION OF THE BRONZE GRATE.
- 2 - DRAINAGE CONNECTION STUB JOINT TIGHTNESS SHALL CONFORM TO ASTM D3212 FOR CORRUGATED HDPE (ADS & HANCOR DUAL WALL) & SDR 35 PVC.
- 3 - DIMENSIONS ARE FOR REFERENCE ONLY.
- 4 - ACTUAL DIMENSIONS MAY VARY.

THIS PRINT DISCLOSES SUBJECT MATTER IN WHICH NYLOPLAST HAS PROPRIETARY RIGHTS. THE RECEIPT OR POSSESSION OF THIS PRINT DOES NOT CONFER, TRANSFER, OR LICENSE THE USE OF THE DESIGN OR TECHNICAL INFORMATION SHOWN HEREIN REPRODUCTION OF THIS PRINT OR ANY INFORMATION CONTAINED HEREIN, OR MANUFACTURE OF ANY ARTICLE HEREFROM, FOR THE DISCLOSURE TO OTHERS IS FORBIDDEN, EXCEPT BY SPECIFIC WRITTEN PERMISSION FROM NYLOPLAST.

©2013 NYLOPLAST

DRAWN BY	CJA	MATERIAL
DATE	06-25-99	
REVISED BY	CCA	PROJECT NO./NAME
DATE	07-19-13	
DWG SIZE	A	SCALE NTS SHEET 1 OF 1



ADS
Nyloplast

3130 VERONA AVE
BUFORD, GA 30518
PHN (770) 932-2443
FAX (770) 932-2490
www.nyloplast-us.com

TITLE	
10 IN DESIGN DETAILS	
DWG NO.	7003-110-001 REV G