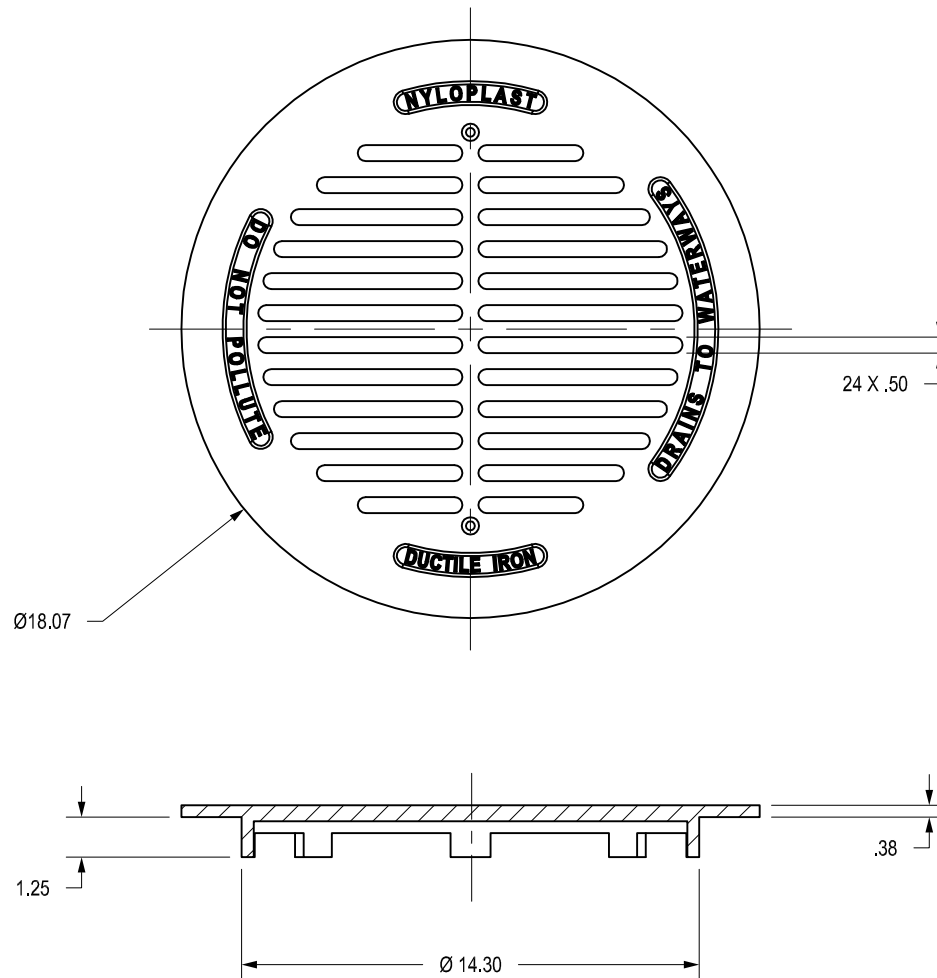


# 1501DI


APPROX. DRAIN AREA = 62.03 SQ IN  
 APPROX. WEIGHT = 26.42 LBS



DIMENSIONS ARE FOR REFERENCE ONLY  
 ACTUAL DIMENSIONS MAY VARY  
 DIMENSIONS ARE IN INCHES  
 GRATE HAS LIGHT DUTY RATING  
 QUALITY: MATERIALS SHALL CONFORM TO ASTM A536 GRADE 70-50-05  
 PAINT: CASTINGS ARE FURNISHED WITH A BLACK PAINT  
 SIZE OF OPENING MEETS REQUIREMENTS OF AMERICAN DISABILITY  
 ACT AS STATED IN FEDERAL REGISTER PART III, DEPARTMENT OF  
 JUSTICE, 28 CFR PART 36.

THIS PRINT DISCLOSES SUBJECT MATTER IN WHICH NYLOPLAST HAS PROPRIETARY RIGHTS. THE RECEIPT OR POSSESSION OF THIS PRINT DOES NOT CONFER, TRANSFER, OR LICENSE THE USE OF THE DESIGN OR TECHNICAL INFORMATION SHOWN HEREIN REPRODUCTION OF THIS PRINT OR ANY INFORMATION CONTAINED HEREIN, OR MANUFACTURE OF ANY ARTICLE HEREFROM, FOR THE DISCLOSURE TO OTHERS IS FORBIDDEN, EXCEPT BY SPECIFIC WRITTEN PERMISSION FROM NYLOPLAST.  
 ©2012 NYLOPLAST

DRAWN BY	CJA	MATERIAL
DATE	7-5-01	
REVISD BY	JJC	PROJECT NO./NAME
DATE	8-14-12	
DWG SIZE	A	SCALE 1:6 SHEET 1 OF 1

	3130 VERONA AVE BUFORD, GA 30518 PHN (770) 932-2443 FAX (770) 932-2490 www.nyloplast-us.com
	TITLE
15 IN DROP IN	
DWG NO.	7001-110-073 REV D