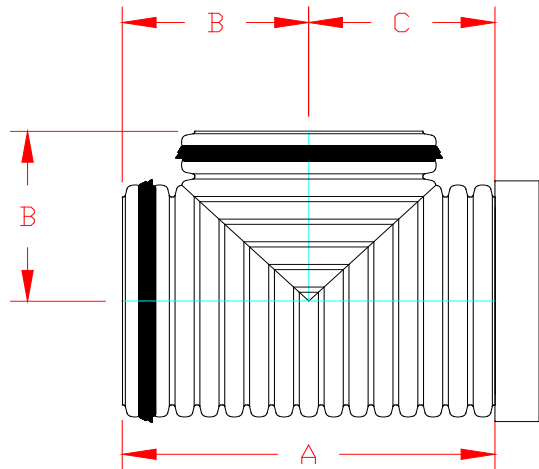


HP STORM DUAL WALL FABRICATED "WATER TIGHT" "GASKET END"  
SINGLE MANIFOLD 12" - 18" & 24" DIAMETER

PART #	PIPE SIZE	A	B	C
1251AN65GP	12 in (300 mm)	23.6 in (600 mm)	13.8 in (350 mm)	9.8 in (250 mm)
1551AN65GP	15 in (375 mm)	28.5 in (725 mm)	16.6 in (421 mm)	12.0 in (304 mm)
1851AN65GP	18 in (450 mm)	35.4 in (900 mm)	20.7 in (525 mm)	14.8 in (375 mm)
2451AN65GP	24 in (600 mm)	41.1 in (1043 mm)	23.7 in (602 mm)	17.4 in (441 mm)



NOTE: ALL FITTINGS DIMENSIONS ARE FOR REFERENCE ONLY



DRAWING #:	13225	
DRAWN BY:	TJR	10/13/2016
APPROVED BY:		
REVISIONS:		