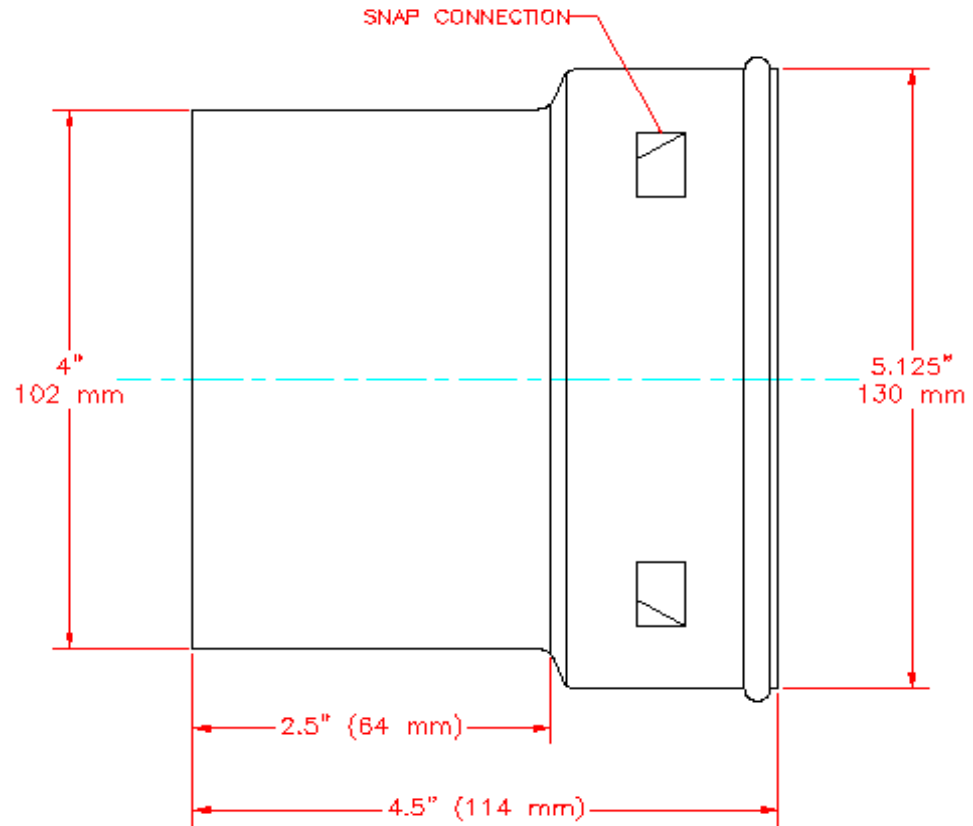


# 4" SEWER AND DRAIN ADAPTER

PART # 0467AA



NOTE: ALL DIMENSIONS ARE NOMINAL

© 2023 Advanced Drainage Systems, Inc.

	DRAWING #:	6010	
	DRAWN BY:	JCB	03.20.07
	APPROVED BY:	JCB	06.28.07
	REVISIONS:	NJP	06.20.07