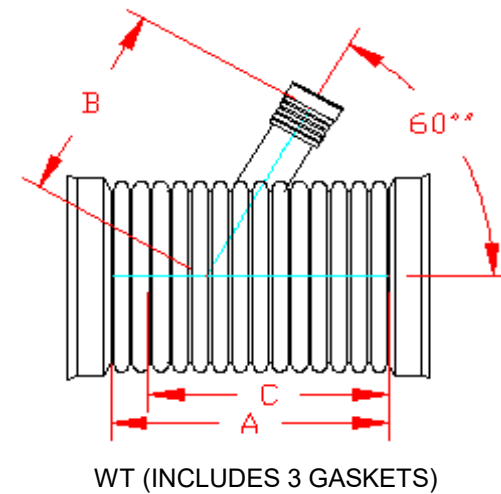
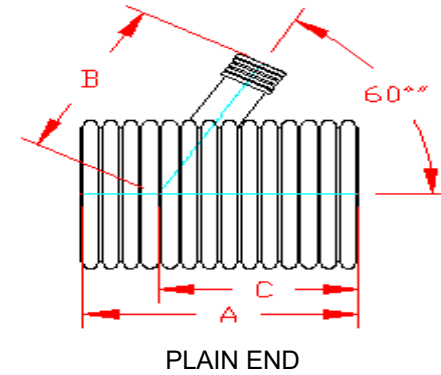


DUAL WALL FABRICATED 60° REDUCING WYES
18"×4" - 18"×10" DIAMETER

PART #	PIPE SIZE	A	B	C	JOINT
1880AN60	18 x 4 in (450 x 100 mm)	29.5 in (749 mm)	18.2 in (462 mm)	20.9 in (530 mm)	*
1880AN6065B	18 x 4 in (450 x 100 mm)	24.1 in (613 mm)	17.5 in (445 mm)	18.2 in (462 mm)	WT
1881AN60	18 x 6 in (450 x 150 mm)	29.5 in (749 mm)	19.2 in (487 mm)	20.9 in (530 mm)	*
1881AN6065B	18 x 6 in (450 x 150 mm)	24.1 in (613 mm)	18.4 in (467 mm)	18.2 in (462 mm)	WT
1882AN60	18 x 8 in (450 x 200 mm)	32.2 in (817 mm)	20.9 in (530 mm)	22.2 in (564 mm)	*
1882AN6065B	18 x 8 in (450 x 200 mm)	26.8 in (681 mm)	19.9 in (506 mm)	19.5 in (496 mm)	WT
1883AN60	18 x 10 in (450 x 250 mm)	34.8 in (885 mm)	23.6 in (599 mm)	23.5 in (598 mm)	*
1883AN6065B	18 x 10 in (450 x 250 mm)	29.5 in (749 mm)	22.3 in (567 mm)	20.9 in (530 mm)	WT



* = PLAIN END
 ST = SOIL TIGHT
 WT = WATER TIGHT

NOTE: ALL FITTINGS DIMENSIONS ARE FOR REFERENCE ONLY

© 2023 Advanced Drainage Systems, Inc.

	DRAWING #:	2360	
	DRAWN BY:	JCB	06.14.06
	APPROVED BY:	JCB	06.26.07
	REVISIONS:	NJP	06.14.07