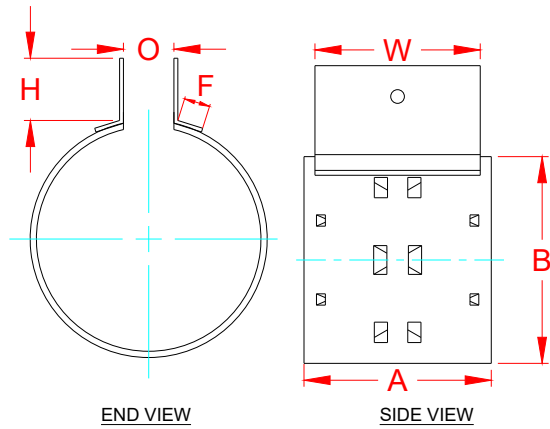


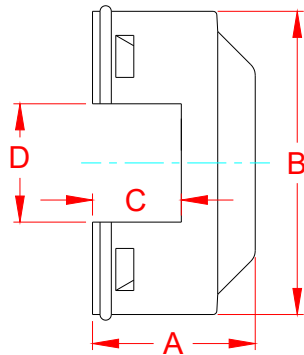
**SOILTIGHT CLEATED COUPLER FOR 4 IN PIPE DIAMETER**



**COUPLER BAND DIMENSIONS**

| PIPE Ø, in (mm) | H, in (mm)              | O, in (mm) | F, in (mm) | W, in (mm) | A, in (mm) | B, in (mm) | PRODUCT # |
|-----------------|-------------------------|------------|------------|------------|------------|------------|-----------|
| 4 (100)         | 2.00 (50)               | 1.88 (48)  | 0.75 (19)  | 3.75 (95)  | 4.30 (108) | 5.10 (130) | 0421DS    |
| 4 (100)         | 5.50 (50)               |            |            |            |            |            | 0426DS    |
| 4 (100)         | 2.00 - 24.00 (50 - 610) |            |            |            |            |            | 0491DS    |

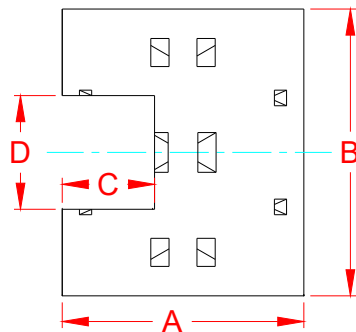
**SOILTIGHT CLEATED END CAP FOR 4 IN PIPE DIAMETER**



**END CAP BAND DIMENSIONS**

| PIPE Ø, in (mm) | A, in (mm) | B, in (mm) | C, in (mm) | D, in (mm) | PRODUCT #         |
|-----------------|------------|------------|------------|------------|-------------------|
| 4 (100)         | 2.75 (70)  | 5.13 (130) | 1.50 (38)  | 2.00 (50)  | 0433DS/<br>0493DS |

**SOILTIGHT CLEATED INTERNAL ADAPTER FOR 4 IN PIPE DIAMETER**



**ADAPTER BAND DIMENSIONS**

| PIPE Ø, in (mm) | A, in (mm) | B, in (mm) | C, in (mm) | D, in (mm) | PRODUCT #         |
|-----------------|------------|------------|------------|------------|-------------------|
| 4 (100)         | 4.00 (100) | 4.75 (120) | 1.25 (32)  | 2.00 (50)  | 0462DS/<br>0496DS |


**NOTE: ALL DIMENSIONS ARE FOR REFERENCE ONLY.**

© 2024 ADS, INC.

| 0    | -           | -  | -        | -     |
|------|-------------|----|----------|-------|
| REV. | DESCRIPTION | BY | MM/DD/YY | CHK'D |

ADVANCED DRAINAGE SYSTEMS, INC. ("ADS") HAS PREPARED THIS DETAIL BASED ON INFORMATION PROVIDED TO ADS. THIS DRAWING IS INTENDED TO DEPICT THE COMPONENTS AS REQUESTED. ADS HAS NOT PERFORMED ANY ENGINEERING OR DESIGN SERVICES FOR THIS PROJECT, NOR HAS ADS INDEPENDENTLY VERIFIED THE INFORMATION SUPPLIED. THE INSTALLATION DETAILS PROVIDED HEREIN ARE GENERAL RECOMMENDATIONS AND ARE NOT SPECIFIC FOR THIS PROJECT. THE DESIGN ENGINEER SHALL REVIEW THESE DETAILS PRIOR TO CONSTRUCTION. IT IS THE DESIGN ENGINEERS RESPONSIBILITY TO ENSURE THE DETAILS PROVIDED HEREIN MEETS OR EXCEEDS THE APPLICABLE NATIONAL, STATE, OR LOCAL REQUIREMENTS AND TO ENSURE THAT THE DETAILS PROVIDED HEREIN ARE ACCEPTABLE FOR THIS PROJECT.

**4 in Duraslot Fittings**  
DRAWING NUMBER: STD-1419



4640 TRUEMAN BLVD  
HILLIARD, OHIO 43026

|           |            |
|-----------|------------|
| DRAWN BY: | KJS        |
| DATE:     | 10-23-2024 |
| CHK'D BY: | -          |
| SCALE:    | NTS        |
| SHEET:    | 1 OF 1     |