

# Nyloplast®

## Product Guide

---



# Table of Contents

About Nyloplast.....	3
Types of Inlets.....	4
Drain Basins.....	5-7
Riser Sections.....	8
Inspection Ports.....	9
Universal Inline Drains.....	10
Inline Drains.....	11-15
Curb Inlet Structures.....	16-17
Road & Highway Structures.....	18-19
Grate Options.....	20
Weir Structure.....	21
Envirohood® Structure & Flexstorm® Inlet Protection.....	22
Pour ring, Nyloplast perforations.....	23
Add-A-Branch™ Kit.....	24
Do-it-Yourself Drain Basin Configurator.....	25
Minimum Angle Between Drain Basin Adapters Chart.....	26-27

## About Nyloplast

Nyloplast specializes in the development, manufacture and sale of PVC plastic structures for the stormwater capture market. We serve the commercial, industrial, landscaping, government, general sport/recreation, golf course and other markets with a full line of custom fabricated heavy-duty road & highway structures, curb inlet structures, drain basins, inline drains and drop-in grates.

Nyloplast Structures represent the latest in stormwater inlet technology. Their innovative combination of performance proven ductile iron grates with a rugged, heavy-duty PVC structure makes them unique in the surface drainage field.

At Nyloplast, we have seen the enormous cost of rebuilding yesterday's infrastructure, as metal and concrete systems complete their often limited service life. Today, the engineered plastic system is a reality, providing better hydraulic performance, extended service life, and cost efficiencies in installation and maintenance costs. Tomorrow, you will continue to see new products and applications from Nyloplast, the leader in drainage systems.

### Stormwater Treatment Products

We also have a full line of inserts and inlet protection devices designed to improve water quality as part of the National Pollution Discharge Elimination System (NPDES) and EPA Phase II standards.



# Types of Inlets

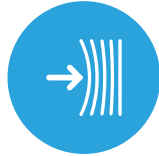
## Drain Basins

Basins are used as a collection point where one or more drain lines converge. They can provide a transition between different sizes and types of pipe and change the elevation or direction of the pipe.



### Watertight connection

Structures are shipped with rubber gaskets to ensure a watertight connection. This prevents the soil infiltration that plagues precast structures and prevents long-term settlement around the basin.



### Flexible resilient connection

Flexible connections allow minor movement to take place without compromising the structural or watertight integrity of the basin. With Nyloplast, you can connect and backfill immediately.



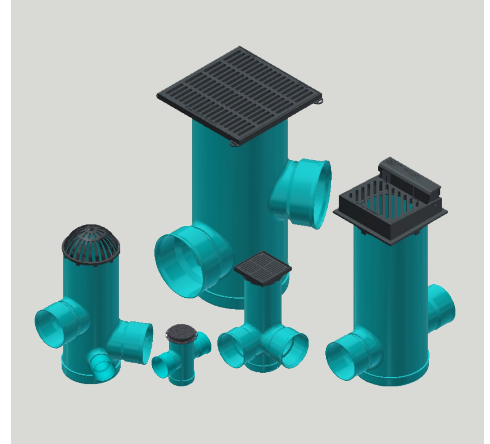
### Quick, easy and inexpensive installation

The product is lightweight and easily handled which translates into faster installation with less equipment and personnel, which results in a lower total cost.



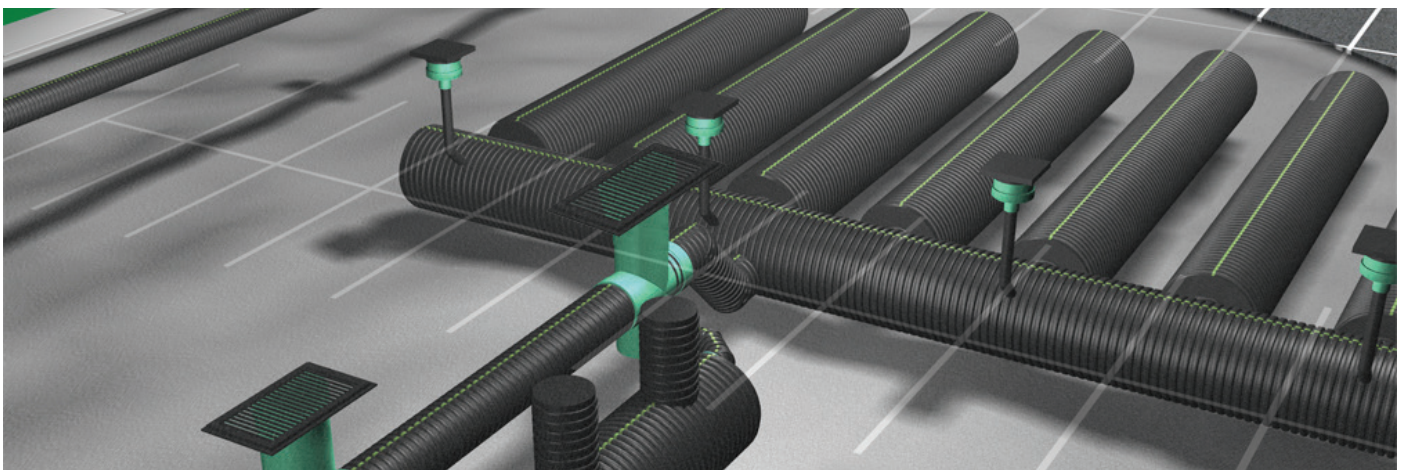
### Field Adjustments

Add-a-Branch Kits are easily adjustable in the field to meet final grade. Last minute trimming or extensions are easily made to insure proper positive drainage is achieved.



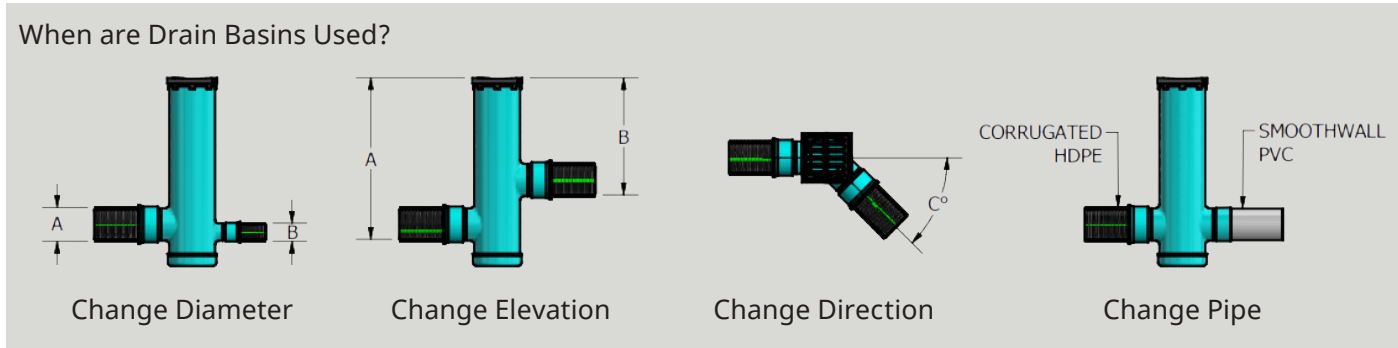
## Inline Drains

Nyloplast Inline Drains are designed to enter a storm drain line using a tee or elbow and a riser pipe. They represent the latest in storm water piping technology and their innovative combination of performance proven ductile iron grates with a rugged PVC structure makes them unique in the surface drainage industry.



# Drain Basins

Nyloplast Drain Basins are used as a collection point where one or more drain lines converge. Nyloplast basins can provide a transition between different sizes and types of pipe and change the elevation or direction of the pipe.



## Building a Drain Basin Body

Part Number	Product Description	Available Outlets
2808AG__	8" (200 mm) Custom Basin	4"-8" (100-200 mm)
2810AG__	10" (250 mm) Custom Basin	4"-10" (100-250 mm)
2812AG__	12" (300 mm) Custom Basin	4"-12" (100-300 mm)
2815AG__	15" (375 mm) Custom Basin	4"-15" (100-375 mm)
2818AG_	18" (450 mm) Custom Basin	4"-18" (100-450 mm)
2824AG__	24" (600 mm) Custom Basin	4"-24" (100-600 mm)
2830AG__	30" (750 mm) Custom Basin	4"-30" (100-750 mm)
2836AG__	36" (900 mm) Custom Basin	4"-36" (100-900 mm)



28 08 AG \_\_

- "28" is our standard drain basin series. Includes all round grate options
- The next two numbers represent the basin body diameter
- AG is the product code for Drain Basins
- The second set of numbers is the overall height of the drain basin in foot increments 3, 5, 7, 10

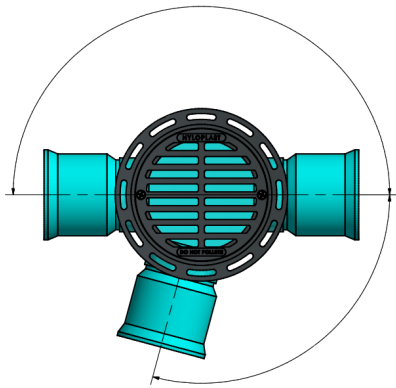
Drain Basins connect to these common pipe types: ADS N12, ADS HP, PVC SCH.40, SCH.80, PVC. If pipe type does not fit any of these please note type of pipe and outside diameter of pipe and call Nyloplast at 866-888-8479 for technical assistance.



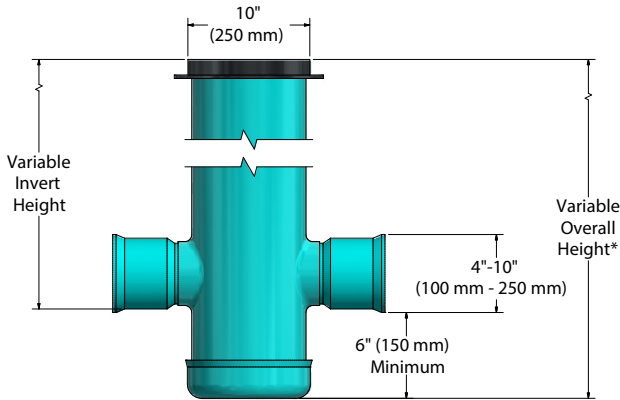
# Drain Basins

## 8" & 10" (200 & 250 mm)

All Custom Basins include grate with standard two-piece round frame & locking grate.



Branch/pipe connections can be mounted on any angle 0° to 359°. To determine angle between adapters please see chart on page 26 & 27.



\* Maximum recommended overall height is 10' with riser sections provided for basins > 7'.

## 8"-10" (200-250 mm)

### Drain Basin Grate\*\* Options



Pedestrian Safe (ADA Compliant)



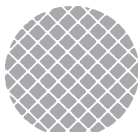
Bicycle Safe



Light Duty (7,500 pounds)



Standard



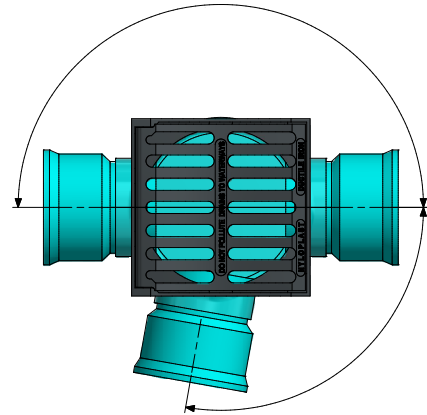
Solid



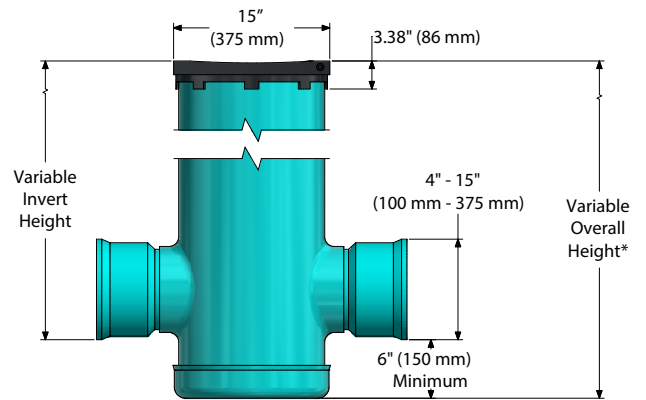
Domed

\*\*Light Duty Bronze & Drop-In Grates Available (see page 20)

## 12" & 15" (300 & 375 mm)



Adapters can be mounted on any angle 0° to 359°. To determine angle between adapters please see chart on page 26 & 27.



\* Riser sections provided for basins > 7' tall to achieve final overall height.

## 12"-15" (300-375 mm)

### Drain Basin Grate\*\* Options



Pedestrian Safe (ADA Compliant)



Bicycle Safe



Medium Duty H-10



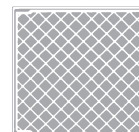
Heavy Duty H-20



Standard H-20 Rated



Pedestrian H-10 Rated



Solid

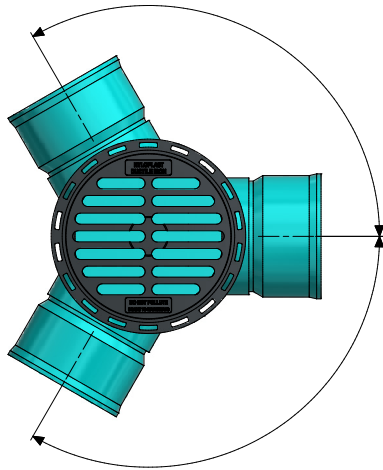


Domed

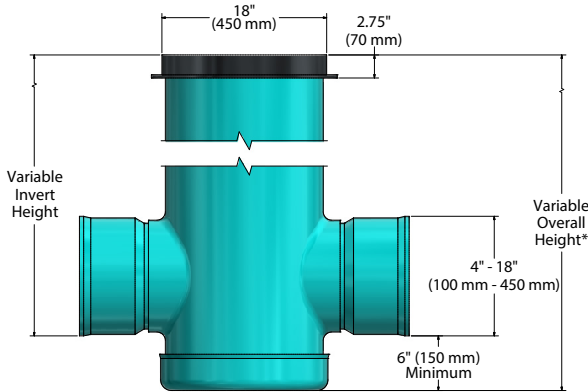
\*\* Drop-In Grates Available (see page 20)

# Drain Basins

## 18" (450 mm)

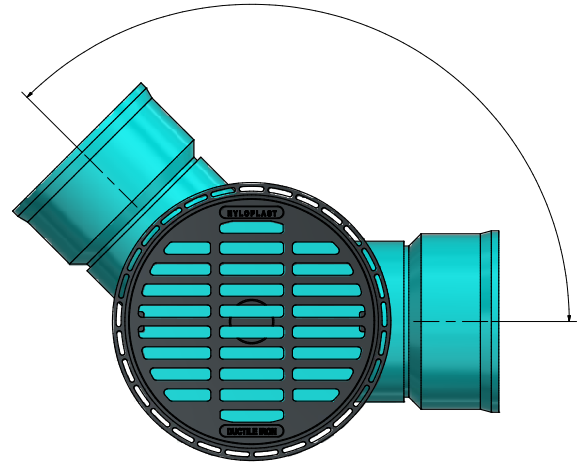


Adapters can be mounted on any angle 0° to 359°. To determine angle between adapters please see chart on page 26 & 27.

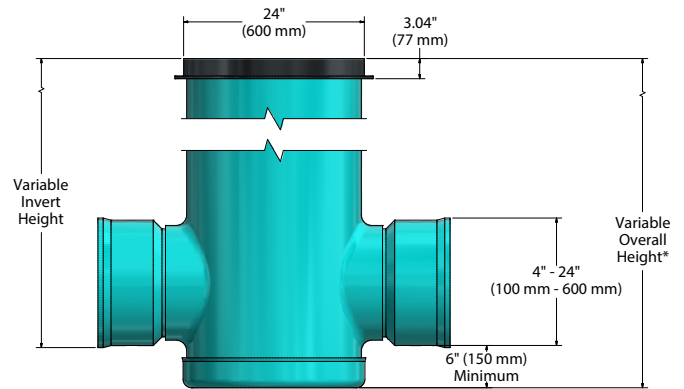


\* Riser sections provided for basins > 7' tall to achieve final overall height.

## 24" (600 mm)











Adapters can be mounted on any angle 0° to 359°. To determine angle between adapters please see chart on page 26 & 27.









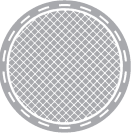

\* Riser sections provided for basins > 7' tall to achieve final overall height.

## 18" (450 mm) Drain Basin Grate Options

			
Pedestrian Safe (ADA Compliant)	Bicycle Safe	Medium Duty H-10	Heavy Duty H-20
			
Standard H-20 Rated	Pedestrian H-10 Rated	Solid	Domed

\*\*Drop-In Grates Available (see page 20)

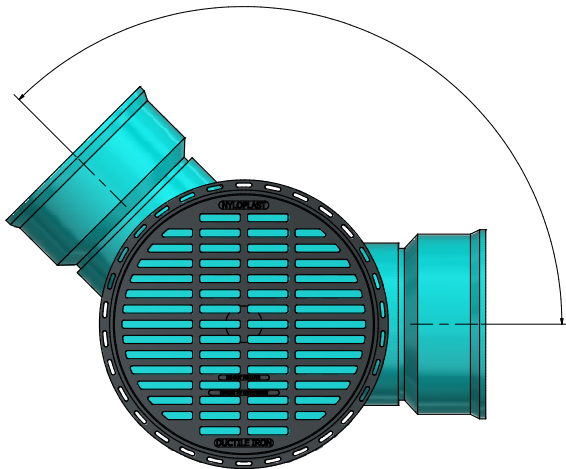
## 24" (600 mm) Drain Basin Grate\*\* Options

			
Pedestrian Safe (ADA Compliant)	Bicycle Safe	Medium Duty H-10	Heavy Duty H-20
			
Standard H-20 Rated	Pedestrian H-10 Rated	Solid	Domed

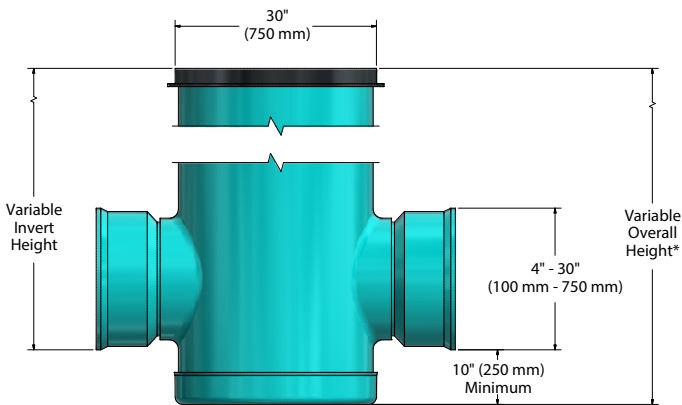
\*\*Drop-In Grates Available (see page 20)

# Drain Basins

## 30" (750 mm)



Adapters can be mounted on any angle 0° to 359°. To determine angle between adapters please see chart on page 26 & 27.



\* Riser sections provided for basins > 7' tall to achieve final overall height.

### 30" (750 mm) Drain Basin Grate Options



Bicycle Safe



Medium Duty  
H-10



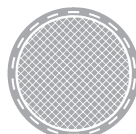
Heavy Duty  
H-20



Standard  
H-20 Rated



Pedestrian  
H-20 Rated

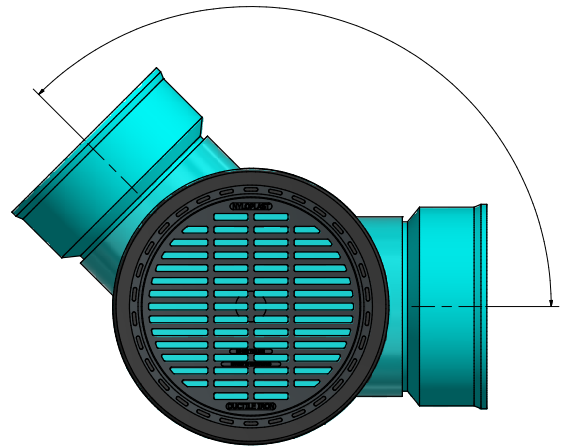


Solid

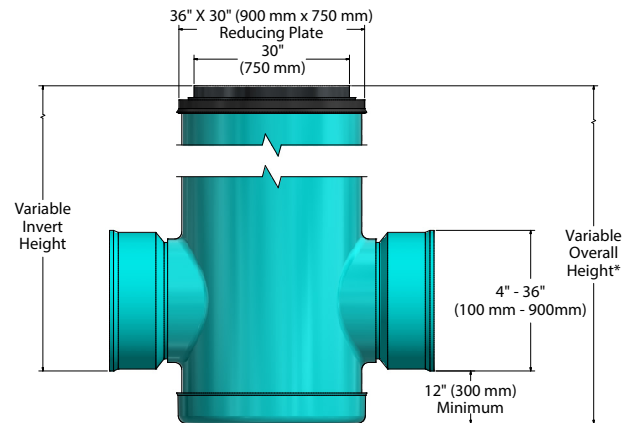


Domed

## 36" (900 mm)



Adapters can be mounted on any angle 0° to 359°. To determine angle between adapters please see chart on page 26 & 27.



\* Riser sections provided for basins > 7' tall to achieve final overall height.

### 36" (900 mm) Drain Basin Grate Options



Bicycle Safe



Medium Duty  
H-10



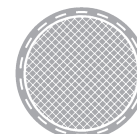
Heavy Duty  
H-20



Standard  
H-20 Rated



Pedestrian  
H-20 Rated



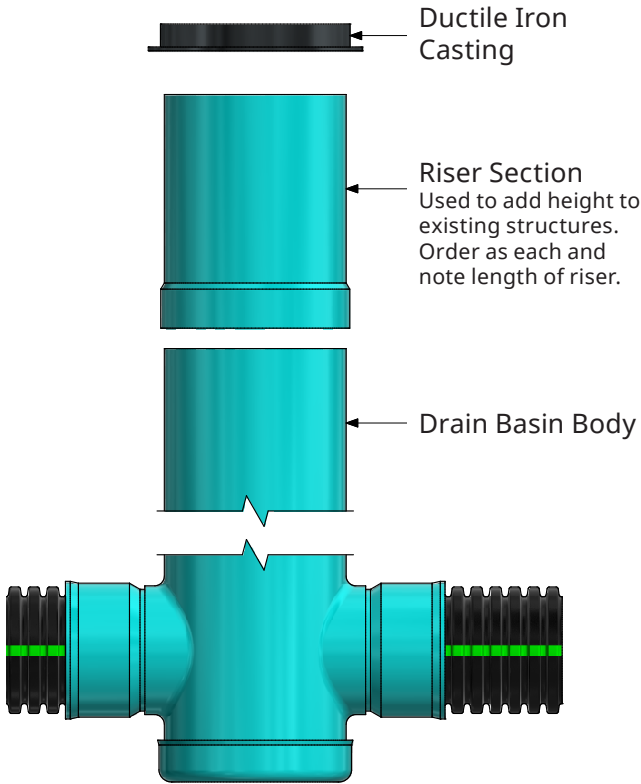
Solid



Domed

\*\* 36" (900 mm) Drain Basins will include 36"x30" (900 x 750 mm) Reducing Ring to accommodate 30" (750 mm) casting options.

# Riser Section



## Building a Riser Structure

Part Number	Product Description
2908AG__	8" (200 mm) Riser Section
2910AG__	10" (250 mm) Riser Section
2912AG__	12" (300 mm) Riser Section
2915AG__	15" (375 mm) Riser Section
2918AG__	18" (450 mm) Riser Section
2924AG__	24" (600 mm) Riser Section
2930AG__	30" (750 mm) Riser Section
2936AG__	36" (900 mm) Riser Section

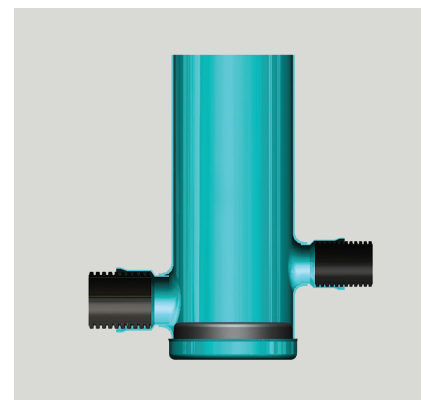
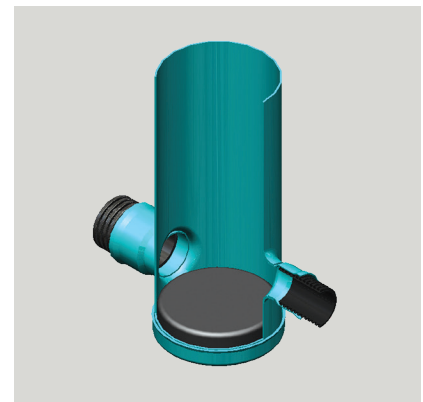
Blanks are the riser's height, choose from 01-07 (one foot- two foot).

# Sump Insert

Nyloplast offers a Sump Insert accessory that will allow our drain basins to be manufactured without a sump. This new component is the first of its kind in the industry and is designed to direct inlet water to the lowest outlet by filling in the area where the sump would normally be present.

The Sump Insert eliminates the concern of sitting water in the drain basin, thus eliminating concerns of bacterial growth and pests such as mosquitoes. This product can only be installed during production of 12"-30" (300-750 mm) diameter drain basins. The shell of the Sump Insert is made from polyethylene, which is corrosion and abrasion resistant, and is completely sealed.

Part Number	Basin Diameter
3812AGSI	12" (300 mm)
3815AGSI	15" (375 mm)
3818AGSI	18" (450 mm)
3824AGSI	24" (600 mm)
3830AGSI	30" (750 mm)





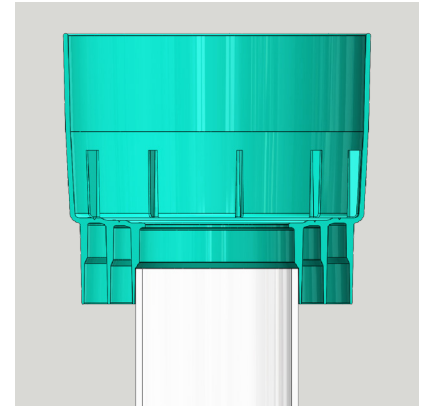
# Inspection Ports

Nyloplast Inspection Ports are an integral part of the StormTech System. They are used as an access point for internal access to the Isolator Row chamber for maintenance and clean out.

## Inspection Port Kits for StormTech Systems

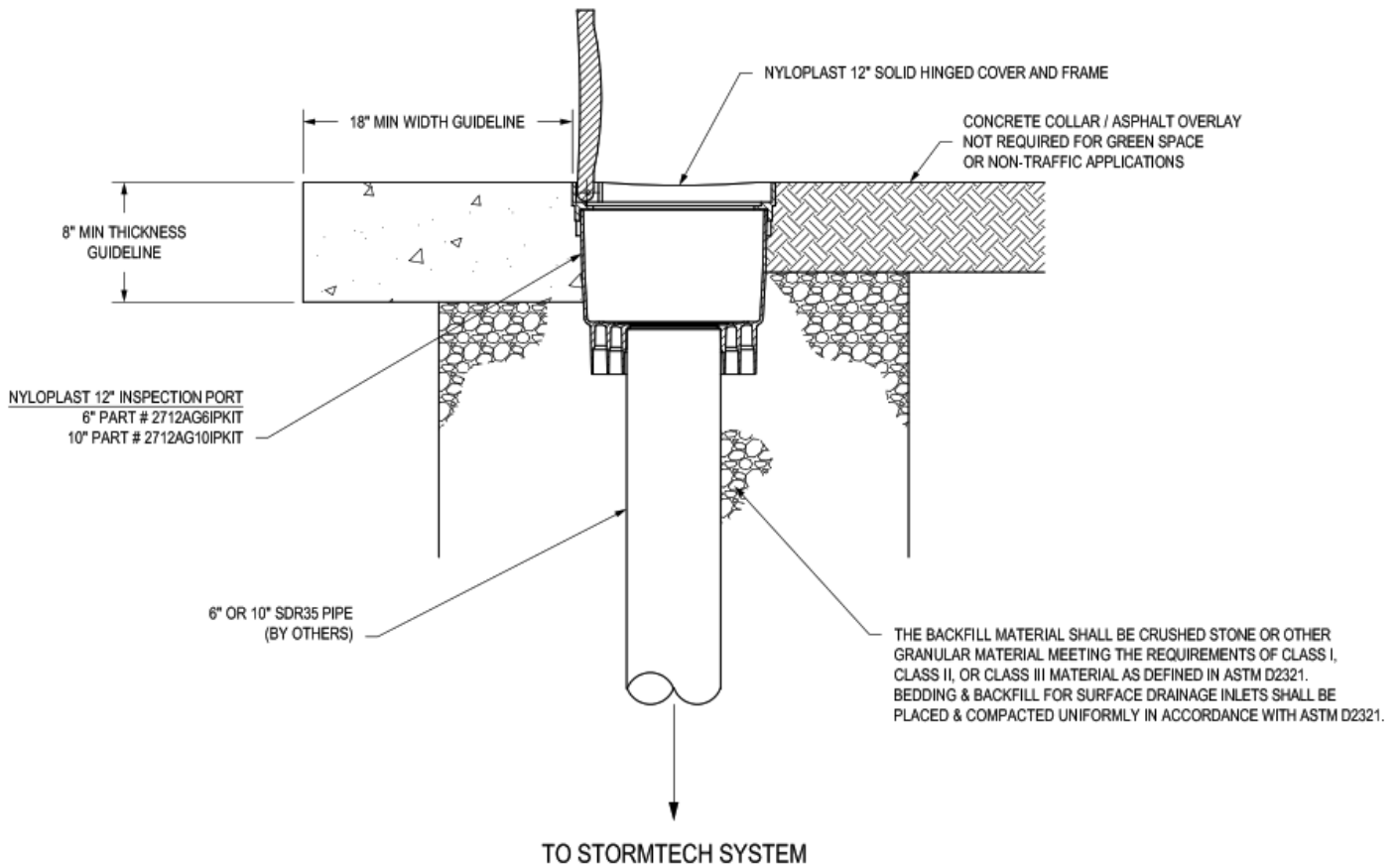
Part Number	Product Description
2708AG4IPKIT	8" X 4" (200 x 100 mm) StormTech Inspection Port Kit
2712AG6IPKIT	12" X 6" (300 x 150 mm) StormTech Inspection Port Kit
2712AG10IPKIT	12" X 10" (300 x 250 mm) StormTech Inspection Port Kit

\* \_\_IPKIT includes frame & solid cover, PVC inspection port body, SDR-35 Inserta Tee, and 4 oz. water solution bottle



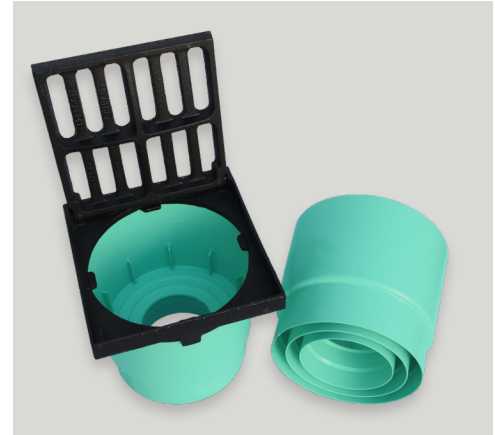
## Inspection Ports for StormTech Systems (Solid cover included; Inserta Tee not included)

Part Number	Product Description
2708AG4IP	8" X 4" (200 x 100 mm) StormTech Inspection Port ONLY
2712AG6IP	12" X 6" (300 x 150 mm) StormTech Inspection Port ONLY
2712AG10IP	12" X 10" (300 x 250 mm) StormTech Inspection Port ONLY



# Universal Inline Drains

The universal inline drain is designed for contractors seeking a durable and water-tight pipe fitting for stormwater inlets. Common applications include commercial settings, academic institutions, sports and turf fields, big box retail and grocery, multi-family and mixed-use development projects, warehouses, and large manufacturing plants.



Part Number	Product Description	Available Outlets
2712AGNB	HDPE Universal Inline Drain gasketed connections	6"-12" (150-300 mm)
2712AGSB	PVC Universal Inline Drain Glue Joint connections	6"-10" (150-250 mm)
2712AG4NB	HDPE Universal Inline Drain gasketed connections	4"-12" (100-300 mm)
2712AG4SB	PVC Universal Inline Drain Glue Joint connections	4"-10" (100-250 mm)

\* 12" HDPE outlet connections are not gasketed. Watertight connection with gasket is available upon request



**Innovative**  
Unique tapered inlet flow creates positive drainage



**Durable**  
Higher performance and durability PVC construction



**Easy**  
Fast installation, saving your customer time and money



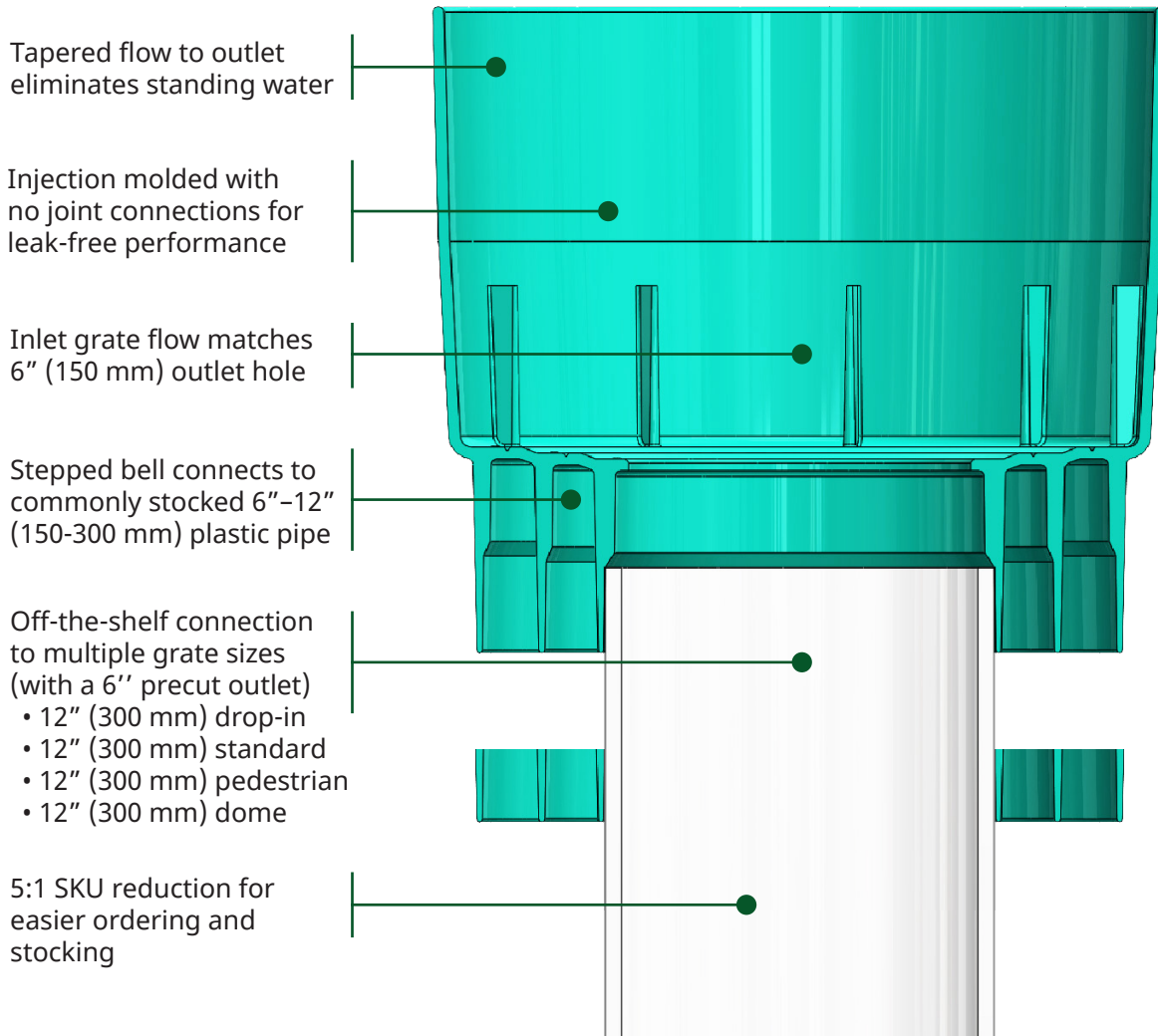
**Convenient**  
Off-the-shelf ready to ship with a variety of grate options



**Versatility**  
Product helps reduce SKUs



**Connections**  
Easily connects to any in stock plastic pipe or fitting

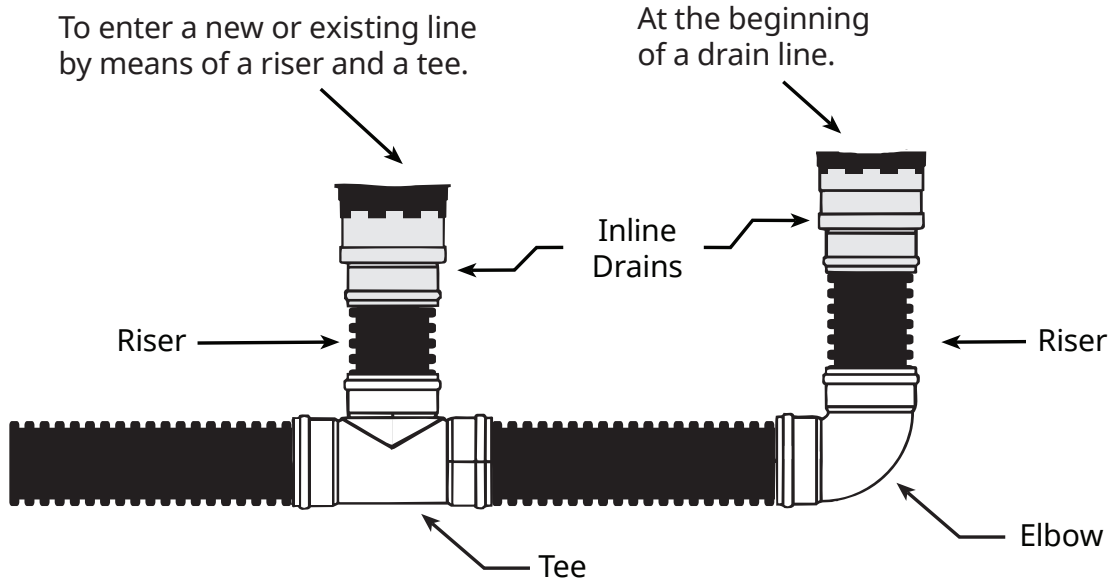


# Inline Drains

Nyloplast Inline Drains are designed to enter an existing line with a riser and tee or for use at the beginning of a drain line with an elbow and riser.

## When are Inline Drains Used?

Inline Drains allow you to match inlet capacity to pipe capacity, reducing cost of riser pipe.



## Building an Inline Drain

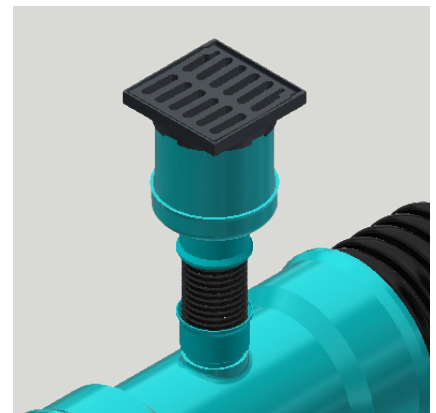
Part Number	Product Description	Available Outlets
2708AG_X	8" (200 mm) Inline Drain	4"-8" (100-200 mm)
2710AG_X	10" (250 mm) Inline Drain	4"-10" (100-250 mm)
2712AG_X	12" (300 mm) Inline Drain	4"-12" (100-300 mm)
2715AG_X	15" (375 mm) Inline Drain	4"-15" (100-375 mm)
2718AG_X	18" (450 mm) Inline Drain	4"-18" (100-450 mm)
2724AG_X	24" (600 mm) Inline Drain	4"-24" (100-600 mm)
2730AG_X	30" (750 mm) Inline Drain	4"-30" (100-750 mm)
2736AG_X	36" (900 mm) Inline Drain	4"-36" (100-900 mm)

The set of blanks is the pipe size adapting to (choose from 04, 06, 08, 10, 12, 15, 18, 24 or 30)

The **X** represents the pipe type adapting to. Replace **X** with one of the following:

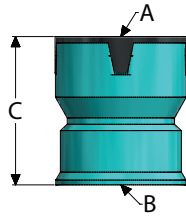
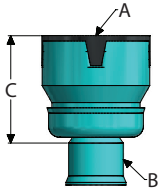
- N** = ADS dual wall pipe
- D** = DWV PVC (Sch 40 or Sch 80)
- S** = SWR PVC (ASTM D3034; SDR 35 SWR & SDR 26 SWR PVC)
- O** = Big O/Armtec

If pipe type does not fit any of these, leave **X** blank and note type of pipe and outside diameter of pipe.



# Inline Drains

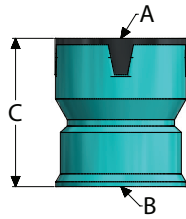
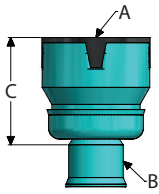
8" (200 mm) Inline Drain with one-piece Ductile Iron Grate



A in (mm)	B in (mm)	C in (mm)
8 (200)	4 (100)	7.5 (190)

A in (mm)	B in (mm)	C in (mm)
8 (200)	6 (150)	5.25 (133)

10" (250 mm) Inline Drain with one-piece Ductile Iron Grate



A in (mm)	B in (mm)	C in (mm)
10 (250)	4 (100)	8.75 (220)

A in (mm)	B in (mm)	C in (mm)
10 (250)	8 (200)	8 (200)
10 (250)	10 (250)	8 (200)

## Grate Options\*



Pedestrian Safe  
(ADA Compliant)



Bicycle Safe



Light Duty  
(7,500 pounds)



Standard



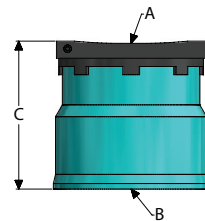
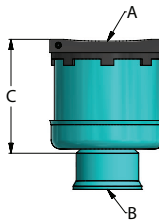
Solid



Domed

\*\*Light Duty  
Bronze Grate  
Available (see  
page 20)

12" (300 mm) Inline Drain with Ductile Iron Frame & Grate



A in (mm)	B in (mm)	C in (mm)
12 (300)	4 (100)	10.5 (265)
12 (300)	6 (150)	11.5 (290)
12 (300)	8 (200)	11.5 (290)
12 (300)	10 (250)	11.25 (285)

A in (mm)	B in (mm)	C in (mm)
12 (300)	12 (300)	6 (150)

## Grate Options\*



Pedestrian Safe  
(ADA Compliant)



Bicycle Safe



Medium Duty  
H-10



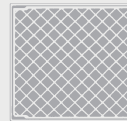
Heavy Duty  
H-20



Standard  
H-20 Rated



Pedestrian  
H-10 Rated



Solid

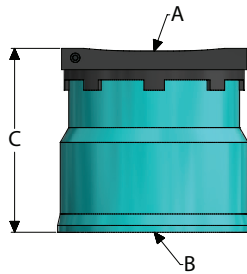
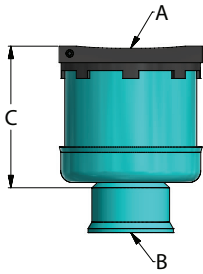


Domed

\*Light Duty Bronze Grate Available  
(see page 20)

# Inline Drains

## 15" (375 mm) Inline Drain with Ductile Iron Frame & Grate



A in (mm)	B in (mm)	C in (mm)
15 (375)	4 (100)	13.25 (265)
15 (375)	6 (150)	12.75 (318)
15 (375)	8 (200)	12.25 (306)
15 (375)	10 (250)	13.5 (338)
15 (375)	12 (300)	12.75 (318)

A in (mm)	B in (mm)	C in (mm)
15 (375)	12 (300)	6 (150)

### Grate Options\*



Pedestrian Safe  
(ADA Compliant)



Bicycle Safe



Medium Duty  
H-10



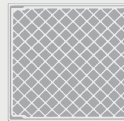
Heavy Duty  
H-20



Standard  
H-20 Rated



Pedestrian  
H-10 Rated



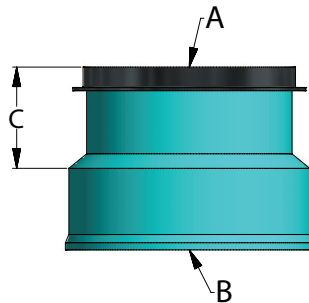
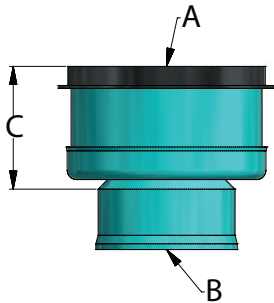
Solid



Domed

\*Light Duty Bronze Grate Available  
(see page 20)

## 18" (450 mm) Inline Drain with Ductile Iron Frame & Grate



A in (mm)	B in (mm)	C in (mm)
18 (450)	4 (100)	14 (350)
18 (450)	6 (150)	14 (350)
18 (450)	8 (200)	14 (350)
18 (450)	10 (250)	14 (350)
18 (450)	12 (300)	14 (350)
18 (450)	15 (375)	13.5 (340)

A in (mm)	B in (mm)	C in (mm)
18 (450)	18 (450)	8.25 (210)

### Grate Options\*



Pedestrian Safe  
(ADA Compliant)



Bicycle Safe



Medium Duty  
H-10



Heavy Duty  
H-20



Standard  
H-20 Rated



Pedestrian  
H-10 Rated



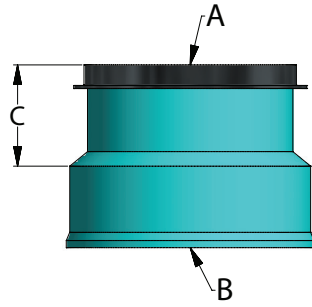
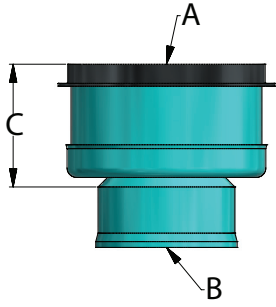
Solid



Domed

# Inline Drains

24" (600 mm) Inline Drain with Ductile Iron Frame & Grate



A in (mm)	B in (mm)	C in (mm)
24 (600)	4 (100)	15 (375)
24 (600)	6 (150)	15 (375)
24 (600)	8 (200)	15 (375)
24 (600)	10 (250)	15 (375)
24 (600)	12 (300)	15 (375)
24 (600)	15 (375)	15 (375)
24 (600)	18 (450)	10 (250)

A in (mm)	B in (mm)	C in (mm)
24 (600)	24 (600)	10.25 (260)

Grate Options\*



Pedestrian Safe  
(ADA Compliant)



Bicycle Safe



Medium Duty  
H-10



Heavy Duty  
H-20



Standard  
H-20 Rated



Pedestrian  
H-10 Rated

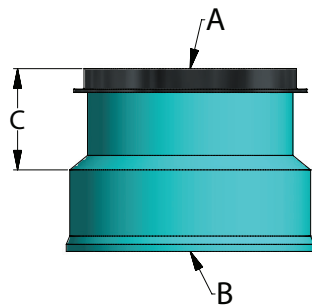
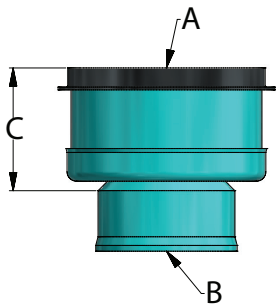


Solid



Domed

30" (750 mm) Inline Drain with Ductile Iron Frame & Grate



A in (mm)	B in (mm)	C in (mm)
30 (750)	4 (100)	15.25 (385)
30 (750)	6 (150)	15.5 (390)
30 (750)	8 (200)	15.75 (400)
30 (750)	10 (250)	16.0 (405)
30 (750)	12 (300)	16.5 (420)
30 (750)	15 (375)	17.0 (425)
30 (750)	18 (450)	17.75 (450)
30 (750)	24 (600)	14.0 (350)

A in (mm)	B in (mm)	C in (mm)
30 (750)	30 (750)	9.5 (240)

Grate Options\*



Bicycle Safe



Medium Duty  
H-10



Heavy Duty  
H-20



Standard  
H-20 Rated



Pedestrian  
H-10 Rated



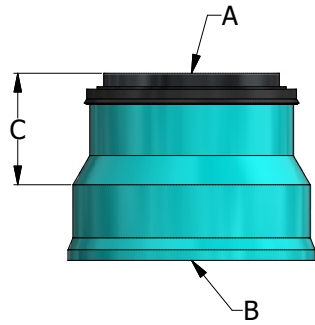
Solid



Domed

# Inline Drains

36" (900 mm) Inline Drain with Ductile Iron Frame & Grate



A in (mm)	B in (mm)	C in (mm)
30 (750)	36 (900)	15 (375)

## Grate Options\*



Bicycle Safe



Medium Duty  
H-10



Heavy Duty  
H-20



Standard  
H-20 Rated



Pedestrian  
H-10 Rated



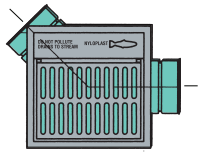
Solid



Domed

# Curb Inlet Structures

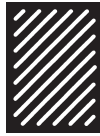
Nyloplast Curb Inlet Structures include all the advantages of our drain basins and fit drainage pipe up to 36". The curb inlet hoods have a "do-not-pollute" message, and are fully adjustable—as is the grate position—to make installation easier.



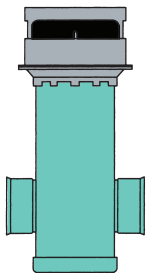
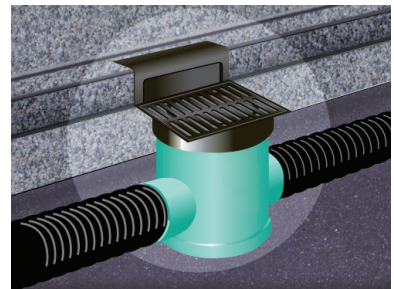
TOP VIEW



Curb Inlet 2' x 2' (600 x 600 mm) Standard Grate



Curb Inlet 2' x 2' (600 x 600 mm) Diagonal Flow Grate



SIDE VIEW



Curb Inlet 2' x 3' (600 x 900 mm) Diagonal Flow Grate



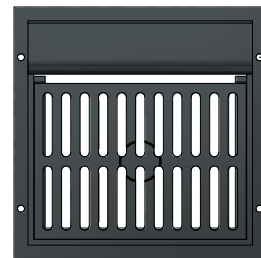
Curb Inlet 2' x 3' (600 x 900 mm) High Flow Vane Grate



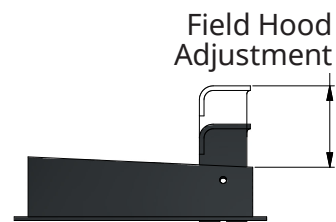
Double Curb Inlet For use with 30" & 36" basins only.

## Building a Curb Inlet Structure

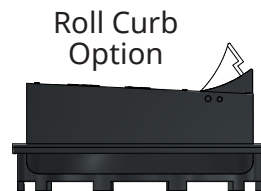
Part Number	Product Description	Available Outlets
3012AGS__	2' x 2' (.6 x .6 m) Square Grate	4"-12" (100-300 mm)
3015AGS__	2' x 2' (.6 x .6 m) Square Grate	4"-15" (100-375 mm)
3018AGS__	2' x 2' (.6 x .6 m) Square Grate	4"-18" (100-450 mm)
3024AGS__	2' x 2' (.6 x .6 m) Square Grate	4"-24" (100-600 mm)
3030AGS__	2' x 2' (.6 x .6 m) Square Grate	4"-30" (100-750 mm)
3036AGS__	2' x 2' (.6 x .6 m) Square Grate	4"-36" (100-900 mm)
3018AGR__	2' x 3' (.6 x .9 m) Rectangle Grate	4"-18" (100-450 mm)
3024AGR__	2' x 3' (.6 x .9 m) Rectangle Grate	4"-24" (100-600 mm)
3030AGR__	2' x 3' (.6 x .9 m) Rectangle Grate	4"-30" (100-750 mm)
3036AGR__	2' x 3' (.6 x .9 m) Rectangle Grate	4"-36" (100-900 mm)



Field Frame Adjustment



Field Hood Adjustment



Roll Curb Option

The second set of numbers is the overall height of the drain basin in foot increments 3, 5, 7, 10

Drain Basin connects to these common pipe types:

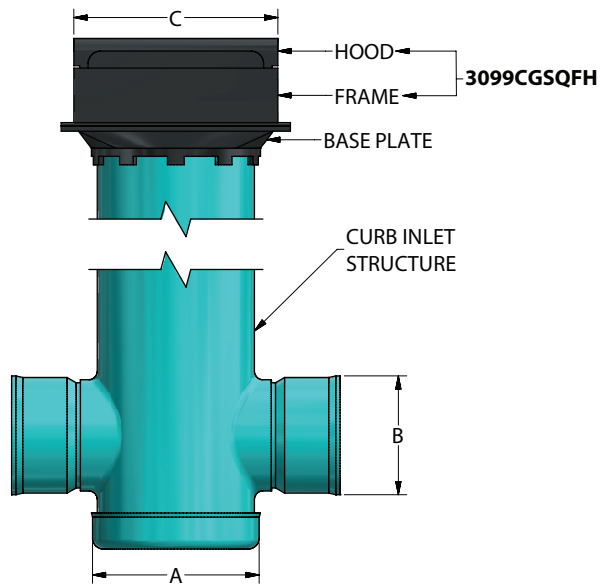
- N** = ADS dual wall pipe
- D** = DWV PVC (Sch 40 or Sch 80)
- S** = SWR PVC (ASTM D3034; SDR 35 SWR & SDR 26 SWR PVC)
- O** = Big O/Armtac

If pipe type does not fit any of these please note type of pipe and outside diameter of pipe and call Nyloplast at 866-888-8479 for technical assistance.

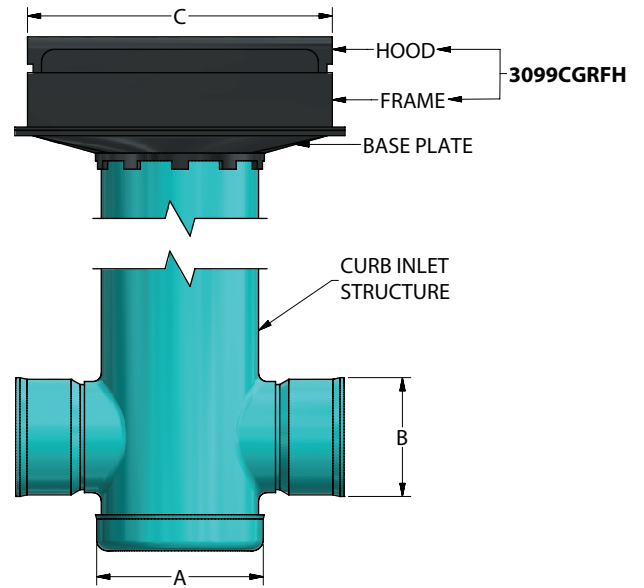


# Curb Inlet Structures

Curb Inlets with a 2' x 2' (.6 x .6 m) Grate



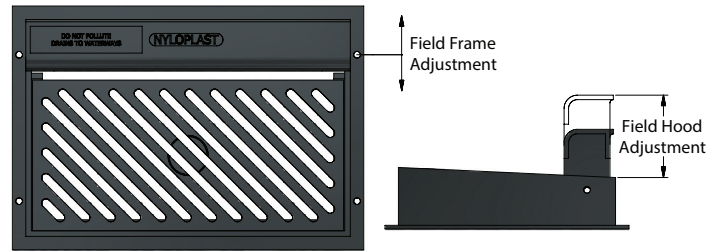
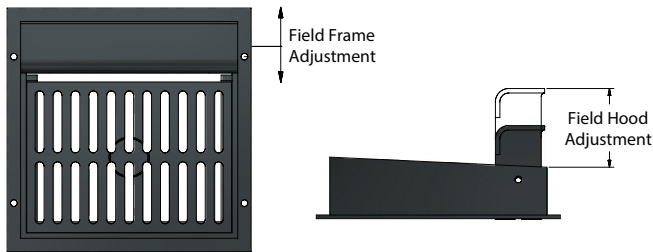
Curb Inlets with a 2' x 3' (.6 x .9 m) Grate



A in (mm)	B in (mm)	C in (mm)
12 (300)	4-12 (100-300)	24x24 (600x600)
15 (375)	4-15 (100-375)	24x24 (600x600)
18 (450)	4-18 (100-450)	24x24 (600x600)
24 (600)	4-24 (100-600)	24x24 (600x600)
30 (750)	4-30 (100-750)	24x24 (600x600)
36 (900)	4-36 (100-900)	24x24 (600x600)

A in (mm)	B in (mm)	C in (mm)
18 (450)	4-18 (100-450)	24x36 (600x900)
24 (600)	4-24 (100-600)	24x36 (600x900)
30 (750)	4-30 (100-750)	24x36 (600x900)
36 (900)*	4-36 (100-900)	24x36 (600x900)

\* 36x30 (900x750 mm) reducing ring will be included to accommodate 30" (750 mm) curb castings



## Curb Inlet Grate Options



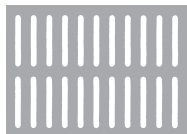
Bicycle Safe



Medium Duty  
H-10



Heavy Duty  
H-20



Standard H-20



Diagonal Flow H-20

## Curb Inlet Grate Options



Bicycle Safe



Medium Duty  
H-10



Heavy Duty  
H-20



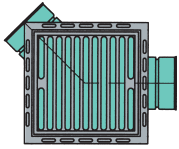
Diagonal Flow



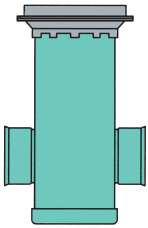
High Flow Vane  
(Roll Curb: right or left flow) 17

# Road & Highway Structures

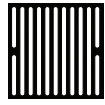
Nyloplast Road & Highway Structures offer all of the Nyloplast product benefits such as heavy-duty construction, easy, economical installation and a watertight system. Plus, our H-20 rated ductile iron grates provide maximum strength for traffic applications.



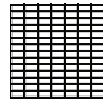
TOP VIEW



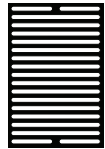
SIDE VIEW



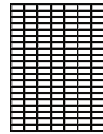
Road & Highway  
2' x 2' (600 x 600 mm)  
Square Grate



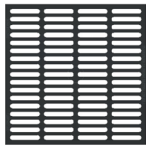
Road & Highway  
2' x 2' (600 x 600 mm)  
Steel Bar Grate & Frame



Road & Highway  
2' x 3' (600 x 900 mm)  
Rectangular Grate



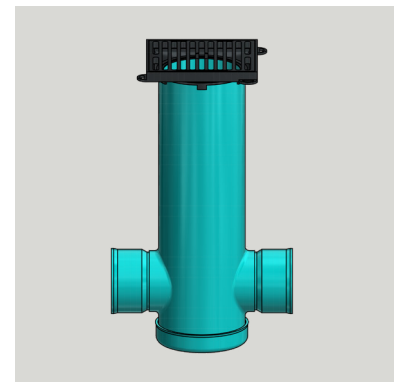
Road & Highway  
2' x 3' (600 x 900 mm)  
Steel Bar Grate & Frame



Road & Highway  
3' x 3' (900 x 900 mm) Square Grate  
Available for 24", 30" & 36" Basins only.

## Building a Road & Highway Structure

Part Number	Product Description	Available Outlets
3212AGS__	2' x 2' (.6 x .6 m) Square Grate	4"-12" (100-300 mm)
3215AGS__	2' x 2' (.6 x .6 m) Square Grate	4"-15" (100-375 mm)
3218AGS__	2' x 2' (.6 x .6 m) Square Grate	4"-18" (100-450 mm)
3224AGS__	2' x 2' (.6 x .6 m) Square Grate	4"-24" (100-600 mm)
3230AGS__	2' x 2' (.6 x .6 m) Square Grate	4"-30" (100-750 mm)
3236AGS__	2' x 2' (.6 x .6 m) Square Grate	4"-36" (100-900 mm)
3218AGR__	2' x 3' (.6 x .9 m) Rectangle Grate	4"-18" (100-450 mm)
3224AGR__	2' x 3' (.6 x .9 m) Rectangle Grate	4"-24" (100-600 mm)
3230AGR__	2' x 3' (.6 x .9 m) Rectangle Grate	4"-30" (100-750 mm)
3236AGR__	2' x 3' (.6 x .9 m) Rectangle Grate	4"-306" (100-900 mm)



The second set of numbers is the overall height of the drain basin in foot increments 3, 5, 7, 10

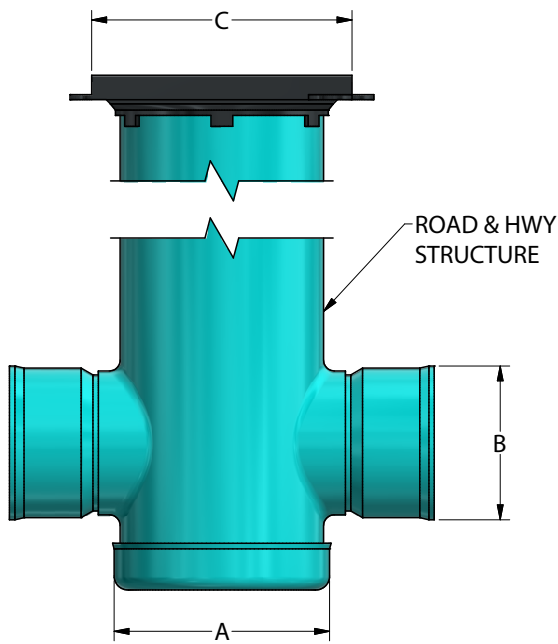
Drain Basin connects to these common pipe types:

- N** = ADS dual wall pipe
- D** = DWV PVC (Sch 40 or Sch 80)
- S** = SWR PVC (ASTM D3034; SDR 35 SWR & SDR 26 SWR PVC)
- O** = Big O/Armttec

If pipe type does not fit any of these please note type of pipe and outside diameter of pipe and call Nyloplast at 866-888-8479 for technical assistance.

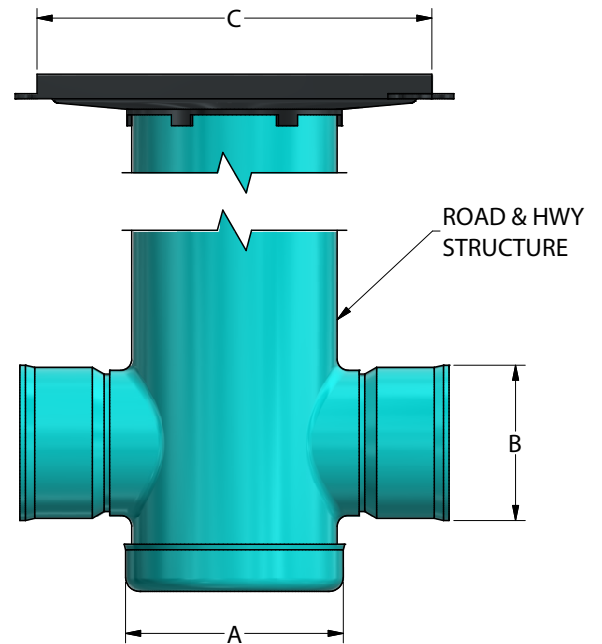
# Road & Highway Structures

## Road & Highway Structures with 2' x 2' Grate



A in (mm)	B in (mm)	C in (mm)
12 (300)	4-12 (100-300)	24x24 (600x600)
15 (375)	4-15 (100-375)	24x24 (600x600)
18 (450)	4-18 (100-450)	24x24 (600x600)
24 (600)	4-24 (100-600)	24x24 (600x600)
30 (750)	4-30 (100-750)	24x24 (600x600)
36 (900)	4-36 (100-900)	24x24 (600x600)

## Road & Highway Structures with 2' x 3' Grate



A in (mm)	B in (mm)	C in (mm)
18 (450)	4-18 (100-450)	24x36 (600x900)
24 (600)	4-24 (100-600)	24x36 (600x900)
30 (750)	4-30 (100-750)	24x36 (600x900)
36 (900)	4-36 (100-900)	24x36 (600x900)

## Road & Highway Grate Options



Bicycle Safe



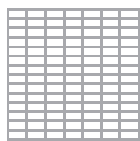
Medium Duty  
H-10



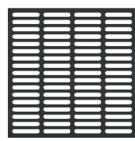
Heavy Duty  
H-20



Ductile  
Iron Grate



Steel Bar  
Grate



Road &  
Highway



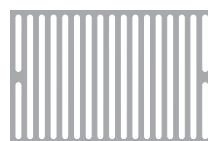
Bicycle Safe



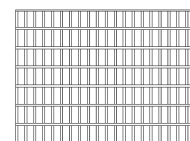
Medium Duty  
H-10



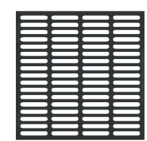
Heavy Duty  
H-20



Ductile  
Iron Grate



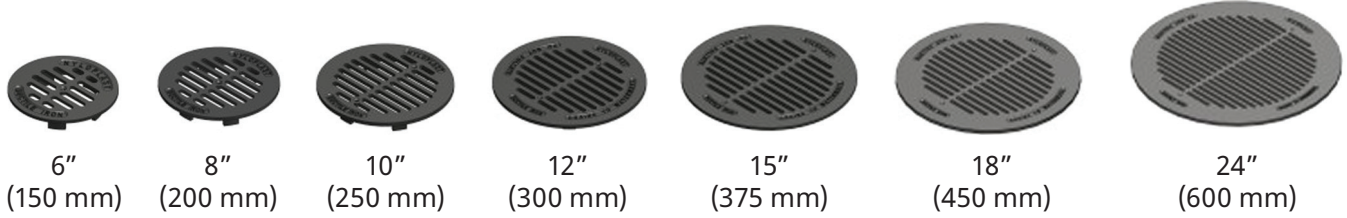
Steel Bar  
Grate



Road &  
Highway

# Grate Options

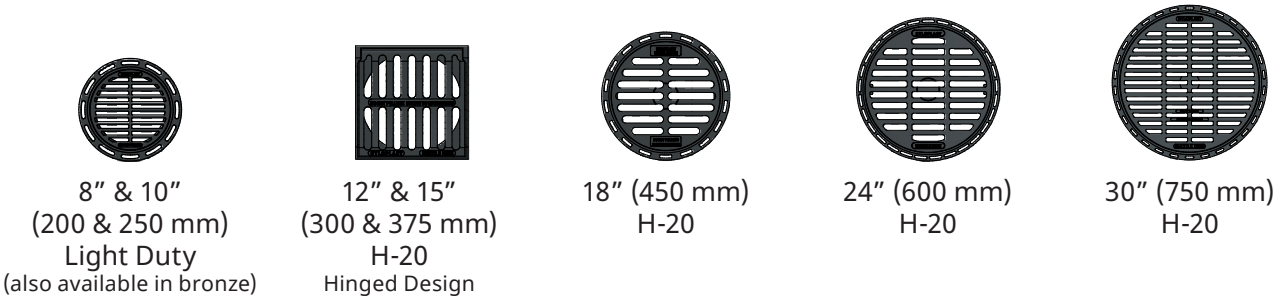
## Drop-In Grates



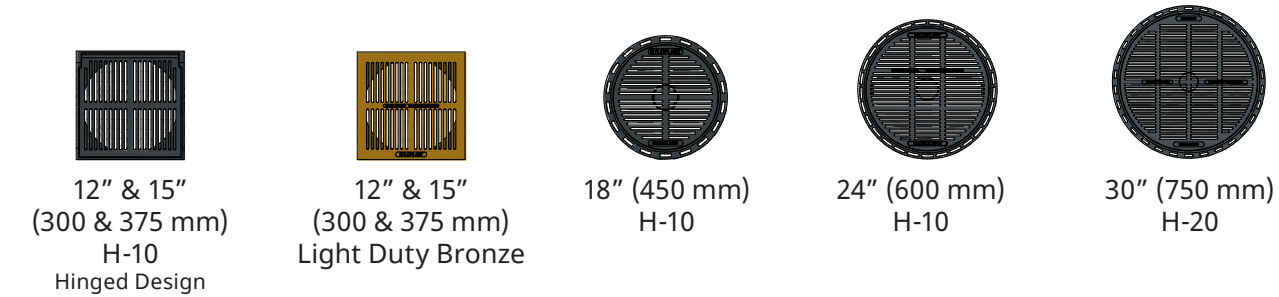
## Domed Grates



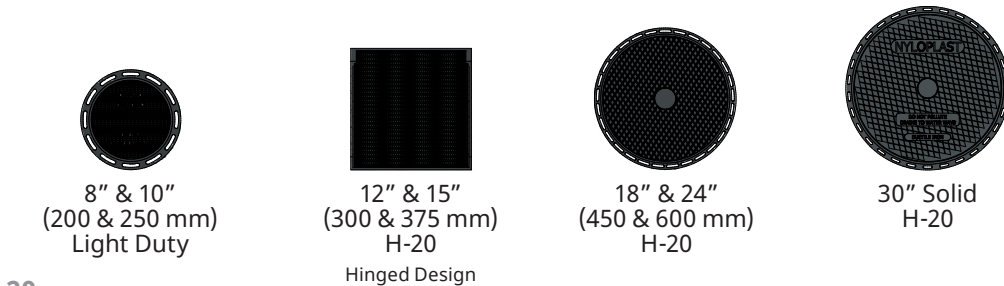
## Standard Grates



## Pedestrian Grates



## Solid Cover Grates



# NPDES\* Phase II Accessories

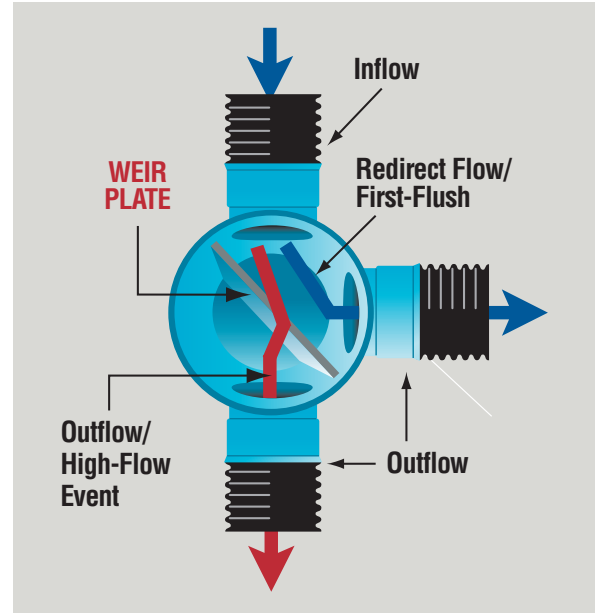
## Weir Structure

### How it Works

- Stormwater flows into the Nyloplast catch basin structure.
- The water flow is diverted to a desired outlet from the catch basin, typically to a water quality device, in order to effectively capture pollutants during the “first flush” of a storm event.
- The Weir Structure may also serve to restrict or regulate the flow of water exiting the drainage system. The restriction is determined by height of the weir and/ or the size of the orifice hole in the weir plate.

### Benefits

- Simple and effective method to direct the inlet flow into a stormwater management system or water quality device.
- Simple and effective method to regulate outlet flow from a stormwater management system.
- Enhances ability of a water quality device to capture pollutants from storm event.
- Re-direct water flow during a high-flow event.
- Nyloplast can customize Weir Structures to provide a variety of weir functions for site-specific needs, including “key way slot” and “v-notch” weir designs, and high flow or low flow orifice hole designs to further regulate the flow of storm water.



The blank is the height of structure, either 5' or 10' (1.5 or 3 m).

Part Number	Product Description
2824AG_WE	24" (600 mm) Custom Basin with Grate & Weir
2830AG_WE	30" (750 mm) Custom Basin with Grate & Weir
2836AG_WE	36" (900 mm) Custom Basin with Grate & Weir
3024AGS_WE	24" (600 mm) Curb Inlet Structure with 2' x 2' (0.6 x 0.6 m) Grate & Weir
3030AGS_WE	30" (750 mm) Curb Inlet Structure with 2' x 2' (0.6 x 0.6 m) Grate & Weir
3036AGS_WE	36" (900 mm) Curb Inlet Structure with 2' x 2' (0.6 x 0.6 m) Grate & Weir
3024AGR_WE	24" (600 mm) Curb Inlet Structure with 2' x 3' (0.6 x 0.9 m) Grate & Weir
3030AGR_WE	30" (750 mm) Curb Inlet Structure with 2' x 3' (0.6 x 0.9 m) Grate & Weir
3036AGR_WE	36" (900 mm) Curb Inlet Structure with 2' x 3' (0.6 x 0.9 m) Grate & Weir
3224AGS_WE	24" (600 mm) Road & Hwy Structure with 2' x 2' (0.6 x 0.6 m) Grate & Weir
3230AGS_WE	30" (750 mm) Road & Hwy Structure with 2' x 2' (0.6 x 0.6 m) Grate & Weir
3236AGS_WE	36" (900 mm) Road & Hwy Structure with 2' x 2' (0.6 x 0.6 m) Grate & Weir
3224AGR_WE	24" (600 mm) Road & Hwy Structure with 2' x 3' (0.6 x 0.9 m) Grate & Weir
3230AGR_WE	30" (750 mm) Road & Hwy Structure with 2' x 3' (0.6 x 0.9 m) Grate & Weir
3236AGR_WE	36" (900 mm) Road & Hwy Structure with 2' x 3' (0.6 x 0.9 m) Grate & Weir

\*National Pollutant Discharge Elimination System

# Water Quality and Quality Control Accessories

## EnviroHood Structure

EnviroHood is a stormwater management device attached to the inside of a catch basin or manhole. Envirohood is designed to prevent the outflow of floating debris and oil.

EnviroHood offers lower installed costs and less intrusive water quality installations than competitive devices.

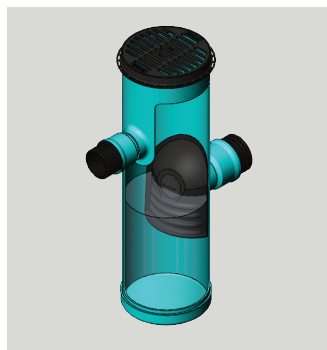
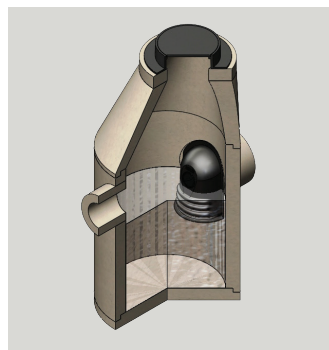
Envirohood incorporates the same proven corrugation technology used on ADS N-12® pipe. This delivers maximum strength and ensures the structure supports the hydraulic forces of a rainfall event.

### Features & Benefits

- Molded from HDPE for lightweight & sturdy design
- Corrugated design eliminates flat surfaces and provides increased structural capacity
- Effective low-cost solution for storm water treatment
- Easy to clean
- Highly corrosion-resistant for long service life

### How to order

- Size of basin must be 18" (450 mm), 24" (600 mm) or 30" (750 mm)
- Number of stubs
- Contact Nyloplast for EnviroHood and weir minimum angles (standard chart does not apply)
- Sump depth sufficient (see table page 28 for minimum sump requirement)
- Must have part number and price on individual line on order
- EnviroHood should be ordered on the specific EnviroHood order form on page 33
- Part number specifies the size of stub, but should also be notated on the drawing/order form, and must signify which stub will accept the EnviroHood



## FlexStorm Inlet Protection

FlexStorm Lite™ and FlexStorm Pure™ inlet filters are the preferred choice for stormwater runoff control. FlexStorm Lite is a temporary and re-usable solution to use during construction, while FlexStorm Pure provides permanent inlet protection. Both FlexStorm Lite and FlexStorm Pure comply with ASTM D8057 standard specification for inlet filters with a rigid frame and are configured to fit into any drain structure.



### Applications

- Roadway construction
- Commercial developments
- Car washes
- Maintenance
- Residential developments
- Gas stations
- Parking lots
- Industrial
- Dock drains
- Loading ramps

### Features & Benefits

- Frames configured to fit Nyloplast storm drainage structure
- Works below grade with bypass to drain area if the bag is full or in a heavy rain event
- Installed and maintained by one worker, without additional equipment
- Reduces jobsite flooding and keeps projects running
- Rigid frame supports itself on ledge, even when grate is removed, and bag is full
- Prevents siltation and pollution of rivers, lakes, and ponds



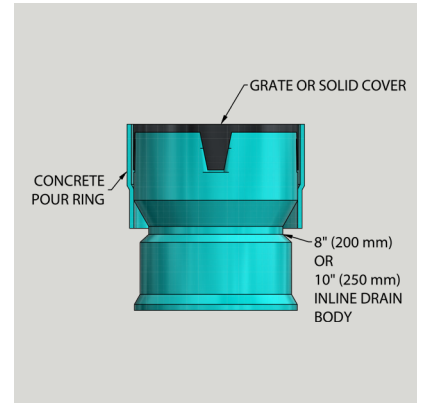
# Water Quality Control Accessories

## Pour Ring

The pour ring is used with 8" and 10" (200 & 250 mm) inline drains. This allows for removal of the grate when body is encased.

Part Number	Product Description
2708AGCPR	8" (200 mm) Pour Ring
2710AGCPR	10" (250 mm) Pour Ring

\* For use with 8" & 10" (200 & 250 mm) inline drains with standard, soild, domed, or bronze grates.

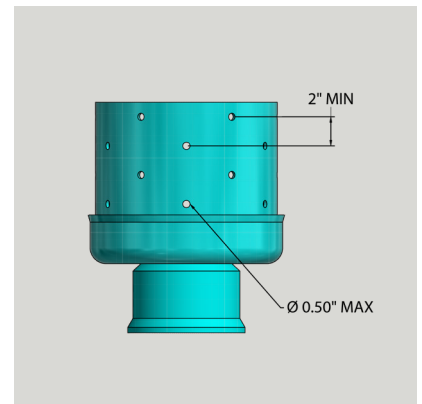
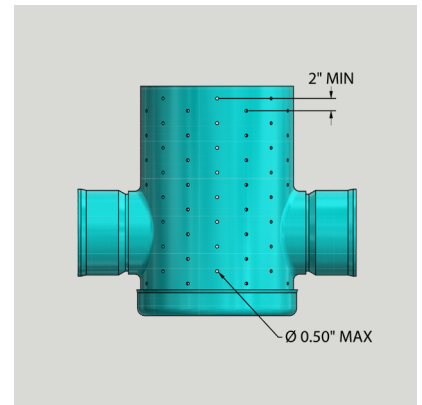


## Perforations

Perforations can be added to any structure for an additional charge. Holes are 3/8" (9 mm).

Please make note on the drawing/order and include information or diagram for placement. Consult the perforation details below.

Basin Size	Angle Between Holes	Number of Holes	Distance Between Holes
8" (200 mm)	90°	4	2" (50 mm)
10" (250 mm)	90°	4	2" (50 mm)
12" (300 mm)	60°	6	2" (50 mm)
15" (375 mm)	60°	6	2" (50 mm)
18" (450 mm)	45°	8	2" (50 mm)
24" (600 mm)	45°	8	2" (50 mm)
30" (750 mm)	36°	10	2" (50 mm)
36" (900 mm)	30°	12	2" (50 mm)



## Alternate Pipe Connections

An additional charge per adapter applies to all products adapting to:

- 4"-24" (100-600 mm) gasketed C900/C905
- 4"-24" (100-600 mm) gasketed IPS
- 21, 24, 30, 36" gasketed SWR
- 24" gasketed SWR
- RCP, CMP, Others
- 30" (750 mm) A2000

# Add-A-Branch™ Kit

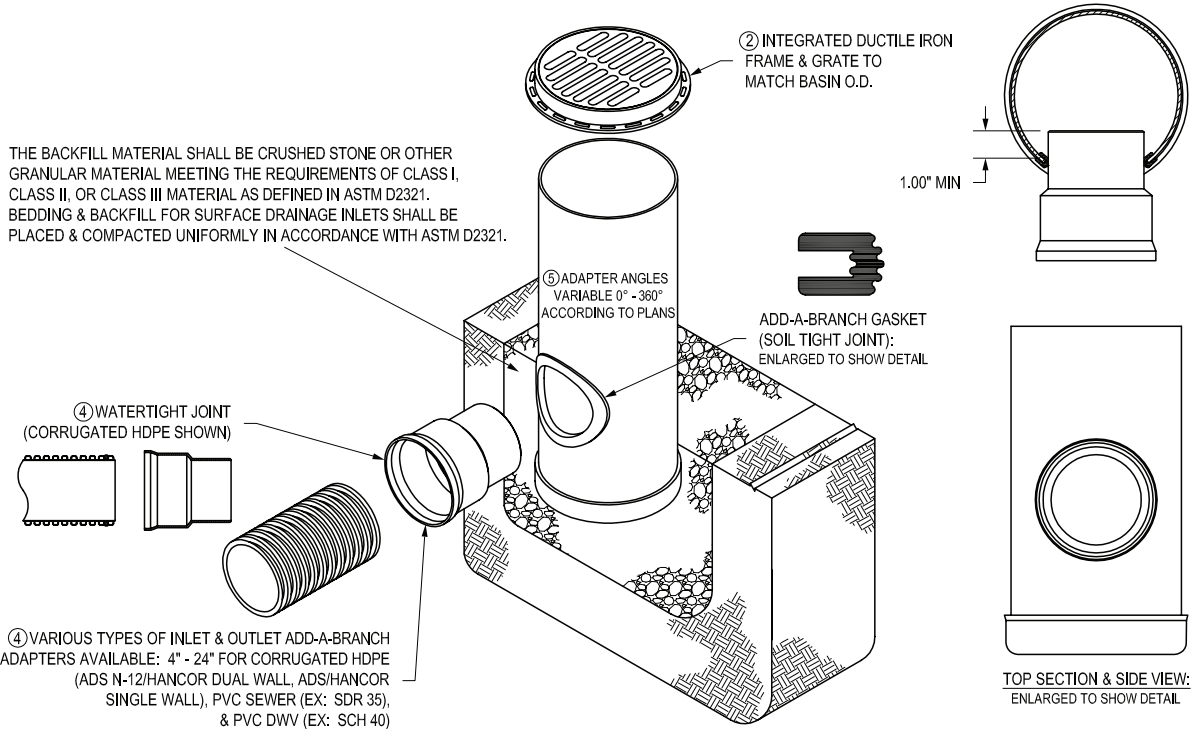
Nyloplast Add-a-Branch kits are a quick and cost-effective way to connect 4-24" (100-600 mm) diameter lateral pipes to Nyloplast Drain Basins in the field. Using an Add-a-Branch kit provides flexibility during the installation phases of a job site when unknown variables may be expected or encountered.

When you have to make field connections, use Nyloplast and Add-a-Branch to save you time and money. Avoid time to knockout precast concrete and time for grouting and curing of concrete. Add a branch installs 3-4 times faster than traditional connection methods.



Pipe Size	Part Number	Min. Basin Size
4" (100 mm)	6004AG_	8" (200 mm)
6" (150 mm)	6006AG_	10" (250 mm)
8" (200 mm)	6008AG_	12" (300 mm)
10" (250 mm)	6010AG__	15" (375 mm)
12" (300 mm)	6012AG_	18" (450 mm)
15" (375 mm)	6015AG_	24" (600 mm)
4" (100 mm)	6004AG_30	SPEC. TO 30" (750 mm) & 36" (900 mm)
6" (150 mm)	6006AG_30	SPEC. TO 30" (750 mm) & 36" (900 mm)
8" (200 mm)	6008AG_30	SPEC. TO 30" (750 mm) & 36" (900 mm)
10" (250 mm)	6010AG_30	SPEC. TO 30" (750 mm) & 36" (900 mm)
12" (300 mm)	6012AG_30	SPEC. TO 30" (750 mm) & 36" (900 mm)
15" (375 mm)	6015AG_30	SPEC. TO 30" (750 mm) & 36" (900 mm)
18" (450 mm)	6018AG_30	SPEC. TO 30" (750 mm) & 36" (900 mm)
24" (600 mm)	6024AG_36	SPEC. TO 36" (900 mm)

\* The "\_" space in the \_ part number is either "N" for N-12®, "S" for SDR, or "D" for DWV.





# Do-it-Yourself Drain Basin Configurator

The Drain Basin Configurator design program automatically designs a Nyloplast drain structure quickly and easily online. Entering basic design or plan page information enables the proprietary software to customize a basin for any project. Input sections include type of pipe, basin diameter and details for each branch, including diameter, angle and invert height. Any miscalculations are avoided as the program automatically guides you to the correct measurement(s). The program then provides a shop drawing and downloadable product detail that can be immediately ordered or saved in the user's private account.

## Features & Benefits



Automatic design is quick, easy and customizable for any project



Online accounts can store multiple projects to order or save for a later date



Submit to order button for faster, accurate order processing



Option for blank basins using Add-A-Branch or Insert-a-tee for pipe connections



Expanded grate options including our new 36" x 36" (900 x 900 mm) double curb castings



Design basins with internal stainless steel weir plates and/or Envirohood accessory



Basin and accessory part codes added to shop drawings for easy reference



Products arrive on the job site ready to install

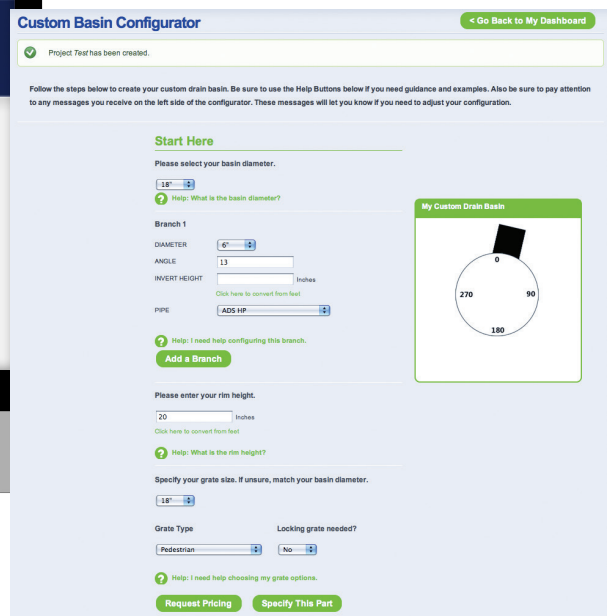


Installation is quick, safe and simple



Minimal labor contributes to immediate cost savings all around

The Drain Basin Configurator can be found at [www.adspipe.com](http://www.adspipe.com), or at [www.basinconfigurator.com](http://www.basinconfigurator.com)



# Minimum Angle Between Adapters for Drain Basins

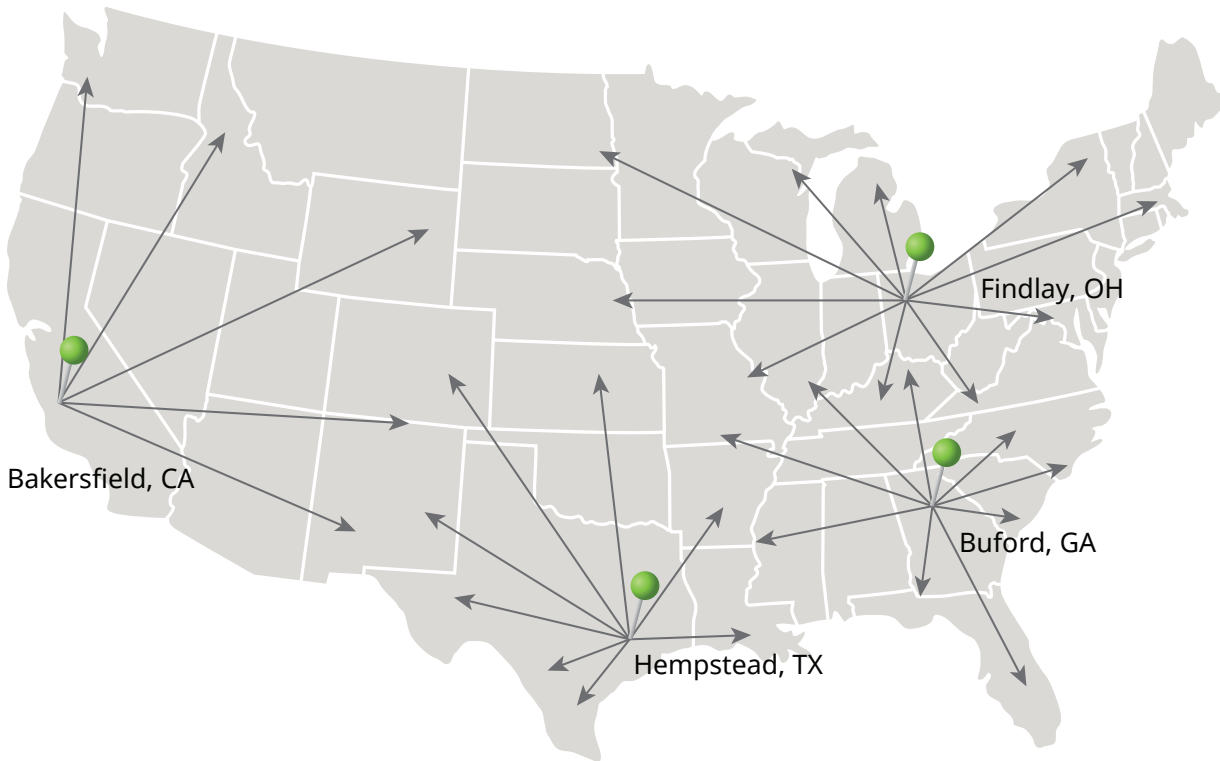
Adapter Size	Basin Size in. (mm)							
	8 (200)	10 (250)	12 (300)	15 (375)	18 (450)	24 (600)	30 (750)	36 (900)
4" - 4" (100-100 mm)	70°	55°	50°	42°	35°	25°	24°	20°
4" - 6" (100-150 mm)	75°	70°	55°	47°	40°	29°	25°	24°
4" - 8" (100-200 mm)	100°	80°	65°	55°	45°	35°	28°	27°
4" - 10" (100-250 mm)	-	95°	75°	62°	52°	40°	32°	30°
4" - 12" (100-300 mm)	-	-	85°	70°	55°	45°	40°	33°
4" - 15" (100-375 mm)	-	-	-	80°	65°	51°	44°	38°
4" - 18" (100-450 mm)	-	-	-	-	76°	60°	50°	44°
4" - 24" (100-600 mm)	-	-	-	-	-	75°	62°	55°
4" - 30" (100-750 mm)	-	-	-	-	-	-	75°	73°
4" - 36" (100-900 mm)	-	-	-	-	-	-	-	74°
6" - 6" (150-150 mm)	90°	75°	65°	55°	44°	33°	30°	27°
6" - 8" (150-200 mm)	115°	85°	75°	63°	51°	39°	34°	30°
6" - 10" (150-250 mm)	-	105°	85°	70°	55°	43°	38°	33°
6" - 12" (150-300 mm)	-	-	95°	75°	63°	48°	45°	36°
6" - 15" (150-375 mm)	-	-	-	86°	72°	56°	48°	41°
6" - 18" (150-450 mm)	-	-	-	-	84°	63°	55°	47°
6" - 24" (150-600 mm)	-	-	-	-	-	77°	66°	52°
6" - 30" (150-750 mm)	-	-	-	-	-	-	75°	76°
6" - 36" (150-900 mm)	-	-	-	-	-	-	-	76°
8" - 8" (200-200 mm)	165°	90°	80°	70°	55°	44°	35°	33°
8" - 10" (200-250 mm)	-	115°	88°	76°	63°	48°	45°	36°
8" - 12" (200-300 mm)	-	-	102°	83°	70°	52°	48°	40°
8" - 15" (200-375 mm)	-	-	-	95°	78°	60°	55°	44°
8" - 18" (200-450 mm)	-	-	-	-	90°	70°	60°	50°
8" - 24" (200-600 mm)	-	-	-	-	-	82°	70°	62°
8" - 30" (200-750 mm)	-	-	-	-	-	-	80°	69°
8" - 36" (200-900 mm)	-	-	-	-	-	-	-	75°

# Minimum Angle Between Adapters for Drain Basins

Adapter Size	Basin Size in. (mm)							
	8 (200)	10 (250)	12 (300)	15 (375)	18 (450)	24 (600)	30 (750)	36 (900)
10" - 10" (250-250 mm)	-	160°	90°	82°	70°	53°	48°	40°
10" - 12" (250-300 mm)	-	-	115°	85°	75°	58°	50°	43°
10" - 15" (250-375 mm)	-	-	-	103°	85°	65°	58°	47°
10" - 18" (250-450 mm)	-	-	-	-	97°	72°	65°	53°
10" - 24" (250-600 mm)	-	-	-	-	-	88°	75°	65°
10" - 30" (250-750 mm)	-	-	-	-	-	-	85°	72°
10" - 36" (250-900 mm)	-	-	-	-	-	-	-	84°
12" - 12" (300-300 mm)	-	-	150°	90°	82°	64°	56°	46°
12" - 15" (300-375 mm)	-	-	-	112°	87°	69°	60°	51°
12" - 18" (300-450 mm)	-	-	-	-	102°	78°	68°	57°
12" - 24" (300-600 mm)	-	-	-	-	-	92°	80°	68°
12" - 30" (300-750 mm)	-	-	-	-	-	-	90°	76°
12" - 36" (300-900 mm)	-	-	-	-	-	-	-	86°
15" - 15" (375-375 mm)	-	-	-	150°	90°	77°	69°	55°
15" - 18" (375-450 mm)	-	-	-	-	110°	84°	75°	61°
15" - 24" (375-600 mm)	-	-	-	-	-	98°	85°	72°
15" - 30" (375-750 mm)	-	-	-	-	-	-	96°	85°
15" - 36" (375-900 mm)	-	-	-	-	-	-	-	94°
18" - 18" (450-450 mm)	-	-	-	-	150°	90°	78°	67°
18" - 24" (450-600 mm)	-	-	-	-	-	108°	88°	75°
18" - 30" (450-750 mm)	-	-	-	-	-	-	100°	87°
18" - 36" (450-900 mm)	-	-	-	-	-	-	-	100°
24" - 24" (600-600 mm)	-	-	-	-	-	150°	90°	85°
24" - 30" (600-750 mm)	-	-	-	-	-	-	115°	99°
24" - 36" (600-900 mm)	-	-	-	-	-	-	-	112°
30" - 30" (750-750 mm)	-	-	-	-	-	-	150°	116°
30" - 36" (750-900 mm)	-	-	-	-	-	-	-	134°
36" - 36" (900-900 mm)	-	-	-	-	-	-	-	165°

## STRATEGIC SHIPPING LOCATIONS

The strategic location of our manufacturing facilities for fast arrival just about anywhere in North America. In fact, once you've worked with our products and experienced our service, we're confident you'll be impressed.



For more information visit:  
[adspipe.com/nyloplast](https://adspipe.com/nyloplast)

[adspipe.com](https://adspipe.com)  
800-821-6710

ADS "Terms and Conditions of Sale" are available on the ADS website, [www.ads-pipe.com](https://www.ads-pipe.com)  
The ADS logo, N-12®, SaniTite® HP, EnviroHood™ and the Green Stripe are registered trademarks of Advanced Drainage Systems, Inc. Nyloplast® is a registered trademark of Nyloplast. Inserta Tee® is a registered trademark of Inserta Fittings Co. Catch-It™ is a registered trademark of Inlet & Pipe Protection, Inc.  
© 2023 Advanced Drainage Systems, Inc. NP120N 2/23 CS

