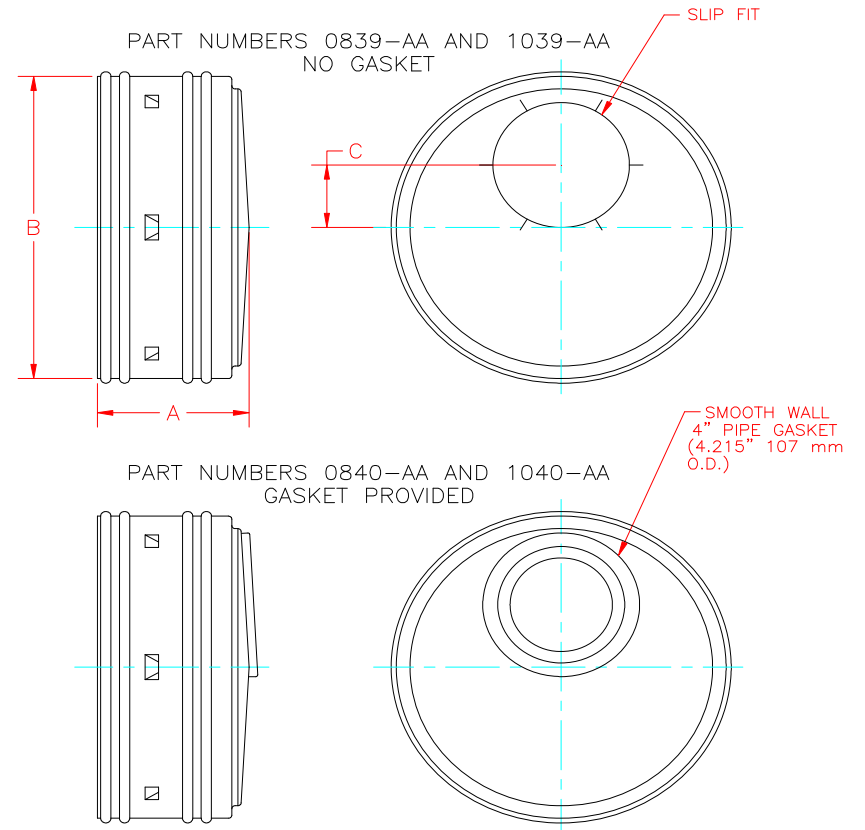


SB2 ADAPTERS

PART #	PIPE SIZE	A	B	OD
0839AA	8 in	4.3 in	9.8 in	1.1 in
0840AA	(200 mm)	(108 mm)	(248 mm)	(29 mm)
1039AA	10 in	5.5 in	12.3 in	2.5 in
1040AA	(250 mm)	(140 mm)	(311 mm)	(64 mm)



NOTE: ALL FITTINGS DIMENSIONS ARE FOR REFERENCE ONLY

© 2023 Advanced Drainage Systems, Inc.

 Advanced Drainage Systems, Inc.	DRAWING #:	6300	
	DRAWN BY:	TJR	12.18.07
	APPROVED BY:	TJR	12.18.07
	REVISIONS:		