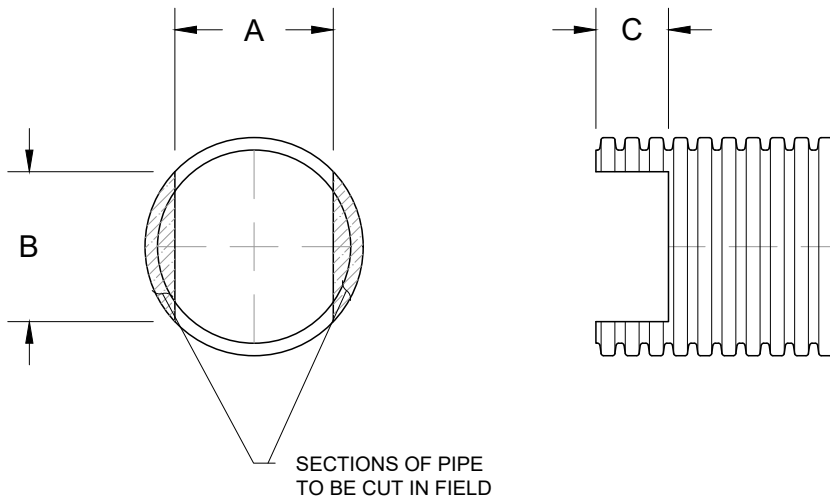
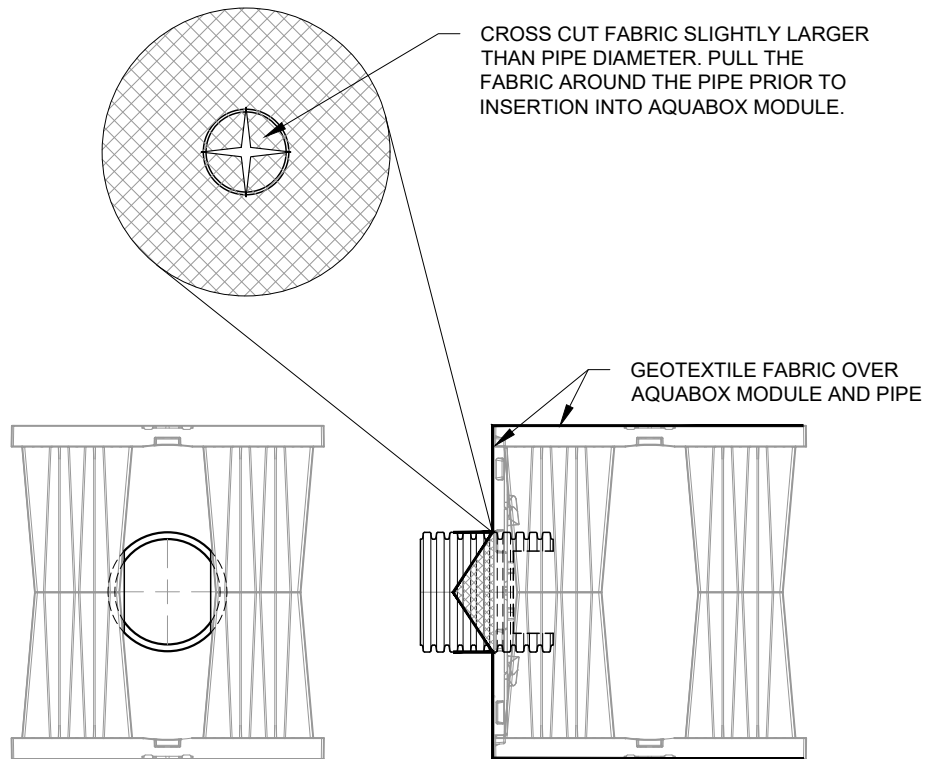


# AQUABOX PIPE INSERTION DETAIL

NTS



PIPE SIZE	A	B	C
10" (250 mm)	8.25" (203 mm)	7.75" (197 mm)	5.00" (127 mm) - 4 CORRUGATIONS
12" (300 mm)	7.75" (197 mm)	12.00" (300 mm)	5.86" (148 mm) - 3 CORRUGATIONS
15" (375 mm)	7.50" (190 mm)	16.00" (406 mm)	7.88" (200 mm) - 3 CORRUGATIONS
18" (450 mm)	7.25" (184 mm)	20.00" (508 mm)	5.88" (149 mm) - 2 CORRUGATIONS

\*DIMENSIONS AND CORRUGATIONS ARE APPROXIMATE  
 \*\*CORRUGATIONS SHOULD BE CUT TO VALLEYS

PIPE INSERTION DETAIL  
 AQUABOX

DATE: 08/20/24  
 DRAWING #: 774-010  
 DRAWN: SMW  
 CHECKED: JLM

**Aquabox**  
 Modular Stormwater Management System

4640 TRUEMAN BLVD  
 HILLIARD, OH 43026



THIS DRAWING HAS BEEN PREPARED BASED ON INFORMATION PROVIDED TO ADS UNDER THE DIRECTION OF THE SITE DESIGN ENGINEER OR OTHER PROJECT REPRESENTATIVE. THE SITE DESIGN ENGINEER SHALL REVIEW THIS DRAWING PRIOR TO CONSTRUCTION. IT IS THE ULTIMATE RESPONSIBILITY OF THE SITE DESIGN ENGINEER TO ENSURE THAT THE PRODUCT(S) DEPICTED AND ALL ASSOCIATED DETAILS MEET ALL APPLICABLE LAWS, REGULATIONS, AND PROJECT REQUIREMENTS.