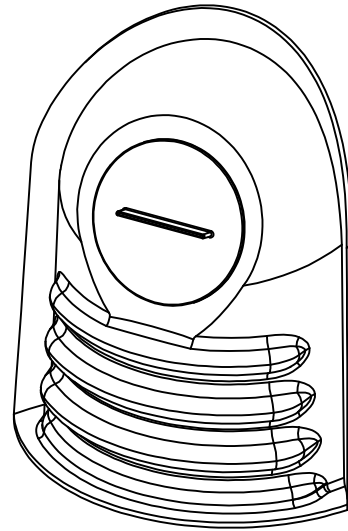
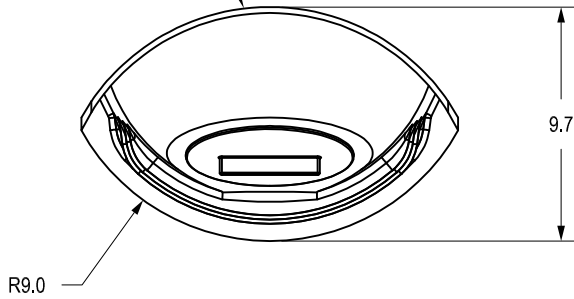
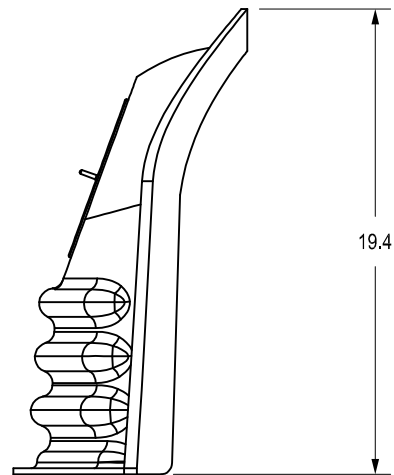
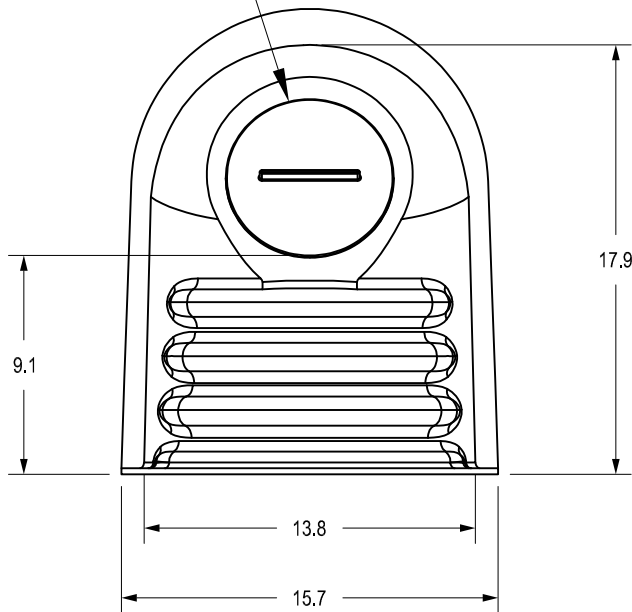


DESIGNED TO FIT 18" DIA.
NYLOPLAST PVC DRAIN BASIN




REMOVABLE 6"
ACCESS PORT



THIS PRINT DISCLOSES SUBJECT MATTER IN WHICH NYLOPLAST HAS PROPRIETARY RIGHTS. THE RECEIPT OR POSSESSION OF THIS PRINT DOES NOT CONFER, TRANSFER, OR LICENSE THE USE OF THE DESIGN OR TECHNICAL INFORMATION SHOWN HEREIN. REPRODUCTION OF THIS PRINT OR ANY INFORMATION CONTAINED HEREIN, OR MANUFACTURE OF ANY ARTICLE HEREFROM, FOR THE DISCLOSURE TO OTHERS IS FORBIDDEN, EXCEPT BY SPECIFIC WRITTEN PERMISSION FROM NYLOPLAST.

©2012 NYLOPLAST

DRAWN BY	JJC	MATERIAL	HIGH DENSITY POLYETHYLENE
DATE	7-2-12	PROJECT NO./NAME	
APPD BY	JJC		
DATE	7-2-12		
DWG SIZE	A	SCALE	NTS
		SHEET	1 OF 1

	3130 VERONA AVE BUFORD, GA 30518 PHN (770) 932-2443 FAX (770) 932-2490 www.nyloplast-us.com		
	TITLE NYLOPLAST 18" ENVIROHOOD FOR UP TO 12" OUTLETS		
DWG NO.	7004-110-105	REV	A