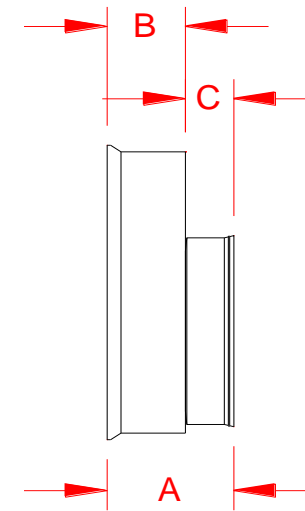


SANITITE® HP DUAL WALL FABRICATED REDUCERS
15" x 12" - 24" x 18" DIAMETER (BELL\BELL)

| PART # | PIPE SIZE | A | B | C | JOINT |
|------------|------------------------------|---------------------|---------------------|--------------------|-------|
| 1574AN30BP | 15 x 12 in (375x 300 mm) | 14.3 in (362 mm) | 7.8 in (197 mm) | 6.5 in (165 mm) | WT |
| 1874AN30BP | 18 x 12 in (450 x 300 mm) | 15.4 in (391 mm) | 8.9 in (226 mm) | 6.5 in (165 mm) | WT |
| 1875AN30BP | 18 x 15 in (450 x 375mm) | 16.6 in (422 mm) | 8.9 in (2131 mm) | 7.8 in (197 mm) | WT |
| 2474AN30BP | 24 x 12 in (600 x 300 mm) | 13.5 in (343 mm) | 7.0 in (178 mm) | 6.5 in (165 mm) | WT |
| 2475AN30BP | 24 x 15 in (600 x 375 mm) | 14.8 in (375 mm) | 7.0 in (178 mm) | 7.8 in (197 mm) | WT |
| 2476AN30BP | 24 x 18 in (600 x 450 mm) | 15.9 in (403 mm) | 7.0 in (178 mm) | 8.9 in (226 mm) | WT |



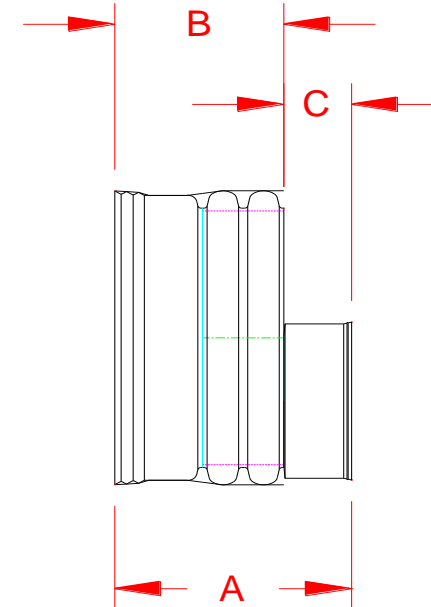
WT (INCLUDES 2 GASKETS)

NOTE: ALL FITTINGS DIMENSIONS ARE FOR REFERENCE ONLY

| | | |
|--|--------------|----------------|
|  Advanced Drainage Systems, Inc. | DRAWING #: | HP 19000 |
| | DRAWN BY: | TJR 10/27/2009 |
| | APPROVED BY: | |
| | REVISIONS: | TJR 10/18/2016 |
| | | |

SANITITE® HP TRIPLE WALL FABRICATED REDUCERS
30" x 12" - 42" x 24" DIAMETER (IB BELL/BELL)

| PART # | PIPE SIZE | A | B | C | JOINT |
|-------------|-------------------------------|---------------------|---------------------|--------------------|-------|
| 3074AN30BPT | 30 x 12 in (750x 300 mm) | 25.1 in (638 mm) | 18.6 in (472 mm) | 6.5 in (165 mm) | WT |
| 3075AN30BPT | 30 x 15 in (750 x 375 mm) | 26.4 in (669 mm) | 18.6 in (472 mm) | 7.8 in (197 mm) | WT |
| 3076AN30BPT | 30 x 18 in (750 x 450mm) | 27.5 in (698 mm) | 18.6 in (472 mm) | 8.9 in (226 mm) | WT |
| 3077AN30BPT | 30 x 24 in (750 x 600 mm) | 25.6 in (650 mm) | 18.6 in (472 mm) | 7.0 in (178 mm) | WT |
| 3674AN30BPT | 36 x 12 in (900x 300 mm) | 28.6 in (727 mm) | 22.1 in (562 mm) | 6.5 in (165 mm) | WT |
| 3675AN30BPT | 36 x 15 in (900 x 375 mm) | 29.9 in (759 mm) | 22.1 in (562 mm) | 7.8 in (197 mm) | WT |
| 3676AN30BPT | 36 x 18 in (900 x 450mm) | 31.0 in (788 mm) | 22.1 in (562 mm) | 8.9 in (226 mm) | WT |
| 3677AN30BPT | 36 x 24 in (900 x 600 mm) | 29.1 in (740 mm) | 22.1 in (562 mm) | 7.0 in (178 mm) | WT |
| 4274AN30BPT | 42 x 12 in (1050 x 300 mm) | 28.0 in (710 mm) | 21.5 in (545 mm) | 6.5 in (165 mm) | WT |
| 4275AN30BPT | 42 x 15 in (1050 x 375 mm) | 29.2 in (742 mm) | 21.5 in (545 mm) | 7.8 in (197 mm) | WT |
| 4276AN30BPT | 42 x 18 in (1050 x 450 mm) | 30.3 in (771 mm) | 21.5 in (545 mm) | 8.9 in (226 mm) | WT |
| 4277AN30BPT | 42 x 24 in (1050 x 600 mm) | 28.5 in (723 mm) | 21.5 in (545 mm) | 7.0 in (178 mm) | WT |



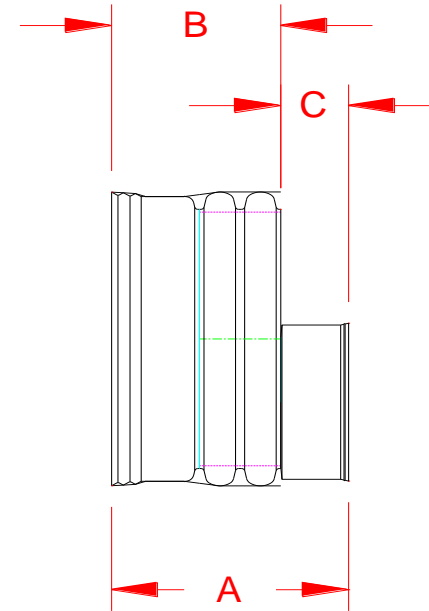
WT (INCLUDES 1 GASKET)

NOTE: ALL FITTINGS DIMENSIONS ARE FOR REFERENCE ONLY

| | | |
|--|--------------|----------------|
| | DRAWING #: | HP 19100 |
| | DRAWN BY: | TJR 10/29/2009 |
| | APPROVED BY: | |
| | REVISIONS: | TJR 10/18/2016 |
| | | |

SANITITE® HP TRIPLE WALL FABRICATED REDUCERS
48" x 12" - 60" x 24" DIAMETER (IB BELLBELL)

| PART # | PIPE SIZE | A | B | C | JOINT |
|-------------|-------------------------------|---------------------|---------------------|--------------------|-------|
| 4874AN30BPT | 48 x 12 in (1200 x 300 mm) | 32.4 in (822 mm) | 25.9 in (657 mm) | 6.5 in (165 mm) | WT |
| 4875AN30BPT | 48 x 15 in (1200 x 375 mm) | 33.6 in (854 mm) | 25.9 in (657 mm) | 7.8 in (197 mm) | WT |
| 4876AN30BPT | 48 x 18 in (1200 x 450 mm) | 34.7 in (882 mm) | 25.9 in (657 mm) | 8.9 in (226 mm) | WT |
| 4877AN30BPT | 48 x 24 in (1200 x 600 mm) | 32.9 in (835 mm) | 25.9 in (657 mm) | 7.0 in (178 mm) | WT |
| 6074AN30BPT | 60 x 12 in (1500 x 300 mm) | 34.4 in (874 mm) | 27.9 in (709 mm) | 6.5 in (165 mm) | WT |
| 6075AN30BPT | 60 x 15 in (1500 x 375 mm) | 35.7 in (906 mm) | 27.9 in (709 mm) | 7.8 in (197 mm) | WT |
| 6076AN30BPT | 60 x 18 in (1500 x 450 mm) | 36.8 in (934 mm) | 27.9 in (709 mm) | 8.9 in (226 mm) | WT |
| 6077AN30BPT | 60 x 24 in (1500 x 600 mm) | 34.9 in (886 mm) | 27.9 in (709 mm) | 7.0 in (178 mm) | WT |



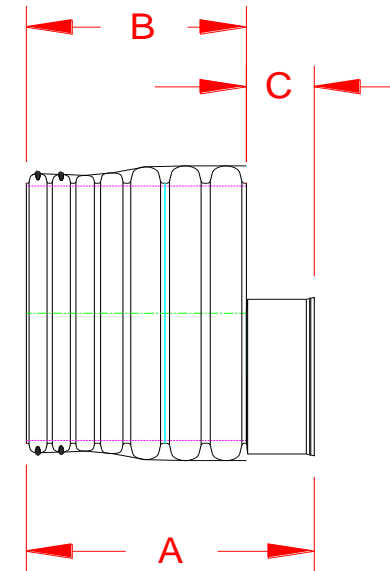
WT (INCLUDES 1 GASKET)

NOTE: ALL FITTINGS DIMENSIONS ARE FOR REFERENCE ONLY

| | | |
|---|--------------|----------------|
|  | DRAWING #: | HP 19200 |
| | DRAWN BY: | TJR 10/29/2009 |
| | APPROVED BY: | |
| | REVISIONS: | TJR 10/18/2016 |
| | | |

SANITITE® HP TRIPLE WALL FABRICATED REDUCERS
30" x 12" - 42" x 24" DIAMETER (IB SPIGOT\BELL)

| PART # | PIPE SIZE | A | B | C | JOINT |
|-------------|-------------------------------|---------------------|---------------------|--------------------|-------|
| 3074AN30GPT | 30 x 12 in (750x 300 mm) | 30.2 in (768 mm) | 23.7 in (602 mm) | 6.5 in (165 mm) | WT |
| 3075AN30GPT | 30 x 15 in (750 x 375 mm) | 31.5 in (799 mm) | 23.7 in (602 mm) | 7.8 in (197 mm) | WT |
| 3076AN30GPT | 30 x 18 in (750 x 450mm) | 32.6 in (828 mm) | 23.7 in (602 mm) | 8.9 in (226 mm) | WT |
| 3077AN30GPT | 30 x 24 in (750 x 600 mm) | 30.7 in (780 mm) | 23.7 in (602 mm) | 7.0 in (178 mm) | WT |
| 3674AN30GPT | 36 x 12 in (900x 300 mm) | 35.3 in (896 mm) | 28.8 in (731 mm) | 6.5 in (165 mm) | WT |
| 3675AN30GPT | 36 x 15 in (900 x 375 mm) | 36.5 in (928 mm) | 28.8 in (731 mm) | 7.8 in (197 mm) | WT |
| 3676AN30GPT | 36 x 18 in (900 x 450mm) | 37.7 in (956 mm) | 27.8 in (705 mm) | 8.9 in (226 mm) | WT |
| 3677AN30GPT | 36 x 24 in (900 x 600 mm) | 35.8 in (909 mm) | 28.8 in (731 mm) | 7.0 in (178 mm) | WT |
| 4274AN30GPT | 42 x 12 in (1050 x 300 mm) | 28.3 in (718 mm) | 21.8 in (552 mm) | 6.5 in (165 mm) | WT |
| 4275AN30GPT | 42 x 15 in (1050 x 375 mm) | 29.5 in (749 mm) | 21.8 in (552 mm) | 7.8 in (197 mm) | WT |
| 4276AN30GPT | 42 x 18 in (1050 x 450 mm) | 30.6 in (778 mm) | 21.8 in (552 mm) | 8.9 in (226 mm) | WT |
| 4277AN30GPT | 42 x 24 in (1050 x 600 mm) | 28.8 in (730 mm) | 21.8 in (552 mm) | 7.0 in (178 mm) | WT |



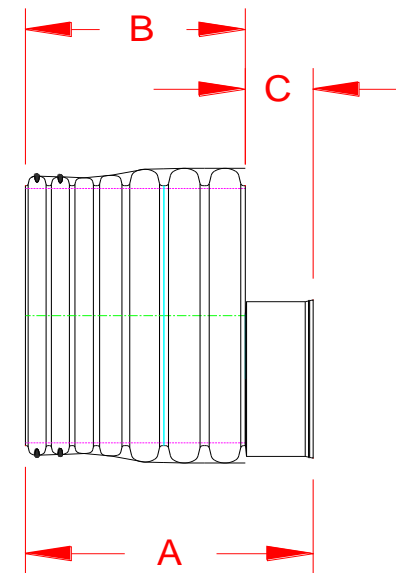
WT (INCLUDES 3 GASKETS)

NOTE: ALL FITTINGS DIMENSIONS ARE FOR REFERENCE ONLY

| | | |
|--|--------------|----------------|
|  Advanced Drainage Systems, Inc. | DRAWING #: | HP 19300 |
| | DRAWN BY: | TJR 10/29/2009 |
| | APPROVED BY: | |
| | REVISIONS: | TJR 10/18/2016 |

SANITITE® HP TRIPLE WALL FABRICATED REDUCERS
48" x 12" - 60" x 24" DIAMETER (IB SPIGOT\BELL)

| PART # | PIPE SIZE | A | B | C | JOINT |
|-------------|-------------------------------|----------------------|---------------------|--------------------|-------|
| 4874AN30GPT | 48 x 12 in (1200 x 300 mm) | 32.0 in (812 mm) | 25.5 in (646 mm) | 6.5 in (165 mm) | WT |
| 4875AN30GPT | 48 x 15 in (1200 x 375 mm) | 33.2 in (843 mm) | 25.5 in (646 mm) | 7.8 in (197 mm) | WT |
| 4876AN30GPT | 48 x 18 in (1200 x 450 mm) | 34.3 in (872 mm) | 25.5 in (646 mm) | 8.9 in (226 mm) | WT |
| 4877AN30GPT | 48 x 24 in (1200 x 600 mm) | 32.5 in (824 mm) | 25.5 in (646 mm) | 7.0 in (178 mm) | WT |
| 6074AN30GPT | 60 x 12 in (1500 x 300 mm) | 42.0 in (1066 mm) | 35.5 in (901 mm) | 6.5 in (165 mm) | WT |
| 6075AN30GPT | 60 x 15 in (1500 x 375 mm) | 43.2 in (1098 mm) | 35.5 in (901 mm) | 7.8 in (197 mm) | WT |
| 6076AN30GPT | 60 x 18 in (1500 x 450 mm) | 44.3 in (1126 mm) | 35.5 in (901 mm) | 8.9 in (226 mm) | WT |
| 6077AN30GPT | 60 x 24 in (1500 x 600 mm) | 42.5 in (1079 mm) | 35.5 in (901 mm) | 7.0 in (178 mm) | WT |



WT (INCLUDES 3 GASKETS)

NOTE: ALL FITTINGS DIMENSIONS ARE FOR REFERENCE ONLY

| | | |
|---|--------------|----------------|
|  Advanced Drainage Systems, Inc.™ | DRAWING #: | HP 19400 |
| | DRAWN BY: | TJR 10/29/2009 |
| | APPROVED BY: | |
| | REVISIONS: | TJR 10/18/2016 |
| | | |