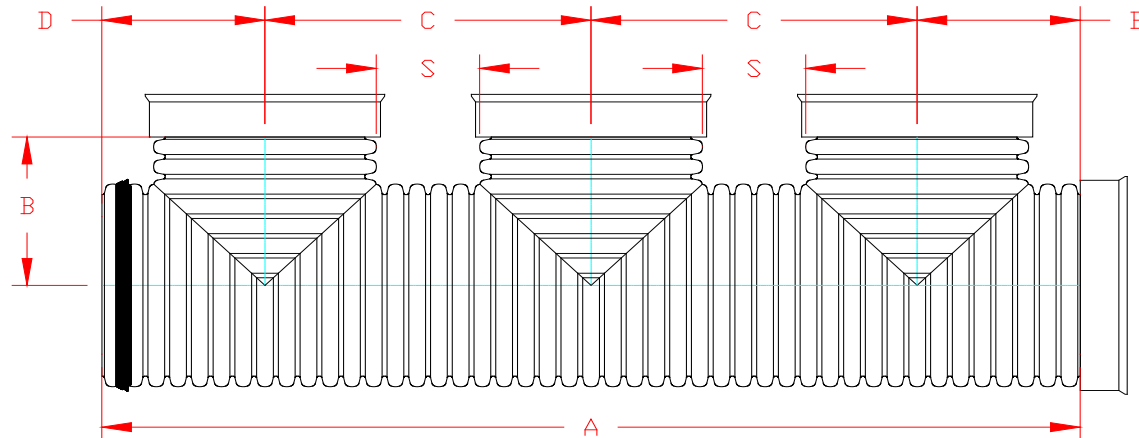


**HP STORM DUAL WALL FABRICATED "WATER TIGHT" "BELL END"
TRIPLE MANIFOLD 12" - 18" & 24" DIAMETER**

PART #	PIPE SIZE	A	B	C	D	S
1253AN65BP	12 in (300 mm)	70.9 in (1800 mm)	9.8 in (250 mm)	23.6 in (600 mm)	13.8 in (350 mm)	9.1 in (230 mm)
1553AN65BP	15 in (375 mm)	85.3 in (2167 mm)	12.0 in (304 mm)	28.4 in (721 mm)	16.6 in (421 mm)	10.7 in (271 mm)
1853AN65BP	18 in (450 mm)	106.3 in (2701 mm)	14.8 in (375 mm)	35.4 in (900 mm)	20.7 in (525 mm)	14.1 in (357 mm)
2453AN65BP	24 in (600 mm)	123.3 in (3131 mm)	17.4 in (441 mm)	41.1 in (1044 mm)	23.7 in (602 mm)	12.6 in (321 mm)



BELL END GASKET NOT INCLUDED WITH FITTING PLEASE ORDER SEPARATELY.

NOTE: ALL FITTINGS DIMENSIONS ARE FOR REFERENCE ONLY



DRAWING #:	13375	
DRAWN BY:	TJR	10/13/2016
APPROVED BY:		
REVISIONS:		