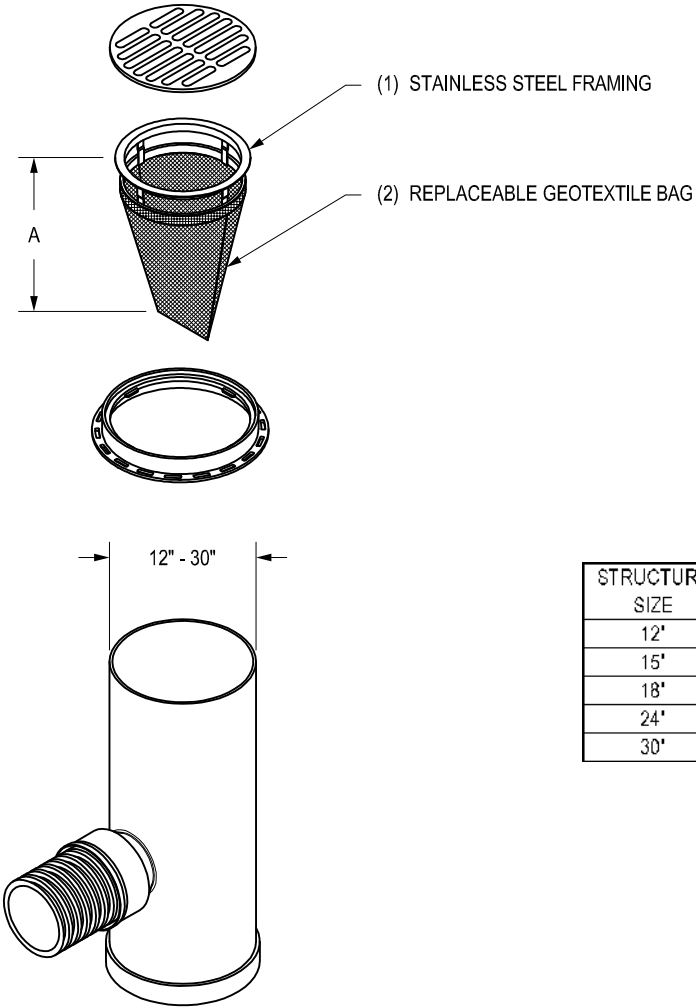
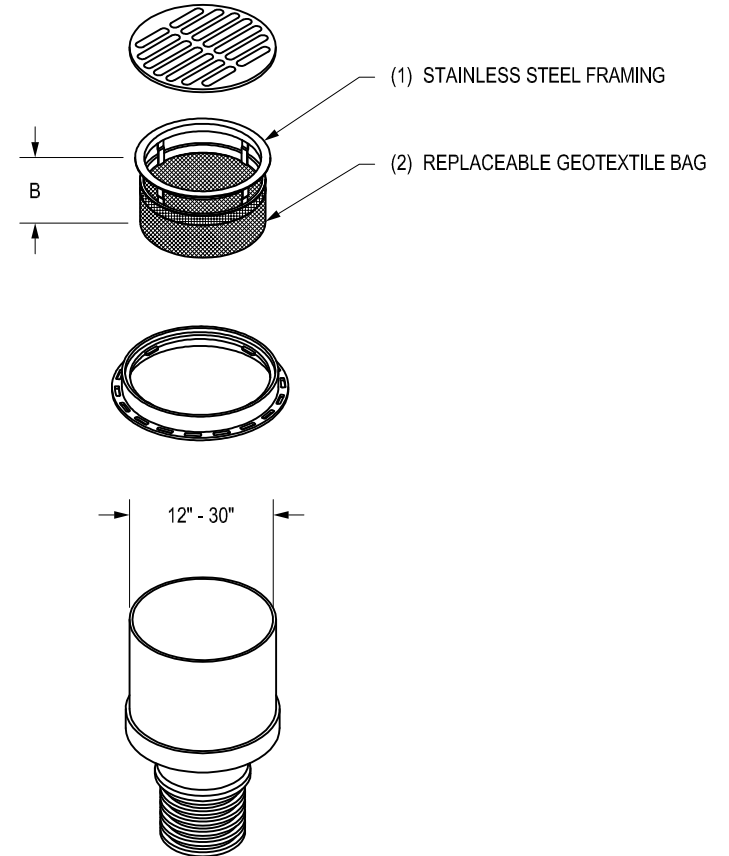


# NYLOPLAST FLEXSTORM CATCH-IT

LONG CATCH-IT



SHORT CATCH-IT




STRUCTURE SIZE	A	B
12'	25.00	8.00
15'	25.00	9.00
18'	25.00	10.00
24'	25.00	11.90
30'	25.00	11.90

- 1 - CATCH-IT FRAME MATERIAL SHALL BE 304 STAINLESS STEEL.
- 2 - CATCH-IT GEOTEXTILE MATERIAL SHALL BE PROPEX GEOTEX 117F.
- 3 - CATCH-IT AVAILABLE FOR ALL 12" - 30" STRUCTURE OPTIONS ( DRAIN BASIN, INLINE DRAIN, ROAD & HIGHWAY, & CURB INLET). INLINE DRAIN SHOULD ONLY BE USED WITH SHORT CATCH-IT.

THIS PRINT DISCLOSES SUBJECT MATTER IN WHICH NYLOPLAST HAS PROPRIETARY RIGHTS. THE RECEIPT OR POSSESSION OF THIS PRINT DOES NOT CONFER, TRANSFER, OR LICENSE THE USE OF THE DESIGN OR TECHNICAL INFORMATION SHOWN HEREIN REPRODUCTION OF THIS PRINT OR ANY INFORMATION CONTAINED HEREIN, OR MANUFACTURE OF ANY ARTICLE HEREFROM, FOR THE DISCLOSURE TO OTHERS IS FORBIDDEN, EXCEPT BY SPECIFIC WRITTEN PERMISSION FROM NYLOPLAST.

©2013 NYLOPLAST

DRAWN BY	EBC	MATERIAL
DATE	03-22-10	
REVD BY	CCA	PROJECT NO./NAME
DATE	09-09-13	
DWG SIZE	A	SCALE 1:30 SHEET 1 OF 1

	3130 VERONA AVE BUFORD, GA 30518 PHN (770) 932-2443 FAX (770) 932-2490 <a href="http://www.nyloplast-us.com">www.nyloplast-us.com</a>	
	TITLE NYLOPLAST FLEXSTORM CATCH-IT	
DWG NO.	7005-110-017	REV D