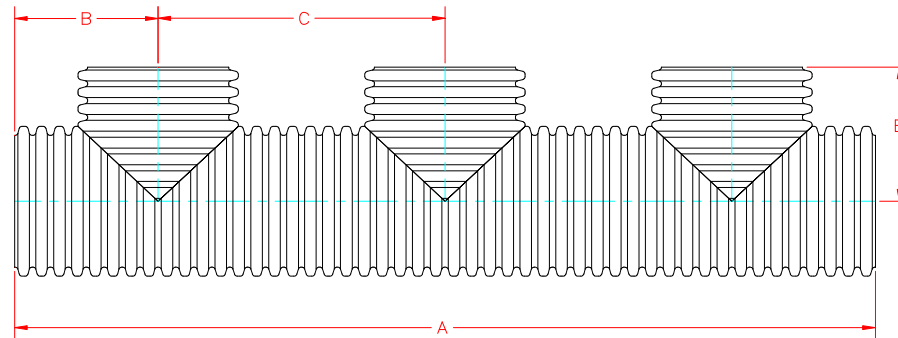


**STORMTECH DUAL WALL FABRICATED "SOIL TIGHT" "PLAIN END" TRIPLE MANIFOLD
6" - 24" DIAMETER**



PART #	PIPE SIZE	CHAMBER SIZE	A	B	C
0653AN7406	6 in (150 mm)	SC -740	170.9 in (4342 mm)	28.6 in (727 mm)	57.0 in (1447 mm)
0853AN7408	8 in (200 mm)	SC -740	169.9 in (4316 mm)	28.3 in (719 mm)	56.6 in (1439 mm)
1053AN7410	10 in (250 mm)	SC -740	170.1 in (4321 mm)	28.4 in (720 mm)	56.7 in (1440 mm)
1253AN7412	12 in (300 mm)	SC -740	172.8 in (4389 mm)	28.8 in (732 mm)	57.6 in (1463 mm)
1553AN7415	15 in (375 mm)	SC -740	170.9 in (4342 mm)	28.5 in (724 mm)	57.0 in (1447 mm)
1853AN7418	18 in (450 mm)	SC -740	168.8 in (4289 mm)	28.1 in (715 mm)	56.3 in (1430 mm)
2453AN7424	24 in (600 mm)	SC -740	170.1 in (4321 mm)	28.4 in (720 mm)	56.7 in (1440 mm)

PART #	PIPE SIZE	CHAMBER SIZE	A	B	C
0653AN3106	6 in (150 mm)	SC-310	117.8 in (2992 mm)	19.6 in (499 mm)	39.3 in (997 mm)
0853AN3108	8 in (200 mm)	SC-310	118.1 in (2999 mm)	19.7 in (500 mm)	39.4 in (1000 mm)
1053AN3110	10 in (250 mm)	SC-310	117.2 in (2976 mm)	19.5 in (496 mm)	39.1 in (992 mm)
1253AN3112	12 in (300 mm)	SC-310	121.0 in (3072 mm)	20.1 in (511 mm)	40.3 in (1024 mm)

NOTE: ALL FITTINGS DIMENSIONS ARE FOR REFERENCE ONLY

© 2023 Advanced Drainage Systems, Inc.



DRAWING #:	5100	
DRAWN BY:	TJR	11.15.07
APPROVED BY:	TJR	11.15.07
REVISIONS:		