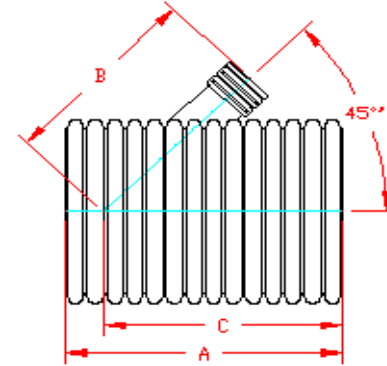
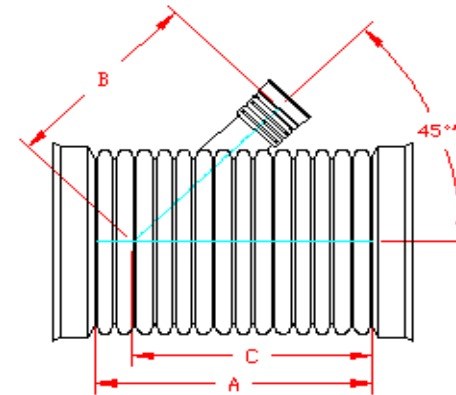


**DUAL WALL FABRICATED REDUCING WYES**  
**48"x4" - 48"x10" DIAMETER**

PART #	PIPE SIZE	A	B	C	JOINT
4880AN	48 x 4 in (1200 x 100 mm)	52.3 in (1328 mm)	46.3 in (1176 mm)	53.1 in (1347 mm)	*
4880AN65B	48 x 4 in (1200 x 100 mm)	41.9 in (1064 mm)	46.3 in (1176 mm)	47.8 in (1214 mm)	WT
4881AN	48 x 6 in (1200 x 150 mm)	52.3 in (1328 mm)	47.9 in (1217 mm)	53.1 in (1347 mm)	*
4881AN65B	48 x 6 in (1200 x 150 mm)	41.9 in (1064 mm)	47.9 in (1217 mm)	47.8 in (1214 mm)	WT
4882AN	48 x 8 in (1200 x 200 mm)	57.6 in (1463 mm)	50.0 in (1270 mm)	55.7 in (1414 mm)	*
4882AN65B	48 x 8 in (1200 x 200 mm)	47.1 in (1196 mm)	50.0 in (1270 mm)	50.4 in (1281 mm)	WT
4883AN	48 x 10 in (1200 x 250 mm)	62.8 in (1595 mm)	52.0 in (1321 mm)	58.3 in (1481 mm)	*
4883AN65B	48 x 10 in (1200 x 250 mm)	52.3 in (1328 mm)	52.0 in (1321 mm)	53.1 in (1347 mm)	WT



PLAIN END



WT (INCLUDES 3 GASKETS)

\* = PLAIN END  
 ST = SOIL TIGHT  
 WT = WATER TIGHT

NOTE: ALL FITTINGS DIMENSIONS ARE FOR REFERENCE ONLY

© 2023 Advanced Drainage Systems, Inc.

	DRAWING #:	2345
	DRAWN BY:	JCB 06.14.06
	APPROVED BY:	JCB 06.26.07
	REVISIONS:	TJR 05.30.08