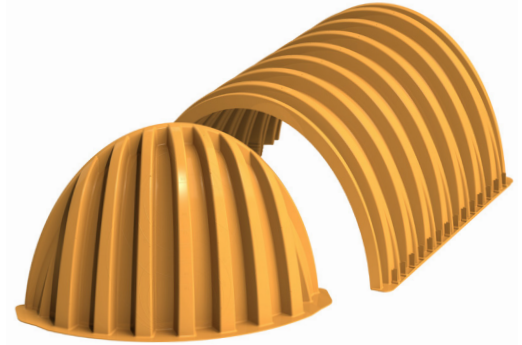


# StormTech<sup>®</sup> MC-3500 Chamber

Designed to meet the most stringent industry performance standards for superior structural integrity while providing designers with a cost-effective method to save valuable land and protect water resources. The StormTech system is designed primarily to be used under parking lots, thus maximizing land usage for private (commercial) and public applications. StormTech chambers can also be used in conjunction with Green Infrastructure, thus enhancing the performance and extending the service life of these practices.



## Nominal Chamber Specifications (not to scale)

**Size (L x W x H)**  
 90" x 77" x 45"  
 2286 mm x 1956 mm x 1143 mm

**Chamber Storage**  
 109.9 ft<sup>3</sup> (3.11 m<sup>3</sup>)

**Min. Installed Storage\***  
 175.0 ft<sup>3</sup> (4.96 m<sup>3</sup>)

**Weight**  
 134 lbs (60.8 kg)

**Shipping**  
 15 chambers/pallet  
 7 end caps/pallet  
 7 pallets/truck

\*Assumes a minimum of 12" (300 mm) of stone above, 9" (230 mm) of stone below chambers, 6" (150 mm) of stone between chambers/ end caps and 40% stone porosity.

## Nominal End Cap Specifications (not to scale)

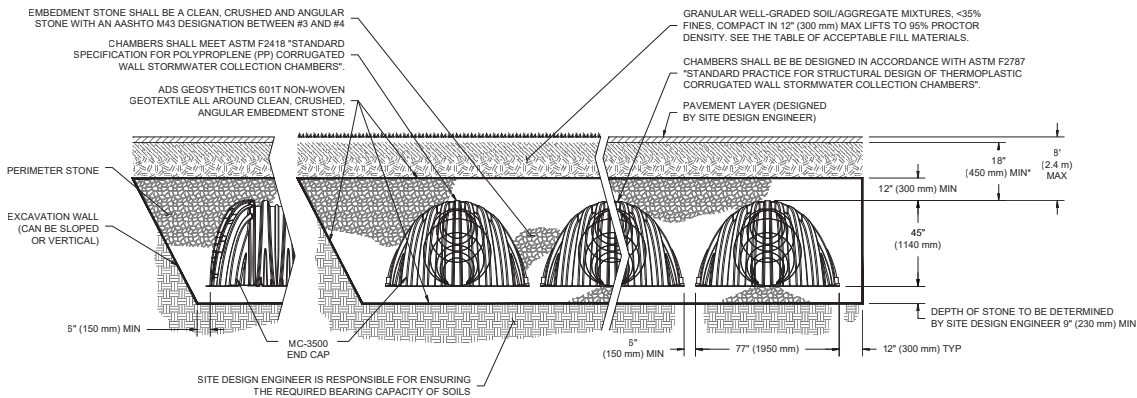
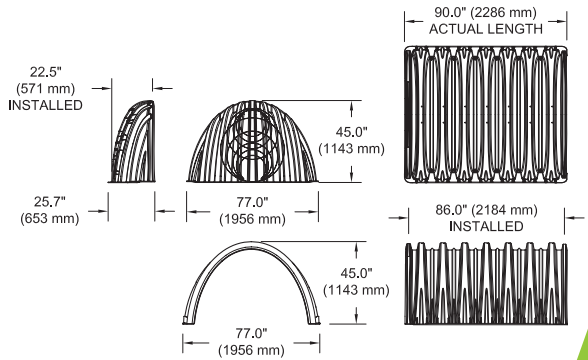
**Size (L x W x H)**  
 26.5" x 71" x 45.1"  
 673 mm x 1803 mm x 1145 mm

**End Cap Storage**  
 14.9 ft<sup>3</sup> (0.42 m<sup>3</sup>)

**Min. Installed Storage\***  
 45.1 ft<sup>3</sup> (1.28 m<sup>3</sup>)

**Weight**  
 49 lbs (22.2 kg)

\*Assumes a minimum of 12" (300 mm) of stone above, 9" (230 mm) of stone below, 6" (150 mm) of stone perimeter, 6" (150 mm) of stone between chambers/ end caps and 40% stone porosity.



\*MINIMUM COVER TO BOTTOM OF FLEXIBLE PAVEMENT. FOR UNPAVED INSTALLATIONS WHERE RUTTING FROM VEHICLES MAY OCCUR, INCREASE COVER TO 24" (600 mm).

# StormTech MC-3500 Specifications

## Storage Volume Per Chamber

|         | Bare Chamber Storage<br>ft <sup>3</sup> (m <sup>3</sup> ) | Chamber and Stone Foundation Depth in. (mm) |                |                |                |
|---------|---|---|----------------|----------------|----------------|
|         |   | 9 in (230 mm)                               | 12 in (300 mm) | 15 in (375 mm) | 18 in (450 mm) |
| Chamber | 109.9 (3.11)  | 175.0 (4.96)                                | 179.9 (5.09)   | 184.9 (5.24)   | 189.9 (5.38)   |
| End Cap | 14.9 (0.42)   | 45.1 (1.28)                                 | 46.6 (1.32)    | 48.3 (1.37)    | 49.9 (1.41)    |

**Note:** Assumes 6" (150 mm) row spacing, 40% stone porosity, 12" (300 mm) stone above and includes the bare chamber/end cap volume.

## Amount of Stone Per Chamber

| English<br>Tons (yds <sup>3</sup> ) | Stone Foundation Depth |            |            |            |
|-------------------------------------|------------------------|------------|------------|------------|
|                                     | 9 in                   | 12 in      | 15 in      | 18 in      |
| Chamber                             | 8.5 (6.0)              | 9.1 (6.5)  | 9.7 (6.9)  | 10.4 (7.4) |
| End Cap                             | 3.9 (2.8)              | 4.1 (2.9)  | 4.3 (3.1)  | 4.5 (3.2)  |
| Metric Kilograms (m <sup>3</sup> )  | 230 mm                 | 300 mm     | 375 mm     | 450 mm     |
| Chamber                             | 7711 (4.6)             | 8255 (5.0) | 8800 (5.3) | 9435 (5.7) |
| End Cap                             | 3538 (2.1)             | 3719 (2.2) | 3901 (2.4) | 4082 (2.5) |

**Note:** Assumes 12" (300 mm) of stone above and 6" (150 mm) row spacing and 6" (150 mm) of perimeter stone in front of end caps.

## Volume Excavation Per Chamber yd<sup>3</sup> (m<sup>3</sup>)

|         | Stone Foundation Depth |                |               |                |
|---------|------------------------|----------------|---------------|----------------|
|         | 9 in (230 mm)          | 12 in (300 mm) | 15 in (375mm) | 18 in (450 mm) |
| Chamber | 11.9 (9.1)             | 12.4 (9.5)     | 12.8 (9.8)    | 13.3 (10.2)    |
| End Cap | 4.0 (3.1)              | 4.1 (3.3)      | 4.3 (3.3)     | 4.4 (3.4)      |

**Note:** Assumes 6" (150 mm) of separation between chamber rows and 24" (600 mm) of cover. The volume of excavation will vary as depth of cover increases.

ADS StormTech products, manufactured in accordance with ASTM F2418 or ASTM F2922, comply with all requirements in the Build America, Buy America (BABA) Act.

**Working on a project?**

Visit us at [adspipe.com/stormtech](https://adspipe.com/stormtech) and utilize the Design Tool

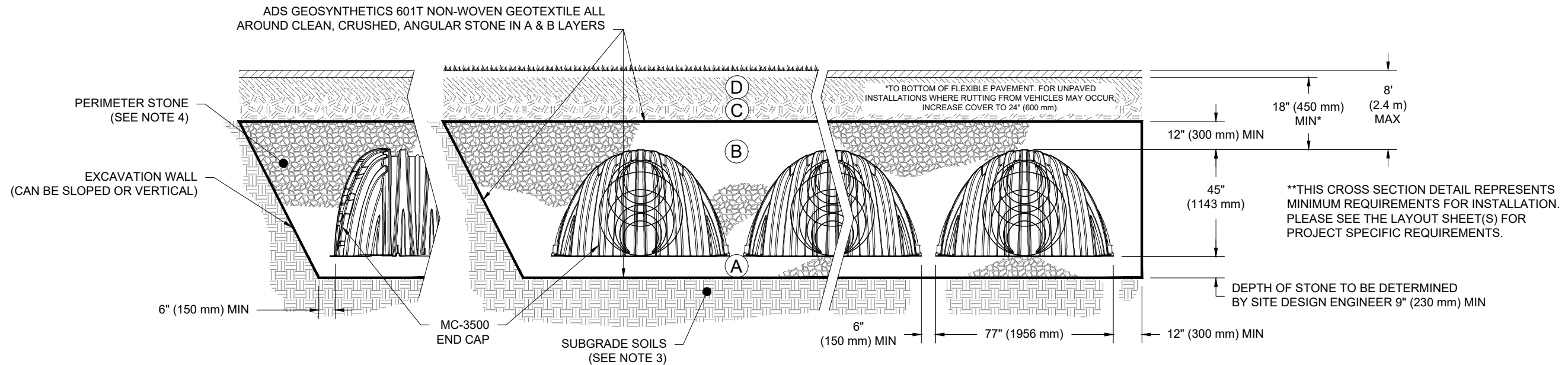


## ACCEPTABLE FILL MATERIALS: STORMTECH MC-3500 CHAMBER SYSTEMS

| MATERIAL LOCATION | DESCRIPTION  | AASHTO MATERIAL CLASSIFICATIONS   | COMPACTION / DENSITY REQUIREMENT  |
|-------------------|--|---|---|
| D                 | <b>FINAL FILL:</b> FILL MATERIAL FOR LAYER 'D' STARTS FROM THE TOP OF THE 'C' LAYER TO THE BOTTOM OF FLEXIBLE PAVEMENT OR UNPAVED FINISHED GRADE ABOVE. NOTE THAT PAVEMENT SUBBASE MAY BE PART OF THE 'D' LAYER  | N/A   | PREPARE PER SITE DESIGN ENGINEER'S PLANS. PAVED INSTALLATIONS MAY HAVE STRINGENT MATERIAL AND PREPARATION REQUIREMENTS.   |
| C                 | <b>INITIAL FILL:</b> FILL MATERIAL FOR LAYER 'C' STARTS FROM THE TOP OF THE EMBEDMENT STONE ('B' LAYER) TO 24" (600 mm) ABOVE THE TOP OF THE CHAMBER. NOTE THAT PAVEMENT SUBBASE MAY BE A PART OF THE 'C' LAYER. | AASHTO M145 <sup>1</sup><br>A-1, A-2-4, A-3<br><br>OR<br>AASHTO M43 <sup>1</sup><br>3, 357, 4, 467, 5, 56, 57, 6, 67, 68, 7, 78, 8, 89, 9, 10 | BEGIN COMPACTIONS AFTER 24" (600 mm) OF MATERIAL OVER THE CHAMBERS IS REACHED. COMPACT ADDITIONAL LAYERS IN 12" (300 mm) MAX LIFTS TO A MIN. 95% PROCTOR DENSITY FOR WELL GRADED MATERIAL AND 95% RELATIVE DENSITY FOR PROCESSED AGGREGATE MATERIALS. |
| B                 | <b>EMBEDMENT STONE:</b> FILL SURROUNDING THE CHAMBERS FROM THE FOUNDATION STONE ('A' LAYER) TO THE 'C' LAYER ABOVE.  | CLEAN, CRUSHED, ANGULAR STONE<br><br>AASHTO M43 <sup>1</sup><br>3, 4  | NO COMPACTION REQUIRED.   |
| A                 | <b>FOUNDATION STONE:</b> FILL BELOW CHAMBERS FROM THE SUBGRADE UP TO THE FOOT (BOTTOM) OF THE CHAMBER.   | CLEAN, CRUSHED, ANGULAR STONE<br><br>AASHTO M43 <sup>1</sup><br>3, 4  | PLATE COMPACT OR ROLL TO ACHIEVE A FLAT SURFACE. <sup>2,3</sup>   |

**PLEASE NOTE:**

- THE LISTED AASHTO DESIGNATIONS ARE FOR GRADATIONS ONLY. THE STONE MUST ALSO BE CLEAN, CRUSHED, ANGULAR. FOR EXAMPLE, A SPECIFICATION FOR #4 STONE WOULD STATE: "CLEAN, CRUSHED, ANGULAR NO. 4 (AASHTO M43) STONE".
- STORMTECH COMPACTION REQUIREMENTS ARE MET FOR 'A' LOCATION MATERIALS WHEN PLACED AND COMPACTED IN 9" (230 mm) (MAX) LIFTS USING TWO FULL COVERAGES WITH A VIBRATORY COMPACTOR.
- WHERE INFILTRATION SURFACES MAY BE COMPROMISED BY COMPACTION, FOR STANDARD DESIGN LOAD CONDITIONS, A FLAT SURFACE MAY BE ACHIEVED BY RAKING OR DRAGGING WITHOUT COMPACTION EQUIPMENT. FOR SPECIAL LOAD DESIGNS, CONTACT STORMTECH FOR COMPACTION REQUIREMENTS.
- ONCE LAYER 'C' IS PLACED, ANY SOIL/MATERIAL CAN BE PLACED IN LAYER 'D' UP TO THE FINISHED GRADE. MOST PAVEMENT SUBBASE SOILS CAN BE USED TO REPLACE THE MATERIAL REQUIREMENTS OF LAYER 'C' OR 'D' AT THE SITE DESIGN ENGINEER'S DISCRETION.



\*FOR COVER DEPTHS GREATER THAN 8.0' (2.4 m) PLEASE CONTACT ADS

**NOTES:**

- CHAMBERS SHALL MEET THE REQUIREMENTS OF ASTM F2418, "STANDARD SPECIFICATION FOR POLYPROPYLENE (PP) CORRUGATED WALL STORMWATER COLLECTION CHAMBERS" CHAMBER CLASSIFICATION 45x76 DESIGNATION SS.
- MC-3500 CHAMBERS SHALL BE DESIGNED IN ACCORDANCE WITH ASTM F2787 "STANDARD PRACTICE FOR STRUCTURAL DESIGN OF THERMOPLASTIC CORRUGATED WALL STORMWATER COLLECTION CHAMBERS".
- THE SITE DESIGN ENGINEER IS RESPONSIBLE FOR ASSESSING THE BEARING RESISTANCE (ALLOWABLE BEARING CAPACITY) OF THE SUBGRADE SOILS AND THE DEPTH OF FOUNDATION STONE WITH CONSIDERATION FOR THE RANGE OF EXPECTED SOIL MOISTURE CONDITIONS.
- PERIMETER STONE MUST BE EXTENDED HORIZONTALLY TO THE EXCAVATION WALL FOR BOTH VERTICAL AND SLOPED EXCAVATION WALLS.
- REQUIREMENTS FOR HANDLING AND INSTALLATION:
  - TO MAINTAIN THE WIDTH OF CHAMBERS DURING SHIPPING AND HANDLING, CHAMBERS SHALL HAVE INTEGRAL, INTERLOCKING STACKING LUGS.
  - TO ENSURE A SECURE JOINT DURING INSTALLATION AND BACKFILL, THE HEIGHT OF THE CHAMBER JOINT SHALL NOT BE LESS THAN 3".
  - TO ENSURE THE INTEGRITY OF THE ARCH SHAPE DURING INSTALLATION, a) THE ARCH STIFFNESS CONSTANT AS DEFINED IN SECTION 6.2.8 OF ASTM F2418 SHALL BE GREATER THAN OR EQUAL TO 500 LBS/FT/%. AND b) TO RESIST CHAMBER DEFORMATION DURING INSTALLATION AT ELEVATED TEMPERATURES (ABOVE 73° F / 23° C), CHAMBERS SHALL BE PRODUCED FROM REFLECTIVE GOLD OR YELLOW COLORS.

MC-3500

STANDARD CROSS SECTION

DRAWN: KLU

DATE: 8/03/22

CHECKED: KLU

PROJECT #:

DESCRIPTION

DATE

888-892-2694 | WWW.STORMTECH.COM

**StormTech**  
Chamber System

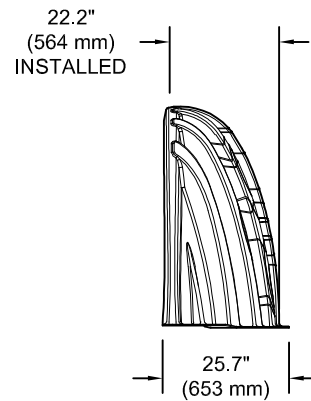
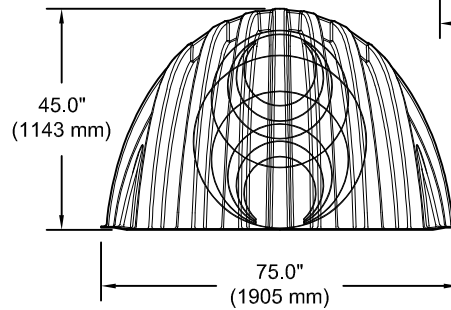
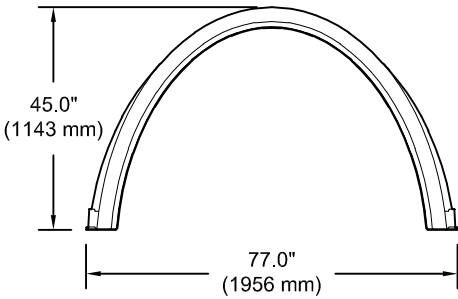
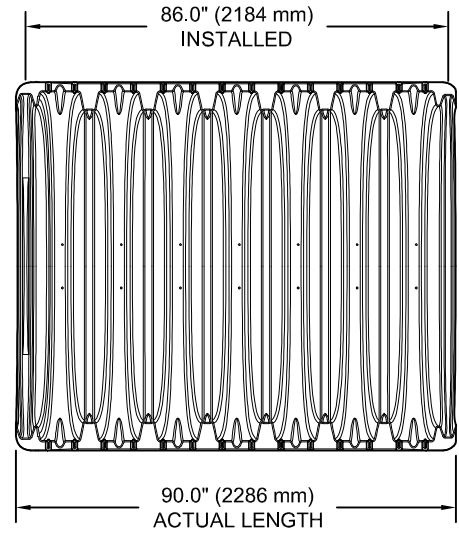
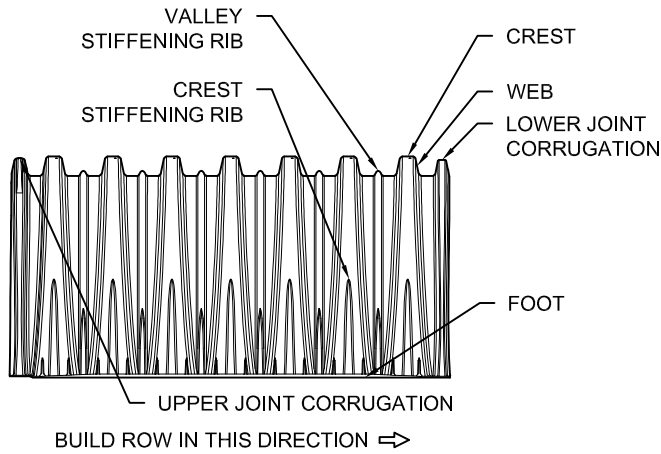
4640 TRUEMAN BLVD  
HILLIARD, OH 43026



THIS DRAWING HAS BEEN PREPARED BASED ON INFORMATION PROVIDED TO ADS UNDER THE DIRECTION OF THE SITE DESIGN ENGINEER OR OTHER PROJECT REPRESENTATIVE. THE SITE DESIGN ENGINEER SHALL REVIEW THIS DRAWING PRIOR TO CONSTRUCTION. IT IS THE ULTIMATE RESPONSIBILITY OF THE SITE DESIGN ENGINEER TO ENSURE THAT THE PRODUCT(S) DEPICTED AND ALL ASSOCIATED DETAILS MEET ALL APPLICABLE LAWS, REGULATIONS, AND PROJECT REQUIREMENTS.

# MC-3500 TECHNICAL SPECIFICATION

NTS



**NOMINAL CHAMBER SPECIFICATIONS**

|                                   |                       |                               |
|-----------------------------------|-----------------------|-------------------------------|
| SIZE (W X H X INSTALLED LENGTH)   | 77.0" X 45.0" X 86.0" | (1956 mm X 1143 mm X 2184 mm) |
| CHAMBER STORAGE                   | 109.9 CUBIC FEET      | (3.11 m <sup>3</sup> )        |
| MINIMUM INSTALLED STORAGE* WEIGHT | 175.0 CUBIC FEET      | (4.96 m <sup>3</sup> )        |
|                                   | 134 lbs.              | (60.8 kg)                     |

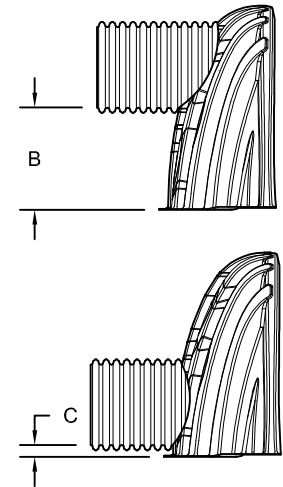
**NOMINAL END CAP SPECIFICATIONS**

|                                   |                       |                              |
|-----------------------------------|-----------------------|------------------------------|
| SIZE (W X H X INSTALLED LENGTH)   | 75.0" X 45.0" X 22.2" | (1905 mm X 1143 mm X 564 mm) |
| END CAP STORAGE                   | 14.9 CUBIC FEET       | (0.42 m <sup>3</sup> )       |
| MINIMUM INSTALLED STORAGE* WEIGHT | 45.1 CUBIC FEET       | (1.28 m <sup>3</sup> )       |
|                                   | 49 lbs.               | (22.2 kg)                    |

\*ASSUMES 12" (305 mm) STONE ABOVE, 9" (229 mm) STONE FOUNDATION, 6" (152 mm) STONE BETWEEN CHAMBERS, 6" (152 mm) STONE PERIMETER IN FRONT OF END CAPS AND 40% STONE POROSITY.

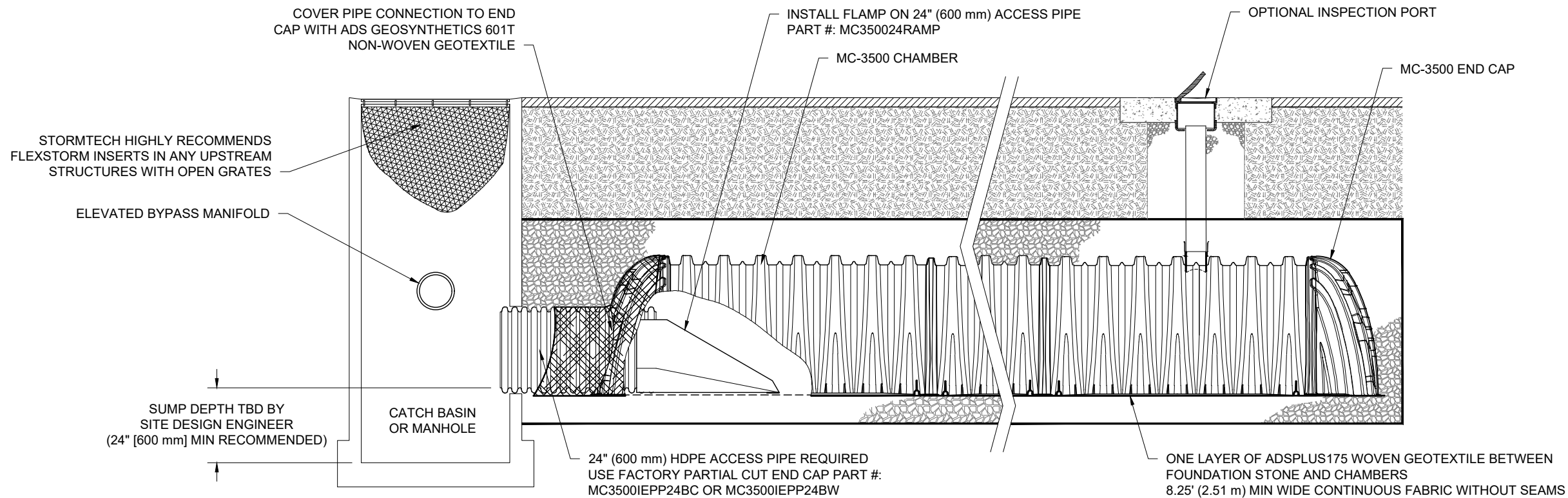
PARTIAL CUT HOLES AT BOTTOM OF END CAP FOR PART NUMBERS ENDING WITH "B"  
 PARTIAL CUT HOLES AT TOP OF END CAP FOR PART NUMBERS ENDING WITH "T"  
 END CAPS WITH A PREFABRICATED WELDED STUB END WITH "W"  
 END CAPS WITH A WELDED CROWN PLATE END WITH "C"

| PART #         | STUB         | B               | C             |
|----------------|--------------|-----------------|---------------|
| MC3500IEPP06T  | 6" (150 mm)  | 33.21" (844 mm) | ---           |
| MC3500IEPP06B  |              | ---             | 0.66" (17 mm) |
| MC3500IEPP08T  | 8" (200 mm)  | 31.16" (791 mm) | ---           |
| MC3500IEPP08B  |              | ---             | 0.81" (21 mm) |
| MC3500IEPP10T  | 10" (250 mm) | 29.04" (738 mm) | ---           |
| MC3500IEPP10B  |              | ---             | 0.93" (24 mm) |
| MC3500IEPP12T  | 12" (300 mm) | 26.36" (670 mm) | ---           |
| MC3500IEPP12B  |              | ---             | 1.35" (34 mm) |
| MC3500IEPP15T  | 15" (375 mm) | 23.39" (594 mm) | ---           |
| MC3500IEPP15B  |              | ---             | 1.50" (38 mm) |
| MC3500IEPP18TC | 18" (450 mm) | 20.03" (509 mm) | ---           |
| MC3500IEPP18TW |              |                 | ---           |
| MC3500IEPP18BC |              | ---             | 1.77" (45 mm) |
| MC3500IEPP18BW |              | ---             | ---           |
| MC3500IEPP24TC | 24" (600 mm) | 14.48" (368 mm) | ---           |
| MC3500IEPP24TW |              |                 | ---           |
| MC3500IEPP24BC |              | ---             | 2.06" (52 mm) |
| MC3500IEPP24BW |              | ---             | ---           |
| MC3500IEPP30BC | 30" (750 mm) | ---             | 2.75" (70 mm) |



CUSTOM PARTIAL CUT INVERTS ARE AVAILABLE UPON REQUEST. INVENTORIED MANIFOLDS INCLUDE 12-24" (300-600 mm) SIZE ON SIZE AND 15-48" (375-1200 mm) ECCENTRIC MANIFOLDS. CUSTOM INVERT LOCATIONS ON THE MC-3500 END CAP CUT IN THE FIELD ARE NOT RECOMMENDED FOR PIPE SIZES GREATER THAN 10" (250 mm). THE INVERT LOCATION IN COLUMN 'B' ARE THE HIGHEST POSSIBLE FOR THE PIPE SIZE.

NOTE: ALL DIMENSIONS ARE NOMINAL



**MC-3500 ISOLATOR ROW PLUS DETAIL**

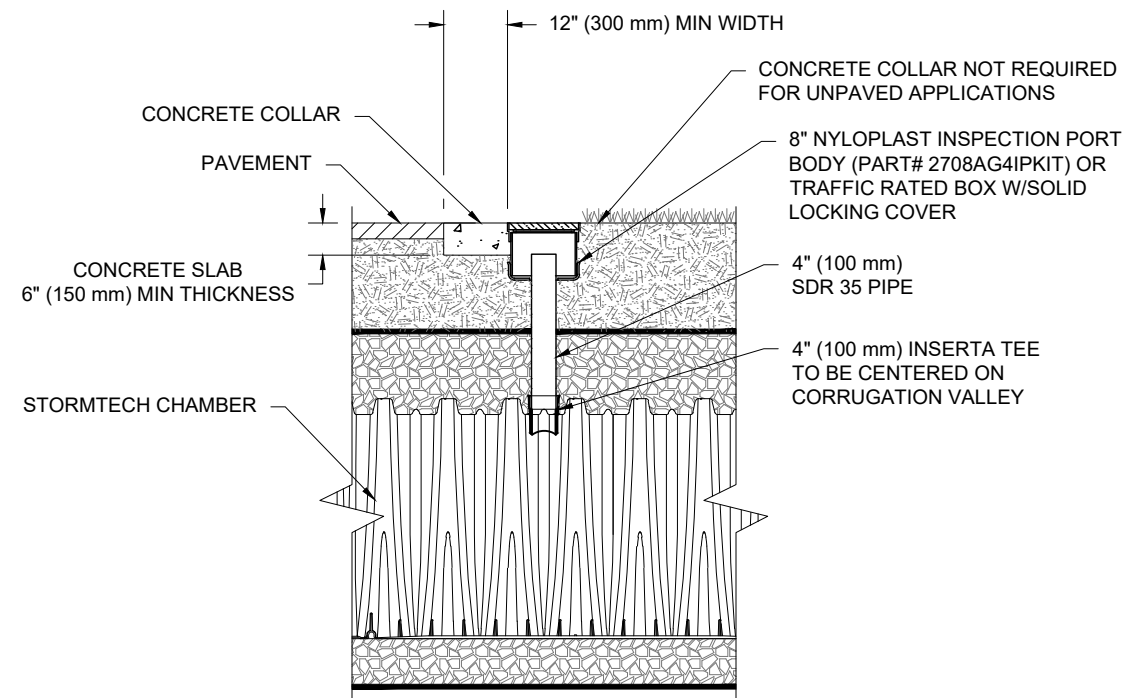
NTS

**INSPECTION & MAINTENANCE**

- STEP 1) INSPECT ISOLATOR ROW PLUS FOR SEDIMENT
- A. INSPECTION PORTS (IF PRESENT)
    - A.1. REMOVE/OPEN LID ON NYLOPLAST INLINE DRAIN
    - A.2. REMOVE AND CLEAN FLEXSTORM FILTER IF INSTALLED
    - A.3. USING A FLASHLIGHT AND STADIA ROD, MEASURE DEPTH OF SEDIMENT AND RECORD ON MAINTENANCE LOG
    - A.4. LOWER A CAMERA INTO ISOLATOR ROW PLUS FOR VISUAL INSPECTION OF SEDIMENT LEVELS (OPTIONAL)
    - A.5. IF SEDIMENT IS AT, OR ABOVE, 3" (80 mm) PROCEED TO STEP 2. IF NOT, PROCEED TO STEP 3.
  - B. ALL ISOLATOR PLUS ROWS
    - B.1. REMOVE COVER FROM STRUCTURE AT UPSTREAM END OF ISOLATOR ROW PLUS
    - B.2. USING A FLASHLIGHT, INSPECT DOWN THE ISOLATOR ROW PLUS THROUGH OUTLET PIPE
      - i) MIRRORS ON POLES OR CAMERAS MAY BE USED TO AVOID A CONFINED SPACE ENTRY
      - ii) FOLLOW OSHA REGULATIONS FOR CONFINED SPACE ENTRY IF ENTERING MANHOLE
    - B.3. IF SEDIMENT IS AT, OR ABOVE, 3" (80 mm) PROCEED TO STEP 2. IF NOT, PROCEED TO STEP 3.
- STEP 2) CLEAN OUT ISOLATOR ROW PLUS USING THE JETVAC PROCESS
- A. A FIXED CULVERT CLEANING NOZZLE WITH REAR FACING SPREAD OF 45" (1.1 m) OR MORE IS PREFERRED
  - B. APPLY MULTIPLE PASSES OF JETVAC UNTIL BACKFLUSH WATER IS CLEAN
  - C. VACUUM STRUCTURE SUMP AS REQUIRED
- STEP 3) REPLACE ALL COVERS, GRATES, FILTERS, AND LIDS; RECORD OBSERVATIONS AND ACTIONS.
- STEP 4) INSPECT AND CLEAN BASINS AND MANHOLES UPSTREAM OF THE STORMTECH SYSTEM.

**NOTES**

1. INSPECT EVERY 6 MONTHS DURING THE FIRST YEAR OF OPERATION. ADJUST THE INSPECTION INTERVAL BASED ON PREVIOUS OBSERVATIONS OF SEDIMENT ACCUMULATION AND HIGH WATER ELEVATIONS.
2. CONDUCT JETTING AND VACTORING ANNUALLY OR WHEN INSPECTION SHOWS THAT MAINTENANCE IS NECESSARY.



NOTE:  
INSPECTION PORTS MAY BE CONNECTED THROUGH ANY CHAMBER CORRUGATION VALLEY.

**4" PVC INSPECTION PORT DETAIL  
(MC SERIES CHAMBER)**

NTS

MC-3500

ISOLATOR ROW PLUS DETAILS

|            |         |          |     |
|------------|---------|----------|-----|
| DATE:      | 8/03/22 | DRAWN:   | KLJ |
| PROJECT #: |         | CHECKED: | KLJ |

| DATE | DRWN | CHKD | DESCRIPTION |
|------|------|------|-------------|
|      |      |      |             |
|      |      |      |             |
|      |      |      |             |

**StormTech®**  
Chamber System

888-892-2694 | WWW.STORMTECH.COM

4640 TRUJEMAN BLVD  
HILLIARD, OH 43026



THIS DRAWING HAS BEEN PREPARED BASED ON INFORMATION PROVIDED TO ADS UNDER THE DIRECTION OF THE SITE DESIGN ENGINEER OR OTHER PROJECT REPRESENTATIVE. THE SITE DESIGN ENGINEER SHALL REVIEW THIS DRAWING PRIOR TO CONSTRUCTION. IT IS THE ULTIMATE RESPONSIBILITY OF THE SITE DESIGN ENGINEER TO ENSURE THAT THE PRODUCT(S) DEPICTED AND ALL ASSOCIATED DETAILS MEET ALL APPLICABLE LAWS, REGULATIONS, AND PROJECT REQUIREMENTS.

# Isolator<sup>®</sup> Row Plus

## O&M Manual

---



# The Isolator<sup>®</sup> Row Plus

## Introduction

An important component of any Stormwater Pollution Prevention Plan is inspection and maintenance. The StormTech Isolator Row Plus is a technique to inexpensively enhance Total Suspended Solids (TSS) and Total Phosphorus (TP) removal with easy access for inspection and maintenance.

## The Isolator Row Plus

The Isolator Row Plus is a row of StormTech chambers, either SC-160, SC-310, SC-310-3, SC-740, DC-780, MC-3500 or MC-7200 models, that is surrounded with filter fabric and connected to a closely located manhole for easy access. The fabric-wrapped chambers provide for sediment settling and filtration as stormwater rises in the Isolator Row Plus and passes through the filter fabric. The open bottom chambers and perforated sidewalls (SC-310, SC-310-3 and SC-740 models) allow stormwater to flow both vertically and horizontally out of the chambers. Sediments are captured in the Isolator Row Plus protecting the adjacent stone and chambers storage areas from sediment accumulation.

ADS geotextile fabric is placed between the stone and the Isolator Row Plus chambers. The woven geotextile provides a media for stormwater filtration, a durable surface for maintenance, prevents scour of the underlying stone and remains intact during high pressure jetting. A non-woven fabric is placed over the chambers to provide a filter media for flows passing through the chamber's sidewall. The non-woven fabric is not required over the SC-160, DC-780, MC-3500 or MC-7200 models as these chambers do not have perforated side walls.

The Isolator Row Plus is designed to capture the "first flush" runoff and offers the versatility to be sized on a volume basis or a flow-rate basis. An upstream manhole provides access to the Isolator Row Plus and includes a high/low concept such that stormwater flow rates or volumes that exceed the capacity of the Isolator Row Plus bypass through a manifold to the other chambers. This is achieved with an elevated bypass manifold or a high-flow weir. This creates a differential between the Isolator Row Plus row of chambers and the manifold to the rest of the system, thus allowing for settlement time in the Isolator Row Plus. After Stormwater flows through the Isolator Row Plus and into the rest of the chamber system it is either exfiltrated into the soils below or passed at a controlled rate through an outlet manifold and outlet control structure.

The Isolator Row FLAMP<sup>™</sup> (patent pending) is a flared end ramp apparatus attached to the inlet pipe on the inside of the chamber end cap. The FLAMP provides a smooth transition from pipe invert to fabric bottom. It is configured to improve chamber function performance by enhancing outflow of solid debris that would otherwise collect at the chamber's end. It also serves to improve the fluid and solid flow into the access pipe during maintenance and cleaning and to guide cleaning and inspection equipment back into the inlet pipe when complete.

The Isolator Row Plus may be part of a treatment train system. The treatment train design and pretreatment device selection by the design engineer is often driven by regulatory requirements. Whether pretreatment is used or not, StormTech recommend using the Isolator Row Plus to minimize maintenance requirements and maintenance costs.

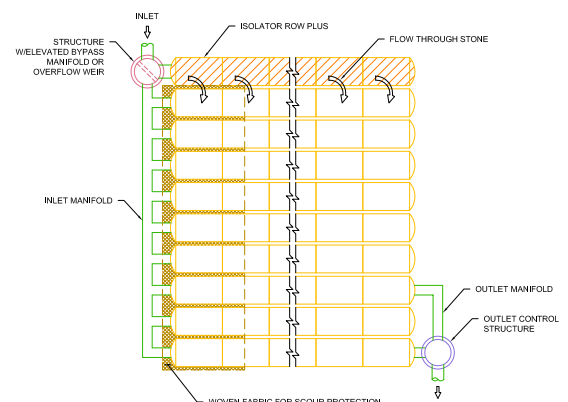
**Note:** See the StormTech Design Manual for detailed information on designing inlets for a StormTech system, including the Isolator Row Plus.



Looking down the Isolator Row PLUS from the manhole opening, ADS PLUS Fabric is shown between the chamber and stone base.



StormTech Isolator Row PLUS with Overflow Spillway (not to scale)



# Isolator Row Plus Inspection/Maintenance

## Inspection

The frequency of inspection and maintenance varies by location. A routine inspection schedule needs to be established for each individual location based upon site specific variables. The type of land use (i.e. industrial, commercial, residential), anticipated pollutant load, percent imperviousness, climate, etc. all play a critical role in determining the actual frequency of inspection and maintenance practices.

At a minimum, StormTech recommends annual inspections. Initially, the Isolator Row Plus should be inspected every 6 months for the first year of operation. For subsequent years, the inspection should be adjusted based upon previous observation of sediment deposition.

The Isolator Row Plus incorporates a combination of standard manhole(s) and strategically located inspection ports (as needed). The inspection ports allow for easy access to the system from the surface, eliminating the need to perform a confined space entry for inspection purposes.

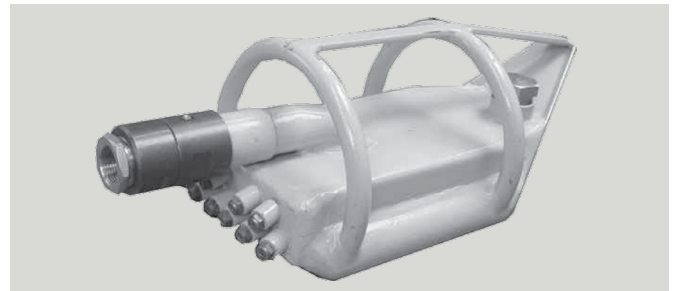
If upon visual inspection it is found that sediment has accumulated, a stadia rod should be inserted to determine the depth of sediment. When the average depth of sediment exceeds 3 inches throughout the length of the Isolator Row Plus, clean-out should be performed.

## Maintenance

The Isolator Row Plus was designed to reduce the cost of periodic maintenance. By "isolating" sediments to just one row, costs are dramatically reduced by eliminating the need to clean out each row of the entire storage bed. If inspection indicates the potential need for maintenance, access is provided

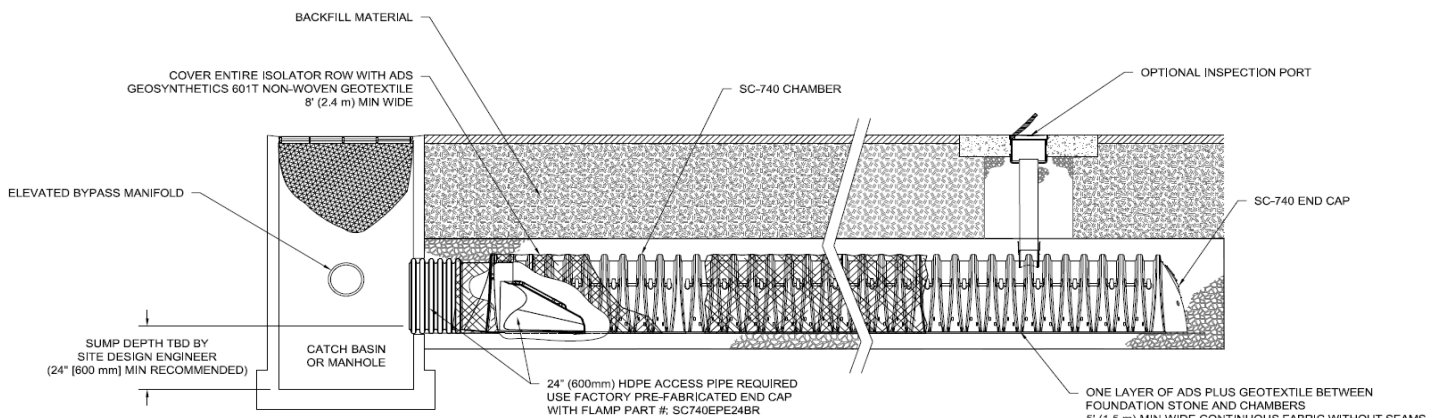
via a manhole(s) located on the end(s) of the row for cleanout. If entry into the manhole is required, please follow local and OSHA rules for a confined space entries.

Maintenance is accomplished with the JetVac process. The JetVac process utilizes a high pressure water nozzle to propel itself down the Isolator Row Plus while scouring and suspending sediments. As the nozzle is retrieved, the captured pollutants are flushed back into the manhole for vacuuming. Most sewer and pipe maintenance companies have vacuum/JetVac combination vehicles. Selection of an appropriate JetVac nozzle will improve maintenance efficiency. Fixed nozzles designed for culverts or large diameter pipe cleaning are preferable. Rear facing jets with an effective spread of at least 45" are best. StormTech recommends a maximum nozzle pressure of 2000 psi be utilized during cleaning. JetVac reels can vary in length. For ease of maintenance, ADS recommends Isolator Row Plus lengths up to 200' (61 m). **The JetVac process shall only be performed on StormTech Isolator Row Plus that have ADS Plus Fabric (as specified by StormTech) over their angular base stone.**



## StormTech Isolator Row PLUS (not to scale)

**Note:** Non-woven fabric is only required over the inlet pipe connection into the end cap for SC-160LP, DC-780, MC-3500 and MC-7200 chamber models and is not required over the entire Isolator Row PLUS.





# Isolator Row Plus Step By Step Maintenance Procedures

## Step 1

Inspect Isolator Row Plus for sediment.

- A) Inspection ports (if present)
  - i. Remove lid from floor box frame
  - ii. Remove cap from inspection riser
  - iii. Using a flashlight and stadia rod, measure depth of sediment and record results on maintenance log.
  - iv. If sediment is at or above 3 inch depth, proceed to Step 2. If not, proceed to Step 3.
- B) All Isolator Row Plus
  - i. Remove cover from manhole at upstream end of Isolator Row Plus
  - ii. Using a flashlight, inspect down Isolator Row Plus through outlet pipe
    - 1. Mirrors on poles or cameras may be used to avoid a confined space entry
    - 2. Follow OSHA regulations for confined space entry if entering manhole
  - iii. If sediment is at or above the lower row of sidewall holes (approximately 3 inches), proceed to Step 2. If not, proceed to Step 3.

## Step 2

Clean out Isolator Row Plus using the JetVac process.

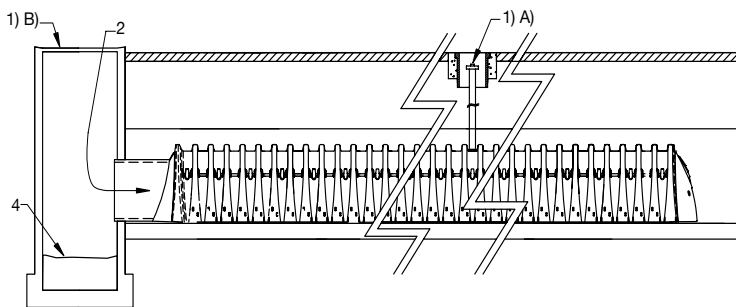
- A) A fixed floor cleaning nozzle with rear facing nozzle spread of 45 inches or more is preferable
- B) Apply multiple passes of JetVac until backflush water is clean
- C) Vacuum manhole sump as required

## Step 3

Replace all caps, lids and covers, record observations and actions.

## Step 4

Inspect & clean catch basins and manholes upstream of the StormTech system.



## Sample Maintenance Log

| Date    | Stadia Rod Readings               |                                    | Sedi-ment Depth (1)-(2) | Observations/Actions  | Inspector |
|---------|-----------------------------------|------------------------------------|-------------------------|---|-----------|
|         | Fixed point to chamber bottom (1) | Fixed point to top of sediment (2) |                         |   |           |
| 3/15/11 | 6.3 ft                            | none                               |                         | New installation. Fixed point is CI frame at grade                              | DJM       |
| 9/24/11 |                                   | 6.2                                | 0.1 ft                  | Some grit felt  | SM        |
| 6/20/13 |                                   | 5.8                                | 0.5 ft                  | Mucky feel, debris visible in manhole and in Isolator Row PLUS, maintenance due | NV        |
| 7/7/13  | 6.3 ft                            |                                    | 0                       | System jetted and vacuumed  | DJM       |

adspipe.com

800-821-6710

# StormTech® Installation Guide

## MC-3500 & MC-4500 Chamber



StormTech  
Installation Video

### Required Materials and Equipment List

- Acceptable fill materials per Table 1
- ADS Plus and non-woven geotextile fabrics
- StormTech solid end caps, pre-cored and pre-fabricated end caps
- StormTech chambers, manifolds and fittings

*Note: MC-3500 chamber pallets are 77" x 90" (2.0 m x 2.3 m) and weigh about 2010 lbs. (912 kg) and MC-4500 pallets are 100" x 52" (2.5 m x 1.3 m) and weigh about 840 lbs. (381 kg). Unloading chambers requires 72" (1.8 m) (min.) forks and/or tie downs (straps, chains, etc).*

### Important Notes:

- This installation guide provides the minimum requirements for proper installation of chambers. Nonadherence to this guide may result in damage to chambers during installation. Replacement of damaged chambers during or after backfilling is costly and very time consuming. It is recommended that all installers are familiar with this guide, and that the contractor inspects the chambers for distortion, damage and joint integrity as work progresses.
- Use of a dozer to push embedment stone between the rows of chambers may cause damage to chambers and is not an acceptable backfill method. Any chambers damaged by using the "dump and push" method are not covered under the StormTech standard warranty.
- Care should be taken in the handling of chambers and end caps. End caps must be stored standing upright. Avoid dropping, prying or excessive force on chambers during removal from pallet and initial placement.

## Requirements for System Installation



Excavate bed and prepare subgrade per engineer's plans. Plans and specifications should include Best Management Practices (BMPs) to deter contamination of open pits during construction.



Place non-woven geotextile over prepared soils and up excavation walls.



Place clean, crushed, angular stone foundation 9" (230 mm) min. Install underdrains if required. Compact to achieve a flat surface.

# Manifold, Scour Fabric and Chamber Assembly



Install manifolds and lay out ADS PLUS fabric at inlet rows [min. 17.5 ft (5.33 m)] at each inlet end cap. Place a continuous piece (no seams) along entire length of Isolator® PLUS Row(s).



Align the first chamber and end cap of each row with inlet pipes. Contractor may choose to postpone stone placement around end chambers and leave ends of rows open for easy inspection of chambers during the backfill process.

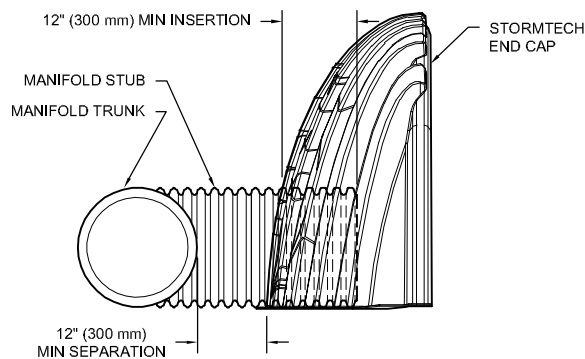


Continue installing chambers by overlapping chamber end corrugations. Chamber joints are labeled "Lower Joint - Overlap Here" and "Build this direction - Upper Joint". Be sure that the chamber placement does not exceed the reach of the construction equipment used to place the stone. Maintain minimum 6" (150 mm) spacing between MC-3500 rows and 9" (230 mm) spacing between MC-4500 rows.



Place a continuous layer of ADS PLUS fabric between the foundation stone and the Isolator Row PLUS chambers, making sure the fabric lays flat and extends the entire width of the chamber feet. When used on an Isolator Row PLUS, a 24" FLAMP (flared end ramp) is attached to the inside of the inlet pipe with a provided threaded rod and bolt. The FLAMP then lays on top of the ADS PLUS fabric.

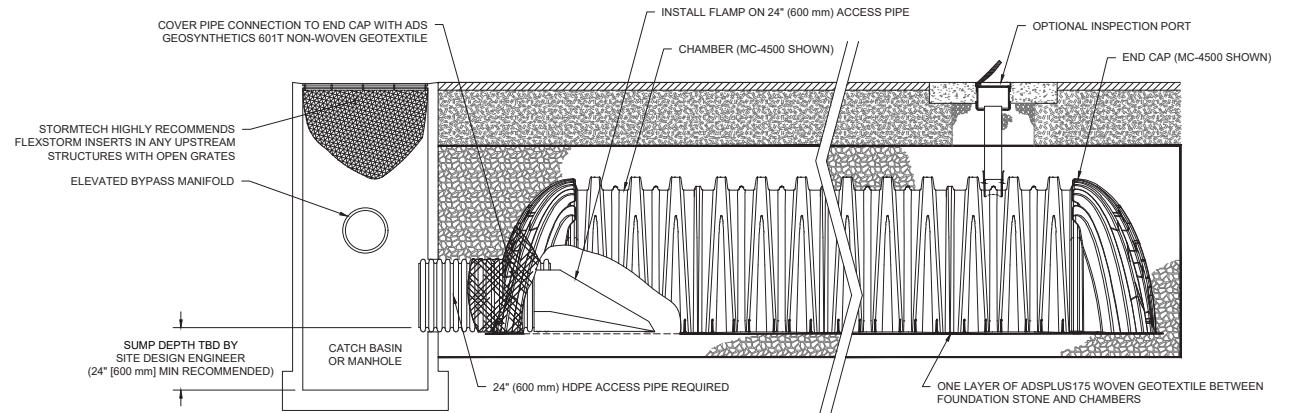
## Manifold Insertion



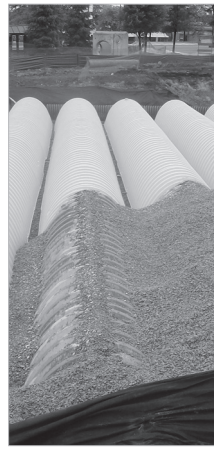
NOTE: MANIFOLD STUB MUST BE LAID HORIZONTAL FOR A PROPER FIT IN END CAP OPENING.

Insert inlet and outlet manifolds a minimum 12" (300 mm) into chamber end caps. Manifold header should be a minimum 12" (300 mm) from base of end cap.

## StormTech Isolator Row Plus Detail



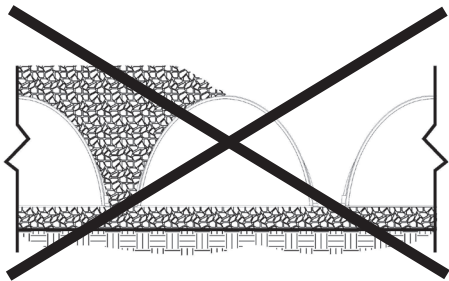
## Initial Anchoring of Chambers – Embedment Stone



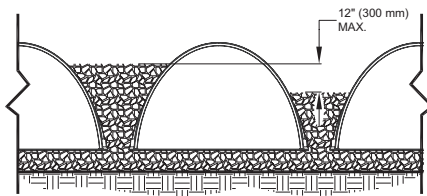
Initial embedment shall be spotted along the centerline of the chamber evenly anchoring the lower portion of the chamber. This is best accomplished with a stone conveyor or excavator reaching along the row.

No equipment shall be operated on the bed at this stage of the installation. Excavators must be located off the bed. Dump trucks shall not dump stone directly on to the bed. Dozers or loaders are not allowed on the bed at this time.

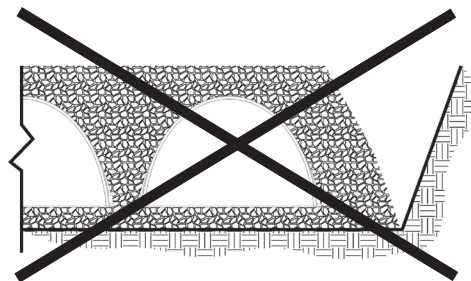
## Backfill of Chambers – Embedment Stone



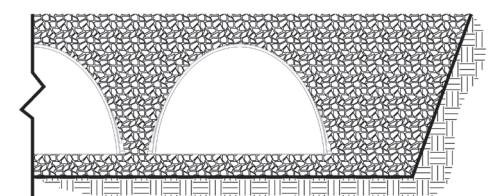
**Uneven Backfill**



**Even Backfill**



**Perimeter Not Backfilled**

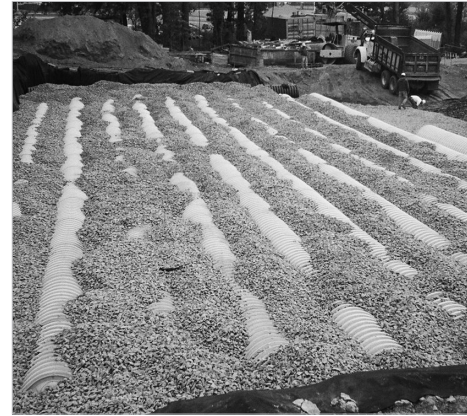


**Perimeter Fully Backfilled**

Backfill chambers evenly. Stone column height should never differ by more than 12" (300 mm) between adjacent chamber rows or between chamber rows and perimeter.

Perimeter stone must be brought up evenly with chamber rows. Perimeter must be fully backfilled, with stone extended horizontally to the excavation wall.

## Backfill of Chambers – Embedment Stone and Cover Stone



Continue evenly backfilling between rows and around perimeter until embedment stone reaches tops of chambers and a minimum 12" (300 mm) of cover stone is in place. Perimeter stone must extend horizontally to the excavation wall for both straight or sloped sidewalls. The recommended backfill methods are with a stone conveyor outside of the bed or build as you go with an excavator inside the bed reaching along the rows. Backfilling while assembling chambers rows as shown in the picture will help to ensure that equipment reach is not exceeded.

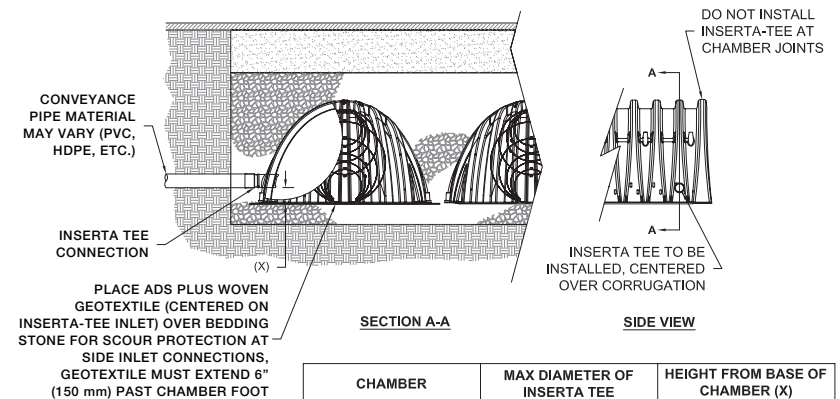
**Only after chambers have been backfilled to top of chamber and with a minimum 12" (300 mm) of cover stone on top of chambers can skid loaders and small LGP dozers be used to final grade cover stone and backfill material in accordance with ground pressure limits in Table 2.** Equipment must push material parallel to rows only. Never push perpendicular to rows. StormTech recommends the contractor inspect chamber rows before placing final backfill. Any chambers damaged by construction equipment shall be removed and replaced.

## Final Backfill of Chambers – Fill Material



Install non-woven geotextile over stone. Geotextile must overlap 24" (600 mm) where edges meet. Compact at 24" (600 mm) of fill. Roller travel parallel with rows.

## Inserta Tee Detail



**NOTE:** PART NUMBERS WILL VARY BASED ON INLET PIPE MATERIALS. CONTACT STORMTECH FOR MORE INFORMATION.

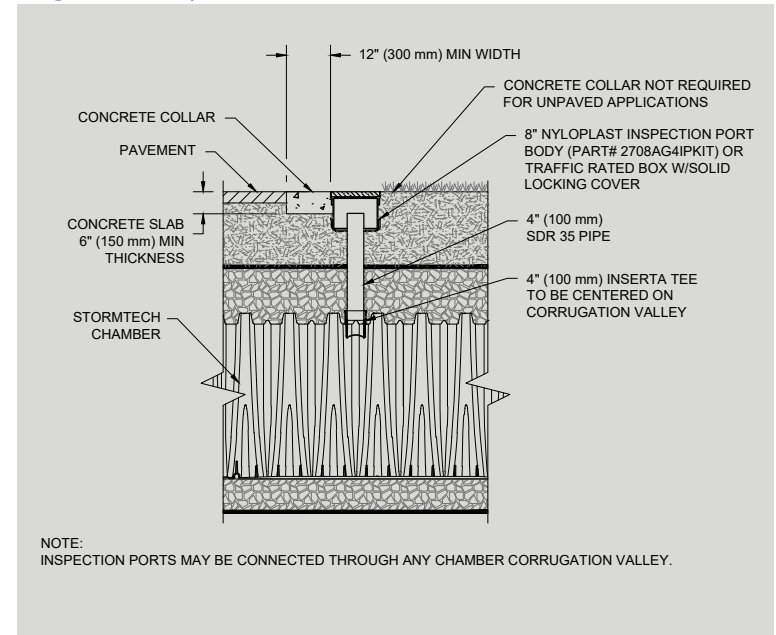
| CHAMBER | MAX DIAMETER OF INSERTA TEE | HEIGHT FROM BASE OF CHAMBER (X) |
|---------|-----------------------------|---------------------------------|
| MC-3500 | 12" (250 mm)                | 6" (150 mm)                     |
| MC-4500 | 12" (250 mm)                | 8" (200 mm)                     |

INSERTA TEE FITTINGS AVAILABLE FOR SDR 26, SDR 35, SCH 40 IPS GASKETED & SOLVENT WELD, N-12, HP STORM, C-900 OR DUCTILE IRON

**Table 1- Acceptable Fill Materials**

| Material Location  | Description   | AASHTO M43 Designation <sup>1</sup>   | Compaction/Density Requirement   |
|--|---|---|--|
| <b>(D) Final Fill:</b> Fill Material for layer 'D' starts from the top of the 'C' layer to the bottom of flexible pavement or unpaved finished grade above. Note that the pavement subbase may be part of the 'D' layer. | Any soil/rock materials, native soils or per engineer's plans. Check plans for pavement subgrade requirements.                                      | N/A   | Prepare per site design engineer's plans. Paved installations may have stringent material and preparation requirements.  |
| <b>(C) Initial Fill:</b> Fill Material for layer 'C' starts from the top of the embedment stone ('B' layer) to 24" (600 mm) above the top of the chamber. Note that pavement subbase may be part of the 'C' layer.       | Granular well-graded soil/aggregate mixtures, <35% fines or processed aggregate. Most pavement subbase materials can be used in lieu of this layer. | AASHTO M145 <sup>1</sup><br>A-1, A-2-4, A-3<br>or<br>AASHTO M43 <sup>1</sup><br>3, 357, 4, 467, 5, 56,<br>57, 6, 67, 68, 7, 78,<br>8, 89, 9, 10 | Begin compaction after min. 24" (600 mm) of material over the chambers is reached. Compact additional layers in 12" (300 mm) max. lifts to a min. 95% Proctor density for well-graded material and 95% relative density for processed aggregate materials. |
| <b>(B) Embedment Stone:</b> Fill the surrounding chambers from the foundation stone ('A' layer) to the 'C' layer above.  | Clean, crushed, angular stone   | AASHTO M43 <sup>1</sup><br>3, 4   | No compaction required.  |
| <b>(A) Foundation Stone:</b> Fill below chambers from the subgrade up to the foot (bottom) of the chamber.   | Clean, crushed, angular stone,  | AASHTO M43 <sup>1</sup><br>3, 4   | Place and compact in 9" (230 mm) max lifts using two full coverages with a vibratory compactor. <sup>2,3</sup>   |

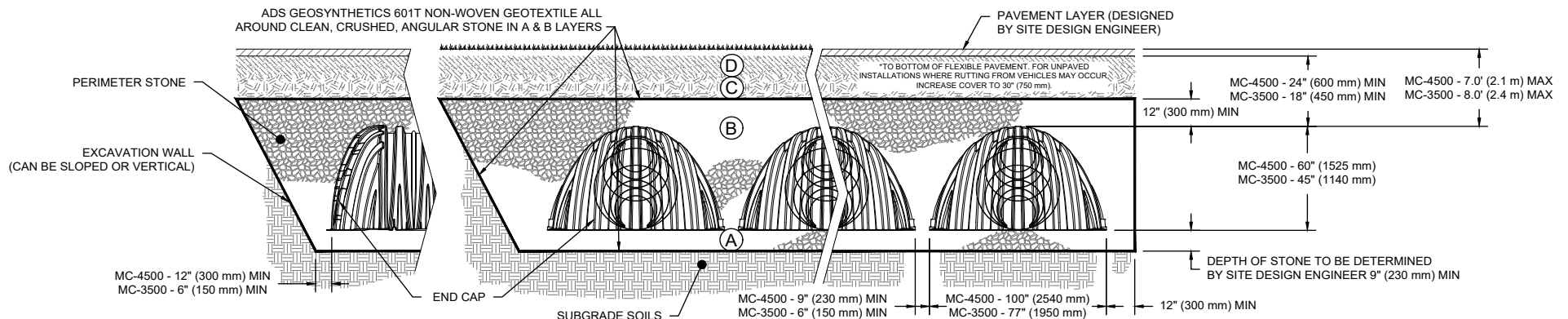
**Figure 1- Inspection Port Detail**



**Please Note:**

1. The listed AASHTO designations are for gradations only. The stone must also be clean, crushed, angular. For example, a specification for #4 stone would state: "clean, crushed, angular no. 4 (AASHTO M43) stone".
2. StormTech compaction requirements are met for 'A' location materials when placed and compacted in 9" (230 mm) (max) lifts using two full coverages with a vibratory compactor.
3. Where infiltration surfaces may be comprised by compaction, for standard installations and standard design load conditions, a flat surface may be achieved by raking or dragging without compaction equipment. For special load designs, contact StormTech for compaction requirements.

**Figure 2 - Fill Material Locations**



**Notes:**

- 36" (900 mm) of stabilized cover materials over the chambers is recommended during the construction phase if general construction activities, such as full dump truck travel and dumping, are to occur over the bed.
- During paving operations, dump truck axle loads on 18" (450mm) of cover for MC-3500s may be necessary. Precautions should be taken to avoid rutting of the road base layer, to ensure that compaction requirements have been met, and that a minimum of 18" (450mm) of cover for MC-3500s exists over the chambers. Contact StormTech for additional guidance on allowable axle loads during paving.
- Ground pressure for track dozers is the vehicle operating weight divided by total ground contact area for both tracks. Excavators will exert higher ground pressures based on loaded bucket weight and boom extension.
- Mini-excavators (<8,000lbs/3,628 kg) can be used with at least 12" (300 mm) of stone over the chambers and are limited by the maximum ground pressures in Table 2 based on a full bucket at maximum boom extension.
- StormTech does not require compaction of initial fill at 18" (450 mm) of cover. However, requirements by others for 6" (150 mm) lifts may necessitate the use of small compactors at 18" (450 mm) of cover.
- Storage of materials such as construction materials, equipment, spoils, etc. should not be located over the StormTech system. The use of equipment over the StormTech system not covered in Table 2 (ex. soil mixing equipment, cranes, etc) is limited. Please contact StormTech for more information.
- Allowable track loads based on vehicle travel only. Excavators shall not operate on chamber beds until the total backfill reaches 3 feet (900 mm) over the entire bed.

Call StormTech at **888.892.2694** for technical and product information or visit [www.stormtech.com](http://www.stormtech.com)

**Table 2 - Maximum Allowable Construction Vehicle Loads<sup>6</sup>**

| Material Location       | Fill Depth over Chambers in. (mm) | Maximum Allowable Wheel Loads     |                                     | Maximum Allowable Track Loads <sup>6</sup> |                               | Maximum Allowable Roller Loads                 |
|-------------------------|-----------------------------------|-----------------------------------|-------------------------------------|--|-------------------------------|--|
|                         |                                   | Max Axle Load for Trucks lbs (kN) | Max Wheel Load for Loaders lbs (kN) | Track Width in. (mm)                       | Max Ground Pressure psf (kPa) | Max Drum Weight or Dynamic Force lbs (kN)      |
| D Final Fill Material   | 36" (900) Compacted               | 32,000 (142)                      | 16,000 (71)                         | 12" (305)                                  | 4050 (194)                    | 38,000 (169)                                   |
|                         |                                   |                                   |                                     | 18" (457)                                  | 2760 (132)                    |  |
|                         |                                   |                                   |                                     | 24" (610)                                  | 2130 (102)                    |  |
|                         |                                   |                                   |                                     | 30" (762)                                  | 1770 (84)                     |  |
| C Initial Fill Material | 24" (600) Compacted               | 32,000 (142)                      | 16,000 (71)                         | 12" (305)                                  | 2750 (131)                    | 20,000 (89)                                    |
|                         |                                   |                                   |                                     | 18" (457)                                  | 1920 (92)                     |  |
|                         |                                   |                                   |                                     | 24" (610)                                  | 1520 (73)                     |  |
|                         |                                   |                                   |                                     | 30" (762)                                  | 1310 (63)                     |  |
|                         | 24" (600) Loose/Dumped            | MC-3500                           |                                     | 12" (305)                                  | 2430 (116)                    | 16,000 (71)                                    |
|                         |                                   | 32,000 (142)                      |                                     | 18" (457)                                  | 1730 (82)                     |  |
|                         |                                   | MC-4500                           |                                     | 24" (610)                                  | 1390 (66)                     |  |
|                         |                                   | 24,000 (107)                      |                                     | 30" (762)                                  | 1210 (58)                     |  |
|                         | 18" (450)                         | MC-3500                           |                                     | 12" (305)                                  | 2140 (102)                    | 5,000 (22)<br>(static loads only) <sup>5</sup> |
|                         |                                   | 32,000 (142)                      |                                     | 18" (457)                                  | 1530 (73)                     |  |
|                         |                                   | MC-4500                           |                                     | 24" (610)                                  | 1260 (60)                     |  |
|                         |                                   | 24,000 (107)                      |                                     | 30" (762)                                  | 1120 (53)                     |  |
| B Embedment Stone       | 12" (300)                         | Not Allowed                       | Not Allowed                         | 12" (305)                                  | 1100 (53)                     | Not Allowed                                    |
|                         |                                   |                                   |                                     | 18" (457)                                  | 710 (34)                      |  |
|                         |                                   |                                   |                                     | 24" (610)                                  | 660 (32)                      |  |
|                         |                                   |                                   |                                     | 30" (762)                                  | 580 (28)                      |  |
| 6" (150)                | Not Allowed                       | Not Allowed                       | Not Allowed                         | Not Allowed                                | Not Allowed                   | Not Allowed                                    |

**Table 3 - Placement Methods and Descriptions**

| Material Location       | Placement Methods/Restrictions   | Wheel Load Restrictions  | Track Load Restrictions   | Roller Load Restrictions   |
|-------------------------|--|--|---|--|
|                         |  | See Table 2 for Maximum Construction Loads   |   |  |
| D Final Fill Material   | A variety of placement methods may be used. All construction loads must not exceed the maximum limits in Table 2.  | 36" (900 mm) minimum cover required for dump trucks to dump over chambers.                                   | Dozers to push parallel to rows. <sup>4</sup>   | Roller travel parallel to rows only until 36" (900 mm) compacted cover is reached.   |
| C Initial Fill Material | Excavator positioned off bed recommended. Small excavator allowed over chambers. Small dozer allowed.  | Asphalt can be dumped into paver when compacted pavement subbase reaches 24" (600 mm) above top of chambers. | Small LGP track dozers & skid loaders allowed to grade cover stone with at least 12" (300 mm) stone under tracks at all times. Equipment must push parallel to rows at all times. | Use dynamic force of roller only after compacted fill depth reaches 24" (600 mm) over chambers. Roller travel parallel to chamber rows only. |
| B Embedment Stone       | No equipment allowed on bare chambers. Use excavator or stone conveyor positioned off bed or on foundation stone to evenly fill around all chambers to at least the top of chambers. | No wheel loads allowed. Material must be placed outside the limits of the chamber bed.                       | No tracked equipment is allowed on chambers until a min. 12" (300 mm) cover stone is in place.  | No rollers allowed.  |
| A Foundation Stone      | No StormTech restrictions. Contractor responsible for any conditions or requirements by others relative to subgrade bearing capacity, dewatering or protection of subgrade.          |  |   |  |



# StormTech® Standard Limited Warranty

## STANDARD LIMITED WARRANTY OF STORMTECH LLC (“STORMTECH”): PRODUCTS

- (A) This Limited Warranty applies solely to the StormTech chambers and end plates manufactured by StormTech and sold to the original purchaser (the “Purchaser”). The chambers and end plates are collectively referred to as the “Products.”
- (B) The structural integrity of the Products, when installed strictly in accordance with StormTech’s written installation instructions at the time of installation, are warranted to the Purchaser against defective materials and workmanship for one (1) year from the date of purchase. Should a defect appear in the Limited Warranty period, the Purchaser shall provide StormTech with written notice of the alleged defect at StormTech’s corporate headquarters within ten (10) days of the discovery of the defect. The notice shall describe the alleged defect in reasonable detail. StormTech agrees to supply replacements for those Products determined by StormTech to be defective and covered by this Limited Warranty. The supply of replacement products is the sole remedy of the Purchaser for breaches of this Limited Warranty. StormTech’s liability specifically excludes the cost of removal and/or installation of the Products.
- (C) THIS LIMITED WARRANTY IS EXCLUSIVE. THERE ARE NO OTHER WARRANTIES WITH RESPECT TO THE PRODUCTS, INCLUDING NO IMPLIED WARRANTIES OF MERCHANTABILITY OR OF FITNESS FOR A PARTICULAR PURPOSE.
- (D) This Limited Warranty only applies to the Products when the Products are installed in a single layer. UNDER NO CIRCUMSTANCES, SHALL THE PRODUCTS BE INSTALLED IN A MULTI-LAYER CONFIGURATION.
- (E) No representative of StormTech has the authority to change this Limited Warranty in any manner or to extend this Limited Warranty. This Limited Warranty does not apply to any person other than to the Purchaser.
- (F) Under no circumstances shall StormTech be liable to the Purchaser or to any third party for product liability claims; claims arising from the design, shipment, or installation of the Products, or the cost of other goods or services related to the purchase and installation of the Products. For this Limited Warranty to apply, the Products must be installed in accordance with all site conditions required by state and local codes; all other applicable laws; and StormTech’s written installation instructions.
- (G) THE LIMITED WARRANTY DOES NOT EXTEND TO INCIDENTAL, CONSEQUENTIAL, SPECIAL OR INDIRECT DAMAGES. STORMTECH SHALL NOT BE LIABLE FOR PENALTIES OR LIQUIDATED DAMAGES, INCLUDING LOSS OF PRODUCTION AND PROFITS; LABOR AND MATERIALS; OVERHEAD COSTS; OR OTHER LOSS OR EXPENSE INCURRED BY THE PURCHASER OR ANY THIRD PARTY. SPECIFICALLY EXCLUDED FROM LIMITED WARRANTY COVERAGE ARE DAMAGE TO THE PRODUCTS ARISING FROM ORDINARY WEAR AND TEAR; ALTERATION, ACCIDENT, MISUSE, ABUSE OR NEGLIGENCE; THE PRODUCTS BEING SUBJECTED TO VEHICLE TRAFFIC OR OTHER CONDITIONS WHICH ARE NOT PERMITTED BY STORMTECH’S WRITTEN SPECIFICATIONS OR INSTALLATION INSTRUCTIONS; FAILURE TO MAINTAIN THE MINIMUM GROUND COVERS SET FORTH IN THE INSTALLATION INSTRUCTIONS; THE PLACEMENT OF IMPROPER MATERIALS INTO THE PRODUCTS; FAILURE OF THE PRODUCTS DUE TO IMPROPER SITING OR IMPROPER SIZING; OR ANY OTHER EVENT NOT CAUSED BY STORMTECH. A PRODUCT ALSO IS EXCLUDED FROM LIMITED WARRANTY COVERAGE IF SUCH PRODUCT IS USED IN A PROJECT OR SYSTEM IN WHICH ANY GEOTEXTILE PRODUCTS OTHER THAN THOSE PROVIDED BY ADVANCED DRAINAGE SYSTEMS ARE USED. THIS LIMITED WARRANTY REPRESENTS STORMTECH’S SOLE LIABILITY TO THE PURCHASER FOR CLAIMS RELATED TO THE PRODUCTS, WHETHER THE CLAIM IS BASED UPON CONTRACT, TORT, OR OTHER LEGAL THEORY.





Drainage



Filtration



Separation

## ADS 0601T/O NONWOVEN GEOTEXTILE SPECIFICATION

### Scope

This specification describes ADS 0601T/O nonwoven geotextile.

### Filter Fabric Requirements

ADS 0601T/O is an orange nonwoven geotextile composed of polypropylene fibers, which are formed into a stable network such that the fibers retain their relative position. ADS 0601T/O is inert to biological degradation and resists naturally encountered chemicals, alkali and acids. ADS 0601T/O conforms to the physical property values listed below:

### Filter Fabric Properties

| Property                                  | Test Method | Unit  | Typical Value <sup>1</sup><br>MD | Typical Value <sup>1</sup><br>CD |
|---|-------------|---|----------------------------------|----------------------------------|
| Grab Tensile Strength                     | ASTM D4632  | lbs (N)   | 175 (779)                        | 175 (779)                        |
| Grab Tensile Elongation                   | ASTM D4632  | %   | 75                               | 75                               |
| Trapezoid Tear Strength                   | ASTM D4533  | lbs (N)   | 85 (378)                         | 85 (378)                         |
| CBR Puncture Strength                     | ASTM D6241  | lbs (N)   | 480 (2136)                       | 480 (2136)                       |
| Permittivity                              | ASTM D4491  | sec <sup>-1</sup>                               | 1.5                              | 1.5                              |
| Flow Rate                                 | ASTM D4491  | gal/min/ft <sup>2</sup> (l/min/m <sup>2</sup> ) | 105 (4278)                       | 105 (4278)                       |
| UV Resistance (at 500 hours) <sup>1</sup> | ASTM D4355  | % strength retained                             | 80                               | 80                               |

### Physical Properties

| Property                | Test Method | Unit                                   | Typical Value <sup>2</sup> |
|-------------------------|-------------|--|----------------------------|
| Weight                  | ASTM D5161  | oz/yd <sup>2</sup> (g/m <sup>2</sup> ) | 6.5 (220)                  |
| Thickness               | ASTM D5199  | mils (mm)                              | 65 (1.7)                   |
| Roll Dimensions (W x L) | -           | ft (m)                                 | 15 x 300 (4.5 x 91)        |
| Roll Area               | -           | yd <sup>2</sup> (m <sup>2</sup> )      | 500 (418)                  |
| Estimated Roll Weight   | -           | lb (kg)                                | 220 (100)                  |

<sup>1</sup> Modified, Minimum Test Value

<sup>2</sup> ASTM D4439 Standard Terminology for Geosynthetics: typical value, *n-for geosynthetics*, the mean value calculated from documented manufacturing quality control test results for a defined population obtained from one test method associated with on specific property.



Separation

## ADS 315W WOVEN GEOTEXTILE SPECIFICATION

### Scope

This specification describes ADS 315W woven geotextile.

### Filter Fabric Requirements

ADS 315W is manufactured using high-tenacity polypropylene yarns that are woven to form a dimensionally stable network, which allows the yarns to maintain their relative position. ADS 315W resists ultraviolet deterioration, rotting and biological degradation and is inert to commonly encountered soil chemicals. ADS 315W conforms to the physical property values listed below:

### Filter Fabric Properties

| Property                     | Test Method | Unit  | M.A.R.V.<br>(Minimum Average Roll Value) <sup>2</sup> |
|------------------------------|-------------|---|---|
| Tensile Strength (Grab)      | ASTM D4632  | lbs (N)                                     | 315 (1400)  |
| Elongation                   | ASTM D4632  | %   | 15  |
| CBR Puncture                 | ASTM D6241  | lbs (N)                                     | 900 (4005)  |
| Puncture                     | ASTM D4833  | lbs (N)                                     | 150 (667)   |
| Mullen Burst                 | ASTM D3786  | psi (kPa)                                   | 600 (4134)  |
| Trapezoidal Tear             | ASTM D4533  | lbs (N)                                     | 120 (533)   |
| UV Resistance (at 500 hours) | ASTM D4355  | %   | 70  |
| Apparent Opening Size (AOS)* | ASTM D4751  | U.S. Sieve (mm)                             | 40 (.425)   |
| Permittivity                 | ASTM D4491  | sec <sup>-1</sup>                           | .05   |
| Water Flow Rate              | ASTM D4491  | gpm/ft <sup>2</sup> (l/min/m <sup>2</sup> ) | 4 (163)   |

\* Maximum average roll value.

### Packaging

|                                   |   |
|-----------------------------------|---|
| Roll Dimensions (W x L) - ft. (m) | 12.5 x 360/ 15 x 300 / 17.5 x 258 (3.81 x 109.8/ 4.57 x 91.5 / 5.33 x 78.6) |
|-----------------------------------|---|