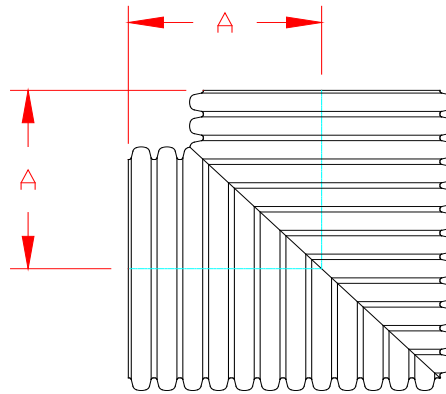


HP STORM DUAL WALL FABRICATED "SOIL TIGHT" "PLAIN END"
 90° MANIFOLD BEND 12" - 30" DIAMETER

PART #	PIPE SIZE	A
1298ANP	12 in (300 mm)	11.8 in (300 mm)
1598ANP	15 in (375 mm)	14.2 in (360 mm)
1898ANP	18 in (450 mm)	17.7 in (450 mm)
2198ANP	21 in (525 mm)	19.2 in (489 mm)
2498ANP	24 in (600 mm)	20.5 in (522 mm)
3098ANP	30 in (750 mm)	25.2 in (641 mm)



NOTE: ALL FITTINGS DIMENSIONS ARE FOR REFERENCE ONLY



DRAWING #:	13125	
DRAWN BY:	TJR	10/13/2016
APPROVED BY:		
REVISIONS:		