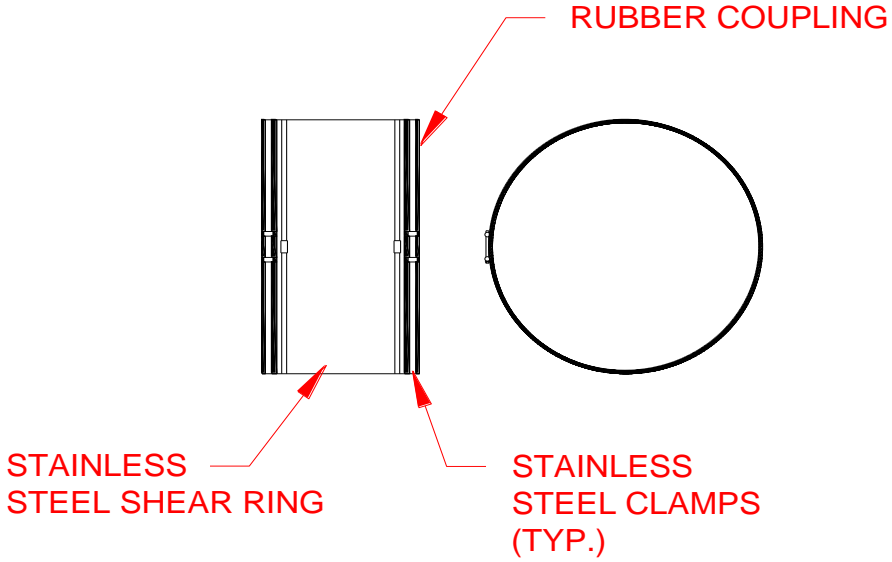


**SANITARY SEWER EXTERNAL SEALS
12" - 60" DIAMETER**

PART #	PIPE SIZE	JOINT
1267MR	12 in (300 mm)	WT
1567MR	15 in (375 mm)	WT
1867MR	18 in (450 mm)	WT
2467MR	24 in (600 mm)	WT
3067MR	30 in (750 mm)	WT
3667MR	36 in (900 mm)	WT
4267MR	42 in (1050 mm)	WT
4867MR	48 in (1200 mm)	WT
6067MR	60 in (1500 mm)	WT

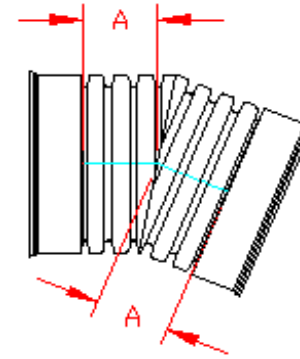


NOTE: ALL FITTINGS DIMENSIONS ARE FOR REFERENCE ONLY

	DRAWING #:	HP 14100
	DRAWN BY:	TJR 11/19/2010
	APPROVED BY:	
	REVISIONS:	

SANITITE® HP DUAL WALL FABRICATED 11.25° BENDS
12" - 24" DIAMETER (BELL\BELL)

PART #	PIPE SIZE	A	JOINT
1291AN30BP	12 in (300 mm)	4.3 in (109 mm)	WT
1591AN30BP	15 in (375 mm)	6.0 in (152 mm)	WT
1891AN30BP	18 in (450 mm)	5.8 in (147 mm)	WT
2491AN30BP	24 in (600 mm)	7.9 in (201 mm)	WT



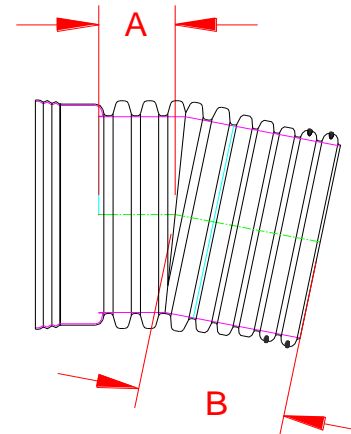
WT (INCLUDES 2 GASKETS)

NOTE: ALL FITTINGS DIMENSIONS ARE FOR REFERENCE ONLY

	DRAWING #:	HP 15000
	DRAWN BY:	TJR 10/27/2009
	APPROVED BY:	
	REVISIONS:	TJR 8/16/2010

SANITITE® HP DUAL WALL FABRICATED 11.25° BENDS
30" DIAMETER (IB BELL\IB SPIGOT)

PART #	PIPE SIZE	A	B	JOINT
3091AN30BP	30 in (750 mm)	11.1 in (282 mm)	21.5 in (546 mm)	WT



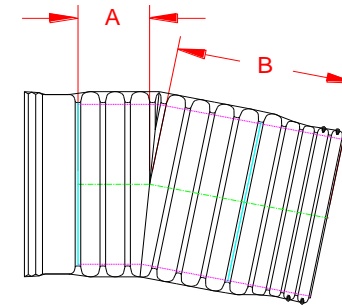
WT (INCLUDES 2 GASKETS)

NOTE: ALL FITTINGS DIMENSIONS ARE FOR REFERENCE ONLY

	DRAWING #:	HP 15050
	DRAWN BY:	TJR 8/16/2010
	APPROVED BY:	
	REVISIONS:	

**SANITITE® HP TRIPLE WALL FABRICATED 11.25° BENDS
30" - 60" DIAMETER (IB BELL\IB SPIGOT)**

PART #	PIPE SIZE	A	B	JOINT
3091AN30BPT	30 in (750 mm)	13.1 in (332 mm)	27.4 in (697 mm)	WT
3691AN30BPT	36 in (900 mm)	15.4 in (390 mm)	38.8 in (986 mm)	WT
4291AN30BPT	42 in (1200 mm)	13.9 in (353 mm)	26.1 in (664 mm)	WT
4891AN30BPT	48 in (1200 mm)	17.0 in (431 mm)	35.9 in (913 mm)	WT
6091AN30BPT	60 in (1500 mm)	18.5 in (470 mm)	47.9 in (1216 mm)	WT



WT (INCLUDES 2 GASKETS)

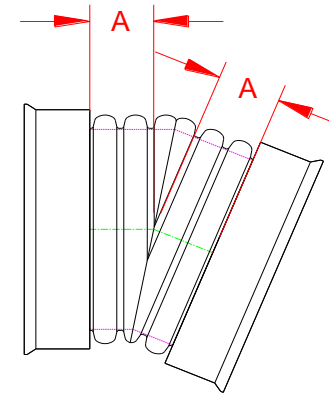
NOTE: ALL FITTINGS DIMENSIONS ARE FOR REFERENCE ONLY



DRAWING #:	HP 15100	
DRAWN BY:	TJR	10/29/2009
APPROVED BY:		
REVISIONS:	TJR	5/13/2014


SANITITE® HP DUAL WALL FABRICATED 22.5° BENDS
12" - 24" DIAMETER (BELL\BELL)

PART #	PIPE SIZE	A	JOINT
1292AN30BP	12 in (300 mm)	5.8 in (147 mm)	WT
1592AN30BP	15 in (375 mm)	5.4 in (137 mm)	WT
1892AN30BP	18 in (450 mm)	6.9 in (175 mm)	WT
2492AN30BP	24 in (600 mm)	9.5 in (241 mm)	WT



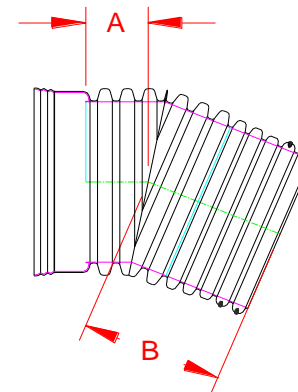
WT (INCLUDES 2 GASKETS)

NOTE: ALL FITTINGS DIMENSIONS ARE FOR REFERENCE ONLY

 <small>Advanced Drainage Systems, Inc.</small>	DRAWING #:	HP 15200
	DRAWN BY:	TJR 10/27/2009
	APPROVED BY:	
	REVISIONS:	TJR 8/16/2010

**SANITITE® HP DUAL WALL FABRICATED 22.5° BENDS
30" DIAMETER (IB BELL\IB SPIGOT)**

PART #	PIPE SIZE	A	B	JOINT
3092AN30BP	30 in (750 mm)	11.1 in (282 mm)	25.5 in (647 mm)	WT



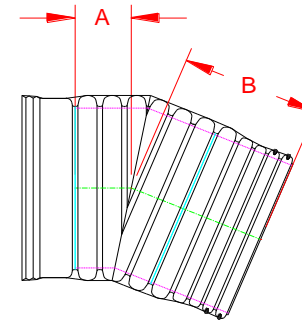
WT (INCLUDES 2 GASKETS)

NOTE: ALL FITTINGS DIMENSIONS ARE FOR REFERENCE ONLY

	DRAWING #:	HP 15250
	DRAWN BY:	TJR 8/16/2010
	APPROVED BY:	
	REVISIONS:	

**SANITITE® HP TRIPLE WALL FABRICATED 22.5° BENDS
30" - 60" DIAMETER (IB BELL\IB SPIGOT)**

PART #	PIPE SIZE	A	B	JOINT
3092AN30BPT	30 in (750 mm)	10.9 in (276 mm)	25.2 in (640 mm)	WT
3692AN30BPT	36 in (900 mm)	12.1 in (308 mm)	30.3 in (769 mm)	WT
4292AN30BPT	42 in (1050 mm)	16.2 in (412 mm)	28.5 in (723 mm)	WT
4892AN30BPT	48 in (1200 mm)	14.4 in (366 mm)	33.4 in (848 mm)	WT
6092AN30BPT	60 in (1500 mm)	15.8 in (400 mm)	39.0 in (991 mm)	WT



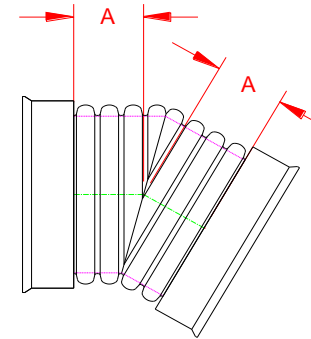
WT (INCLUDES 2 GASKETS)

NOTE: ALL FITTINGS DIMENSIONS ARE FOR REFERENCE ONLY

 Advanced Drainage Systems, Inc.	DRAWING #:	HP 15300
	DRAWN BY:	TJR 10/29/2009
	APPROVED BY:	
	REVISIONS:	TJR 8/8/2011

SANITITE® HP DUAL WALL FABRICATED 30° BENDS
12" - 24" DIAMETER (BELL\BELL)

PART #	PIPE SIZE	A	JOINT
1295AN30BP	12 in (300 mm)	5.8 in (147 mm)	WT
1595AN30BP	15 in (375 mm)	7.8 in (198 mm)	WT
1895AN30BP	18 in (450 mm)	6.7 in (170 mm)	WT
2495AN30BP	24 in (600 mm)	9.5 in (241 mm)	WT



WT (INCLUDES 2 GASKETS)

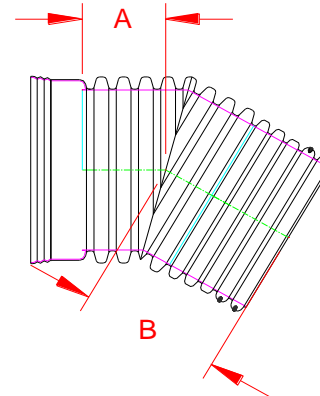
NOTE: ALL FITTINGS DIMENSIONS ARE FOR REFERENCE ONLY



DRAWING #:	HP 15400	
DRAWN BY:	TJR	10/27/2009
APPROVED BY:		
REVISIONS:	TJR	8/16/2010

**SANITITE® HP DUAL WALL FABRICATED 30° BENDS
30" DIAMETER (IB BELL\IB SPIGOT)**

PART #	PIPE SIZE	A	B	JOINT
3095AN30BP	30 in (750 mm)	14.9 in (379 mm)	25.3 in (643 mm)	WT



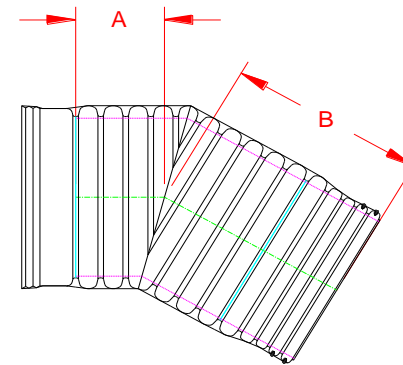
WT (INCLUDES 2 GASKETS)

NOTE: ALL FITTINGS DIMENSIONS ARE FOR REFERENCE ONLY

	DRAWING #:	HP 15450
	DRAWN BY:	TJR 8/16/2010
	APPROVED BY:	
	REVISIONS:	


SANITITE® HP TRIPLE WALL FABRICATED 30° BENDS
30" - 60" DIAMETER (IB BELL\IB SPIGOT)

PART #	PIPE SIZE	A	B	JOINT
3095AN30BPT	30 in (750 mm)	16.0 in (407 mm)	30.4 in (772 mm)	WT
3695AN30BPT	36 in (900 mm)	18.9 in (480 mm)	42.4 in (1076 mm)	WT
4295AN30BPT	42 in (1050 mm)	17.8 in (453 mm)	30.1 in (763 mm)	WT
4895AN30BPT	48 in (1200 mm)	22.8 in (579 mm)	41.8 in (1061 mm)	WT
6095AN30BPT	60 in (1500 mm)	24.1 in (613 mm)	53.5 in (1359 mm)	WT



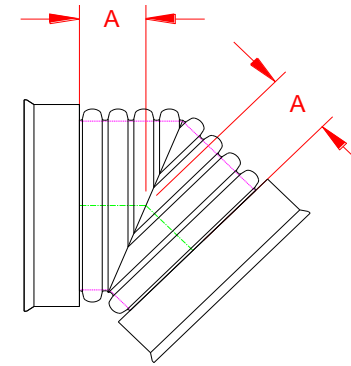
WT (INCLUDES 2 GASKETS)

NOTE: ALL FITTINGS DIMENSIONS ARE FOR REFERENCE ONLY

 <small>Advanced Drainage Systems, Inc.</small>	DRAWING #:	HP 15500
	DRAWN BY:	TJR 10/29/2009
	APPROVED BY:	
	REVISIONS:	TJR 8/8/2011

SANITITE® HP DUAL WALL FABRICATED 45° BENDS
12" - 24" DIAMETER (BELL\BELL)

PART #	PIPE SIZE	A	JOINT
1297AN30BP	12 in (300 mm)	5.8 in (147 mm)	WT
1597AN30BP	15 in (375 mm)	7.8 in (198 mm)	WT
1897AN30BP	18 in (450 mm)	6.7 in (170 mm)	WT
2497AN30BP	24 in (600 mm)	9.5 in (241 mm)	WT



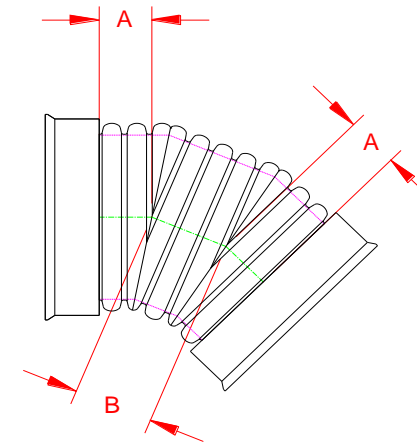
WT (INCLUDES 2 GASKETS)

NOTE: ALL FITTINGS DIMENSIONS ARE FOR REFERENCE ONLY

	DRAWING #:	HP 15550	
	DRAWN BY:	TJR	2/8/2010
	APPROVED BY:		
	REVISIONS:	TJR	8/16/2010


SANITITE® HP DUAL WALL FABRICATED SWEEPING 45° BENDS
12" - 24" DIAMETER (BELL\BELL)

PART #	PIPE SIZE	A	B	JOINT
1294AN30BP	12 in (300 mm)	5.7 in (144 mm)	7.7 in (196 mm)	WT
1594AN30BP	15 in (375 mm)	5.2 in (133 mm)	7.9 in (200 mm)	WT
1894AN30BP	18 in (450 mm)	6.4 in (162 mm)	10.1 in (257 mm)	WT
2494AN30BP	24 in (600 mm)	9.4 in (238 mm)	12.4 in (314 mm)	WT



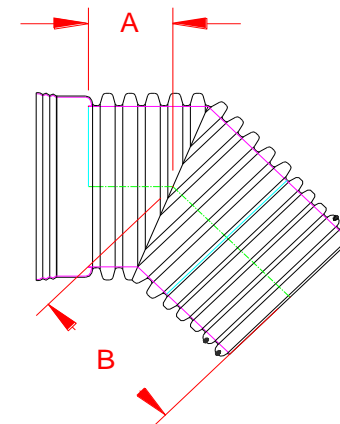
WT (INCLUDES 2 GASKETS)

NOTE: ALL FITTINGS DIMENSIONS ARE FOR REFERENCE ONLY

	DRAWING #:	HP 15600
	DRAWN BY:	TJR 10/27/2009
	APPROVED BY:	
	REVISIONS:	TJR 8/16/2010

**SANITITE® HP DUAL WALL FABRICATED 45° BENDS
30" DIAMETER (IB BELL\IB SPIGOT)**

PART #	PIPE SIZE	A	B	JOINT
3097AN30BP	30 in (750 mm)	14.9 in (379 mm)	29.3 in (743 mm)	WT



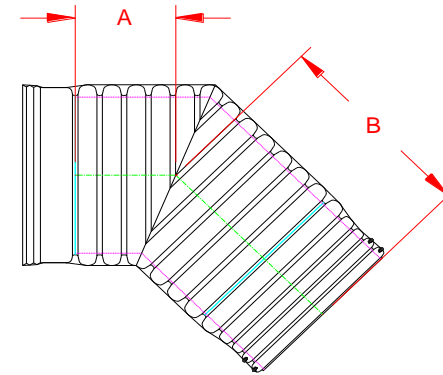
WT (INCLUDES 2 GASKETS)

NOTE: ALL FITTINGS DIMENSIONS ARE FOR REFERENCE ONLY

	DRAWING #:	HP 15625
	DRAWN BY:	TJR 8/26/2013
	APPROVED BY:	
	REVISIONS:	

SANITITE® HP TRIPLE WALL FABRICATED 45° BENDS
30" - 60" DIAMETER (IB BELL\IB SPIGOT)

PART #	PIPE SIZE	A	B	JOINT
3097AN30BPT	30 in (750 mm)	18.6 in (472 mm)	32.9 in (837 mm)	WT
3697AN30BPT	36 in (900 mm)	22.0 in (558 mm)	45.4 in (1153 mm)	WT
4297AN30BPT	42 in (1050 mm)	19.8 in (504 mm)	32.1 in (814 mm)	WT
4897AN30BPT	48 in (1200 mm)	25.4 in (645 mm)	44.4 in (1128 mm)	WT
6097AN30BPT	60 in (1500 mm)	29.0 in (736 mm)	58.4 in (1483 mm)	WT



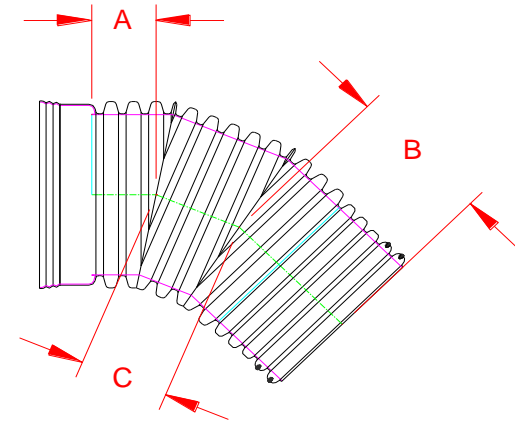
WT (INCLUDES 2 GASKETS)

NOTE: ALL FITTINGS DIMENSIONS ARE FOR REFERENCE ONLY

 Advanced Drainage Systems, Inc.	DRAWING #:	HP 15650	
	DRAWN BY:	TJR	2/8/2010
	APPROVED BY:		
	REVISIONS:	TJR	8/8/2011


**SANITITE® HP DUAL WALL FABRICATED SWEEPING 45° BENDS
30" DIAMETER (IB BELL\IB SPIGOT)**

PART #	PIPE SIZE	A	B	C	JOINT
3094AN30BP	30 in (750 mm)	11.4 in (288 mm)	25.7 in (653 mm)	15.9 in (404 mm)	WT



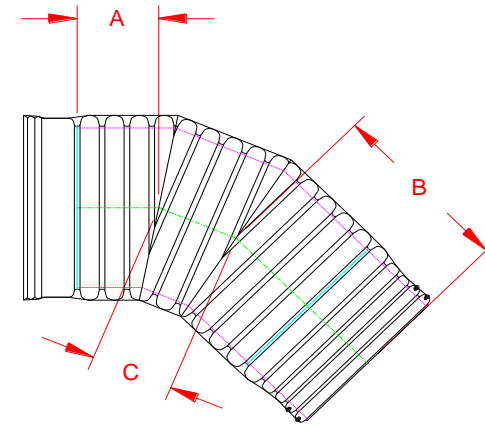
WT (INCLUDES 2 GASKETS)

NOTE: ALL FITTINGS DIMENSIONS ARE FOR REFERENCE ONLY

 <small>Advanced Drainage Systems, Inc.</small>	DRAWING #:	HP 15675
	DRAWN BY:	TJR 8/16/2010
	APPROVED BY:	
	REVISIONS:	TJR 2/17/2014

SANITITE® HP TRIPLE WALL FABRICATED SWEEPING 45° BENDS
30" - 60" DIAMETER (IB BELL\IB SPIGOT)

PART #	PIPE SIZE	A	B	C	JOINT
3094AN30BPT	30 in (750 mm)	15.3 in (389 mm)	29.7 in (754 mm)	15.9 in (404 mm)	WT
3694AN30BPT	36 in (900 mm)	17.5 in (444 mm)	39.9 in (1013 mm)	17.9 in (455 mm)	WT
4294AN30BPT	42 in (1050 mm)	16.2 in (412 mm)	28.5 in (723 mm)	17.6 in (447 mm)	WT
4894AN30BPT	48 in (1200 mm)	19.6 in (499 mm)	40.0 in (1015 mm)	22.5 in (571 mm)	WT
6094AN30BPT	60 in (1500 mm)	27.9 in (709 mm)	51.2 in (1301 mm)	25.4 in (645 mm)	WT



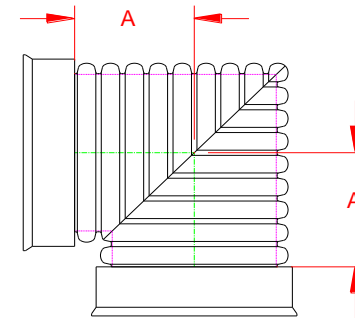
WT (INCLUDES 2 GASKETS)

NOTE: ALL FITTINGS DIMENSIONS ARE FOR REFERENCE ONLY

	DRAWING #:	HP 15700
	DRAWN BY:	TJR 10/29/2009
	APPROVED BY:	
	REVISIONS:	TJR 2/17/2014

SANITITE® HP DUAL WALL FABRICATED 90° BENDS
12" - 24" DIAMETER (BELL\BELL)

PART #	PIPE SIZE	A	JOINT
1298AN30BP	12 in (300 mm)	10.8 in (274 mm)	WT
1598AN30BP	15 in (375 mm)	11.8 in (300 mm)	WT
1898AN30BP	18 in (450 mm)	14.7 in (373 mm)	WT
2498AN30BP	24 in (600 mm)	17.7 in (450 mm)	WT



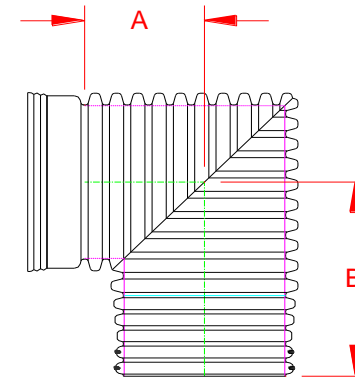
WT (INCLUDES 2 GASKETS)

NOTE: ALL FITTINGS DIMENSIONS ARE FOR REFERENCE ONLY

 Advanced Drainage Systems, Inc.	DRAWING #:	HP 15750
	DRAWN BY:	TJR 8/19/2010
	APPROVED BY:	
	REVISIONS:	TJR 3/1/2012

**SANITITE® HP DUAL WALL FABRICATED 90° BENDS
30" DIAMETER (IB BELL/IB SPIGOT)**

PART #	PIPE SIZE	A	B	JOINT
3098AN30BP	30 in (750 mm)	23.8 in (605 mm)	38.2 in (969 mm)	WT



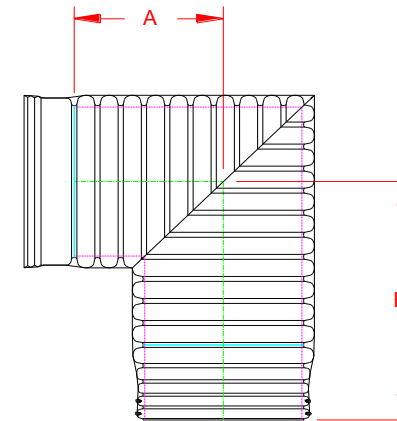
WT (INCLUDES 2 GASKET)

NOTE: ALL FITTINGS DIMENSIONS ARE FOR REFERENCE ONLY

 Advanced Drainage Systems, Inc.	DRAWING #:	HP 15800	
	DRAWN BY:	TJR	8/19/2010
	APPROVED BY:		
	REVISIONS:	TJR	3/1/2012

SANITITE® HP TRIPLE WALL FABRICATED 90° BENDS
30" - 60" DIAMETER (IB BELL\IB SPIGOT)

PART #	PIPE SIZE	A	B	JOINT
3098AN30BPT	30 in (750 mm)	28.8 in (732 mm)	43.2 in (1096 mm)	WT
3698AN30BPT	36 in (900 mm)	34.2 in (868 mm)	57.6 in (1463 mm)	WT
4298AN30BPT	42 in (1050 mm)	34.8 in (884 mm)	47.0 in (1194 mm)	WT
4898AN30BPT	48 in (1200 mm)	41.1 in (1044 mm)	54.9 in (1394 mm)	WT
6098AN30BPT	60 in (1500 mm)	46.2 in (1173 mm)	69.5 in (1764 mm)	WT



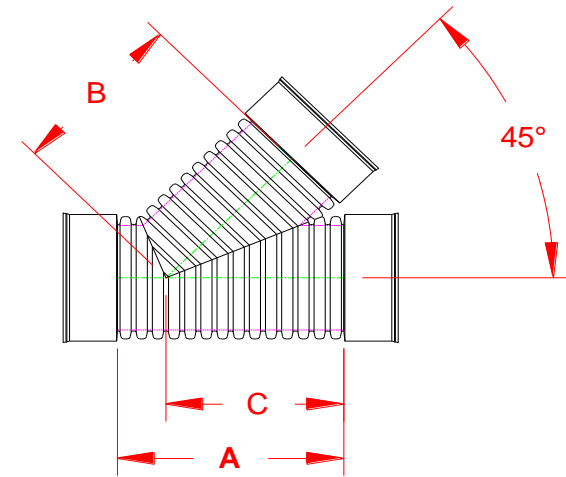
WT (INCLUDES 2 GASKETS)

NOTE: ALL FITTINGS DIMENSIONS ARE FOR REFERENCE ONLY

	DRAWING #:	HP 15850	
	DRAWN BY:	TJR	8/19/2010
	APPROVED BY:		
	REVISIONS:	TJR	8/8/2011

SANITITE® HP DUAL WALL FABRICATED 45° WYES
12" - 18" DIAMETER (BELL\BELL)

PART #	PIPE SIZE	A	B	C	JOINT
1284AN30BP	12 in (300 mm)	27.4 in (696 mm)	21.6 in (549 mm)	21.6 in (549 mm)	WT
1585AN30BP	15 in (375 mm)	34.1 in (865 mm)	26.2 in (665 mm)	26.2 in (665 mm)	WT
1886AN30BP	18 in (450 mm)	37.0 in (940 mm)	29.1 in (738 mm)	29.1 in (738 mm)	WT



WT (INCLUDES 3 GASKETS)

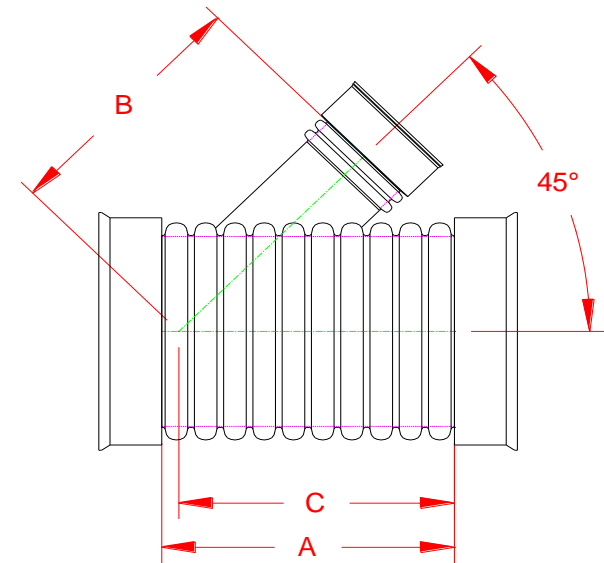
NOTE: ALL FITTINGS DIMENSIONS ARE FOR REFERENCE ONLY



DRAWING #:	HP 16000	
DRAWN BY:	TJR	10/27/2009
APPROVED BY:		
REVISIONS:	TJR	3/24/2016

SANITITE® HP DUAL WALL FABRICATED REDUCING 45° WYES
15" X 12" - 24" X 12" DIAMETER (BELLBELL)

PART #	PIPE SIZE	A	B	C	JOINT
1584AN30BP	15 x 12 in (375 x 300 mm)	36.7 in (932 mm)	27.8 in (706 mm)	26.9 in (683 mm)	WT
1884AN30BP	18 x 12 in (450 x 300 mm)	37.0 in (940 mm)	30.4 in (772 mm)	29.4 in (747 mm)	WT
1885AN30BP	18 x 15 in (450 x 375 mm)	42.3 in (1074 mm)	35.7 in (907 mm)	32.0 in (813 mm)	WT
2484AN30BP	24 x 12 in (600 x 300 mm)	41.3 in (1050 mm)	35.0 in (889 mm)	34.4 in (874 mm)	WT



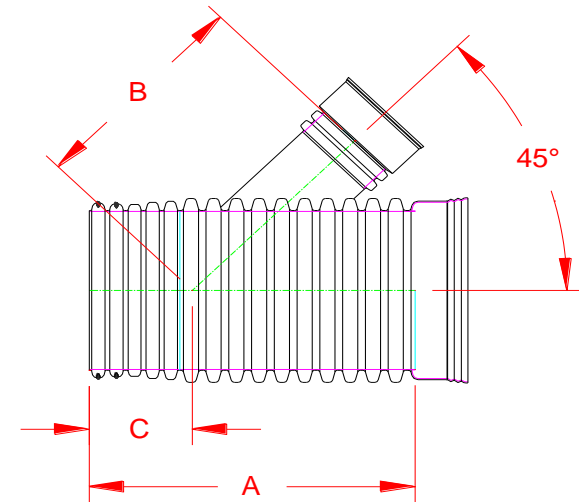
WT (INCLUDES 3 GASKETS)

NOTE: ALL FITTINGS DIMENSIONS ARE FOR REFERENCE ONLY

	DRAWING #:	HP 16100
	DRAWN BY:	TJR 10/27/2009
	APPROVED BY:	
	REVISIONS:	TJR 8/16/2010


SANITITE® HP DUAL WALL FABRICATED REDUCING 45° WYES
30" x 12" - 30" x 15" DIAMETER (IB BELL\IB SPIGOT\BELL)

PART #	PIPE SIZE	A	B	C	JOINT
3084AN30BP	30 x 12 in (750x 300 mm)	53.0 in (1346 mm)	39.4 in (1000 mm)	15.2 in (387 mm)	WT
3085AN30BP	30 x 15 in (750 x 375 mm)	57.0 in (1447 mm)	40.1 in (1020 mm)	18.0 in (458 mm)	WT



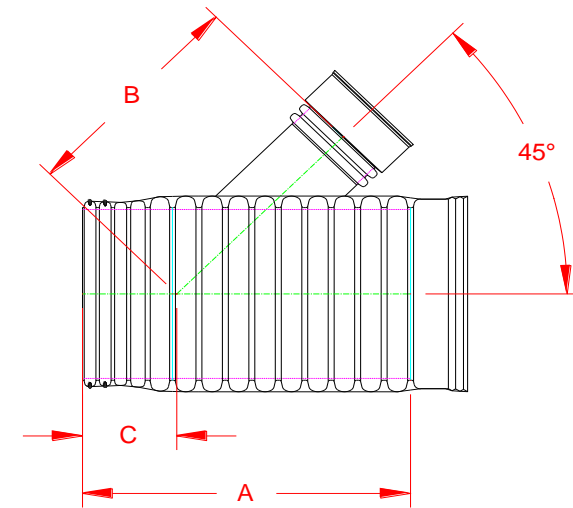
WT (INCLUDES 3 GASKETS)

NOTE: ALL FITTINGS DIMENSIONS ARE FOR REFERENCE ONLY

	DRAWING #:	HP 16150
	DRAWN BY:	TJR 8/16/2010
	APPROVED BY:	
	REVISIONS:	

SANITITE® HP TRIPLE WALL FABRICATED REDUCING 45° WYES
30" x 12" - 42" x 24" DIAMETER (IB BELL\IB SPIGOT\BELL)

PART #	PIPE SIZE	A	B	C	JOINT
3084AN30BPT	30 x 12 in (750x 300 mm)	53.0 in (1346 mm)	39.4 in (1000 mm)	15.6 in (395 mm)	WT
3085AN30BPT	30 x 15 in (750 x 375 mm)	57.0 in (1447 mm)	40.1 in (1020 mm)	19.3 in (491 mm)	WT
3684AN30BPT	36 x 12 in (900x 300 mm)	55.4 in (1407 mm)	45.2 in (1148 mm)	18.0 in (458 mm)	WT
3685AN30BPT	36 x 15 in (900 x 375 mm)	60.7 in (1543 mm)	45.3 in (1151 mm)	20.5 in (520 mm)	WT
3686AN30BPT	36 x 18 in (900 x 450mm)	66.1 in (1678 mm)	47.3 in (1202 mm)	19.0 in (482 mm)	WT
4284AN30BPT	42 x 12 in (1050 x 300 mm)	52.2 in (1326 mm)	48.5 in (1231 mm)	9.8 in (249 mm)	WT
4285AN30BPT	42 x 15 in (1050 x 375 mm)	56.4 in (1432 mm)	48.6 in (1235 mm)	11.9 in (301 mm)	WT
4286AN30BPT	42 x 18 in (1050 x 450 mm)	60.6 in (1539 mm)	50.6 in (1285 mm)	14.1 in (357 mm)	WT
4287AN30BPT	42 x 24 in (1050 x 600 mm)	69.0 in (1752 mm)	54.1 in (1374 mm)	18.3 in (465 mm)	WT



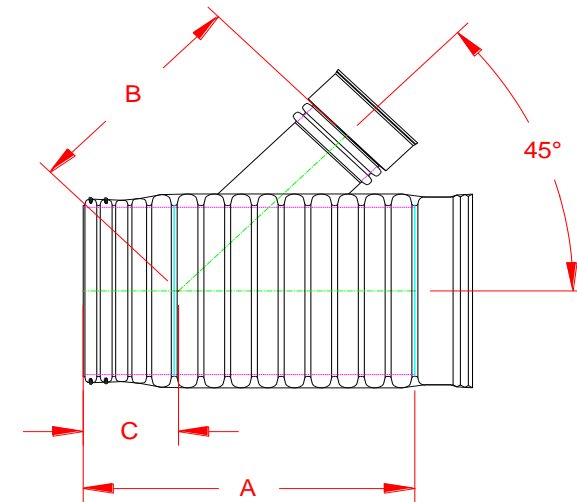
WT (INCLUDES 3 GASKETS)

NOTE: ALL FITTINGS DIMENSIONS ARE FOR REFERENCE ONLY

 Advanced Drainage Systems, Inc.™	DRAWING #:	HP 16200
	DRAWN BY:	TJR 10/29/2009
	APPROVED BY:	
	REVISIONS:	TJR 8/8/2011


SANITITE® HP TRIPLE WALL FABRICATED REDUCING 45° WYES
48" x 12" - 60" x 24" DIAMETER (IB BELL\IB SPIGOT\BELL)

PART #	PIPE SIZE	A	B	C	JOINT
4884AN30BPT	48 x 12 in (1200 x 300 mm)	63.3 in (1608 mm)	53.3 in (1353 mm)	15.5 in (393 mm)	WT
4885AN30BPT	48 x 15 in (1200 x 375 mm)	63.3 in (1608 mm)	53.4 in (1356 mm)	12.9 in (327 mm)	WT
4886AN30BPT	48 x 18 in (1200 x 450 mm)	68.5 in (1741 mm)	55.7 in (1416 mm)	15.4 in (391 mm)	WT
4887AN30BPT	48 x 24 in (1200 x 600 mm)	79.0 in (2007 mm)	60.0 in (1525 mm)	19.5 in (495 mm)	WT
6084AN30BPT	60 x 12 in (1500 x 300 mm)	72.0 in (1829 mm)	62.5 in (1587 mm)	15.5 in (394 mm)	WT
6085AN30BPT	60 x 15 in (1500 x 375 mm)	78.1 in (1983 mm)	62.5 in (1587 mm)	18.5 in (470 mm)	WT
6086AN30BPT	60 x 18 in (1500 x 450 mm)	78.1 in (1983 mm)	64.8 in (1647 mm)	18.5 in (470 mm)	WT
6087AN30BPT	60 x 24 in (1500 x 600 mm)	90.3 in (2293 mm)	69.1 in (1756 mm)	24.5 in (623 mm)	WT



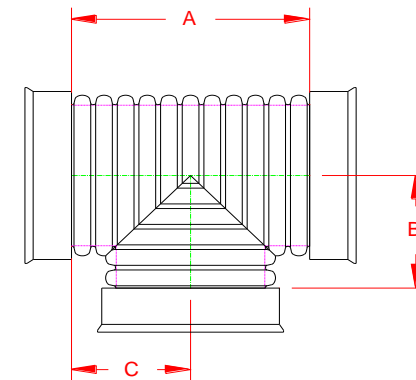
WT (INCLUDES 3 GASKETS)

NOTE: ALL FITTINGS DIMENSIONS ARE FOR REFERENCE ONLY

	DRAWING #:	HP 16300	
	DRAWN BY:	TJR	10/29/2009
	APPROVED BY:		
	REVISIONS:	TJR	8/8/2011

SANITITE® HP DUAL WALL FABRICATED TEES
12" - 24" DIAMETER (BELL\BELL)

PART #	PIPE SIZE	A	B	C	JOINT
1264AN30BP	12 in (300 mm)	21.6 in (548 mm)	10.8 in (274 mm)	10.8 in (274 mm)	WT
1565AN30BP	15 in (375 mm)	26.2 in (665 mm)	13.1 in (333 mm)	13.1 in (333 mm)	WT
1866AN30BP	18 in (450 mm)	26.4 in (671 mm)	13.2 in (335 mm)	13.2 in (336 mm)	WT
2467AN30BP	24 in (600 mm)	38.2 in (969 mm)	19.1 in (485 mm)	19.1 in (485 mm)	WT



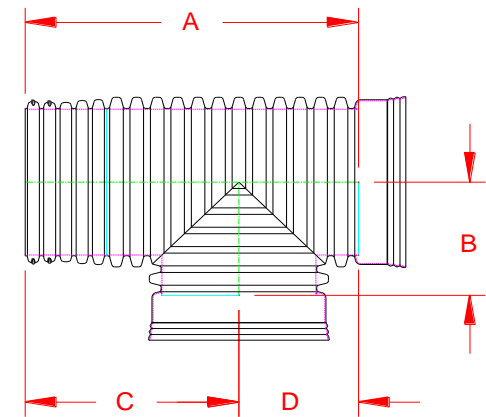
WT (INCLUDES 3 GASKETS)

NOTE: ALL FITTINGS DIMENSIONS ARE FOR REFERENCE ONLY

	DRAWING #:	HP 17000
	DRAWN BY:	TJR 10/27/2009
	APPROVED BY:	
	REVISIONS:	TJR 3/24/2016


**SANITITE® HP DUAL WALL FABRICATED TEES
30" DIAMETER (IB BELL\IB BELL\ SPIGOT)**

PART #	PIPE SIZE	A	B	C	D	JOINT
3068AN30BP	30 in (750 mm)	64.9 in (1649 mm)	25.3 in (642 mm)	39.6 in (1007 mm)	25.3 in (642 mm)	WT



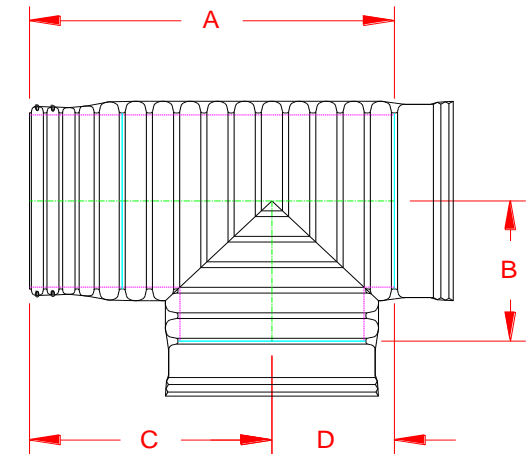
WT (INCLUDES 2 GASKETS)

NOTE: ALL FITTINGS DIMENSIONS ARE FOR REFERENCE ONLY

 <small>Advanced Drainage Systems, Inc.</small>	DRAWING #:	HP 17050
	DRAWN BY:	TJR 8/18/2010
	APPROVED BY:	
	REVISIONS:	TJR 3/24/2016

SANITITE® HP TRIPLE WALL FABRICATED TEES
30" - 60" DIAMETER (IB BELL\IB BELL\ SPIGOT)

PART #	PIPE SIZE	A	B	C	D	JOINT
3068AN30BPT	30 in (750 mm)	65.1 in (1652 mm)	25.3 in (643 mm)	39.2 in (996 mm)	25.3 in (643 mm)	WT
3669AN30BPT	36 in (900 mm)	71.4 in (1813 mm)	26.6 in (676 mm)	44.8 in (1137 mm)	26.6 in (677 mm)	WT
4251AN30BPT	42 in (1050 mm)	69.0 in (1754 mm)	28.4 in (721 mm)	40.6 in (1032 mm)	28.4 in (722 mm)	WT
4851AN30BPT	48 in (1200 mm)	84.2 in (2140 mm)	32.6 in (828 mm)	51.6 in (1311 mm)	32.6 in (829 mm)	WT
6051AN30BPT	60 in (1500 mm)	108.5 in (2757 mm)	39.6 in (1006 mm)	69.0 in (1752 mm)	39.6 in (1005 mm)	WT



WT (INCLUDES 2 GASKETS)

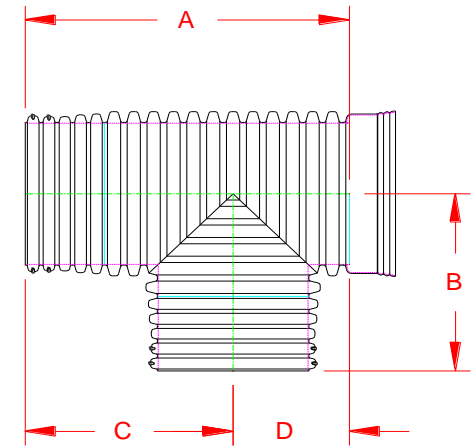
NOTE: ALL FITTINGS DIMENSIONS ARE FOR REFERENCE ONLY



DRAWING #:	HP 17100	
DRAWN BY:	TJR	10/27/2009
APPROVED BY:		
REVISIONS:	TJR	3/24/2016

SANITITE® HP DUAL WALL FABRICATED TEES
 30" DIAMETER (IB BELL\IB SPIGOT\IB SPIGOT)

PART #	PIPE SIZE	A	B	C	D	JOINT
3068AN30GP	30 in (750 mm)	64.9 in (1649 mm)	39.6 in (1007 mm)	39.6 in (1007 mm)	25.3 in (642 mm)	WT



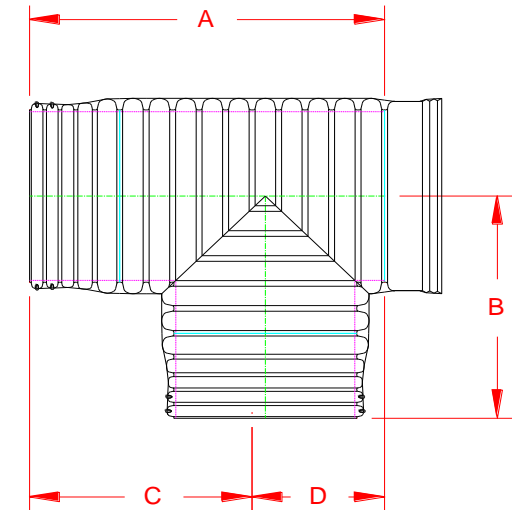
WT (INCLUDES 4 GASKETS)

NOTE: ALL FITTINGS DIMENSIONS ARE FOR REFERENCE ONLY

 Advanced Drainage Systems, Inc.	DRAWING #:	HP 17150
	DRAWN BY:	TJR 8/18/2010
	APPROVED BY:	
	REVISIONS:	TJR 3/24/2016

**SANITITE® HP TRIPLE WALL FABRICATED TEES
30" - 60" DIAMETER (IB BELL\IB SPIGOT\IB SPIGOT)**

PART #	PIPE SIZE	A	B	C	D	JOINT
3068AN30GPT	30 in (750 mm)	65.1 in (1652 mm)	39.2 in (995 mm)	39.2 in (996 mm)	25.3 in (643 mm)	WT
3669AN30GPT	36 in (900 mm)	71.4 in (1813 mm)	44.8 in (1138 mm)	44.8 in (1137 mm)	26.6 in (677 mm)	WT
4251AN30GPT	42 in (1050 mm)	69.0 in (1754 mm)	42.7 in (1085 mm)	40.6 in (1032 mm)	28.4 in (722 mm)	WT
4851AN30GPT	48 in (1200 mm)	84.2 in (2140 mm)	51.6 in (1311 mm)	51.6 in (1311 mm)	32.6 in (829 mm)	WT
6051AN30GPT	60 in (1500 mm)	108.5 in (2757 mm)	69.0 in (1753 mm)	69.0 in (1752 mm)	39.6 in (1005 mm)	WT



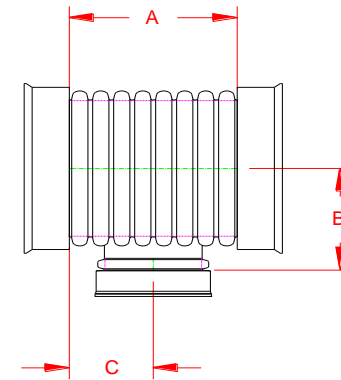
WT (INCLUDES 4 GASKETS)

NOTE: ALL FITTINGS DIMENSIONS ARE FOR REFERENCE ONLY

	DRAWING #:	HP 17200
	DRAWN BY:	TJR 10/27/2009
	APPROVED BY:	
	REVISIONS:	TJR 3/24/2016

SANITITE® HP DUAL WALL FABRICATED REDUCING TEES
15" X 12" - 24" X 18" DIAMETER (BELLBELL)

PART #	PIPE SIZE	A	B	C	JOINT
1564AN30BP	15 x 12 in (375 x 300 mm)	26.2 in (665 mm)	14.1 in (358 mm)	13.1 in (333 mm)	WT
1864AN30BP	18 x 12 in (450 x 300 mm)	26.4 in (671 mm)	15.5 in (394 mm)	13.2 in (336 mm)	WT
1865AN30BP	18 x 15 in (450 x 375 mm)	29.1 in (738 mm)	17.6 in (447 mm)	14.5 in (369 mm)	WT
2464AN30BP	24 x 12 in (600 x 300 mm)	28.6 in (727 mm)	19.3 in (490 mm)	14.3 in (363 mm)	WT
2465AN30BP	24 x 15 in (600 x 375 mm)	31.8 in (808 mm)	21.4 in (544 mm)	15.9 in (404 mm)	WT
2466AN30BP	24 x 18 in (600 x 450 mm)	35.0 in (888 mm)	21.2 in (538 mm)	17.5 in (444 mm)	WT



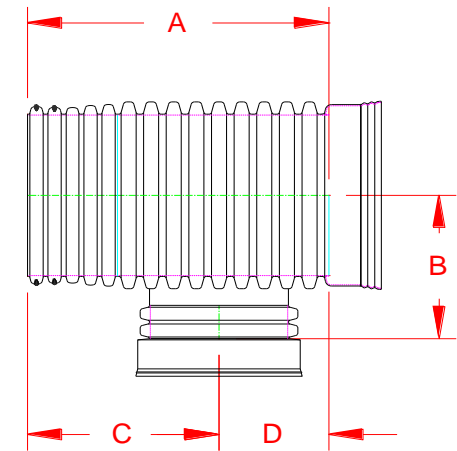
WT (INCLUDES 3 GASKETS)

NOTE: ALL FITTINGS DIMENSIONS ARE FOR REFERENCE ONLY

	DRAWING #:	HP 17300	
	DRAWN BY:	TJR	10/27/2009
	APPROVED BY:		
	REVISIONS:	TJR	8/18/2010

SANITITE® HP DUAL WALL FABRICATED REDUCING TEE
30" x 12" - 30" x 24" DIAMETER (IB BELL\IB SPIGOT\BELL)

PART #	PIPE SIZE	A	B	C	D	JOINT
3064AN30BP	30 x 12 in (750x 300 mm)	41.1 in (1043 mm)	22.9 in (582 mm)	27.7 in (704 mm)	13.4 in (339 mm)	WT
3065AN30BP	30 x 15 in (750 x 375 mm)	45.0 in (1144 mm)	25.0 in (634 mm)	29.7 in (754 mm)	15.3 in (390 mm)	WT
3066AN30BP	30 x 18 in (750 x 450mm)	49.0 in (1245 mm)	24.8 in (630 mm)	31.7 in (805 mm)	17.3 in (440 mm)	WT
3067AN30BP	30 x 24 in (750 x 600 mm)	53.0 in (1346 mm)	26.8 in (681 mm)	33.7 in (855 mm)	19.3 in (491 mm)	WT



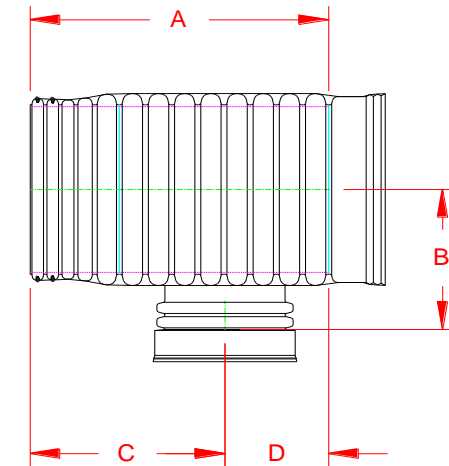
WT (INCLUDES 3 GASKETS)

NOTE: ALL FITTINGS DIMENSIONS ARE FOR REFERENCE ONLY

 Advanced Drainage Systems, Inc.	DRAWING #:	HP 17350	
	DRAWN BY:	TJR	8/18/2010
	APPROVED BY:		
	REVISIONS:		

SANITITE® HP TRIPLE WALL FABRICATED REDUCING TEE
30" x 12" - 42" x 24" DIAMETER (IB BELL\IB SPIGOT\BELL)

PART #	PIPE SIZE	A	B	C	D	JOINT
3064AN30BPT	30 x 12 in (750x 300 mm)	46.2 in (1173 mm)	22.9 in (582 mm)	31.6 in (804 mm)	13.4 in (340 mm)	WT
3065AN30BPT	30 x 15 in (750 x 375 mm)	50.0 in (1269 mm)	25.0 in (634 mm)	33.8 in (858 mm)	15.2 in (387 mm)	WT
3066AN30BPT	30 x 18 in (750 x 450mm)	51.6 in (1310 mm)	25.0 in (635 mm)	35.7 in (907 mm)	17.3 in (439 mm)	WT
3067AN30BPT	30 x 24 in (750 x 600 mm)	55.6 in (1411 mm)	26.9 in (682 mm)	37.7 in (958 mm)	19.3 in (489 mm)	WT
3664AN30BPT	36 x 12 in (900x 300 mm)	44.8 in (1137 mm)	26.5 in (672 mm)	31.4 in (799 mm)	13.3 in (338 mm)	WT
3665AN30BPT	36 x 15 in (900 x 375 mm)	50.1 in (1272 mm)	28.5 in (724 mm)	34.2 in (869 mm)	15.9 in (403 mm)	WT
3666AN30BPT	36 x 18 in (900 x 450mm)	55.4 in (1407 mm)	25.6 in (649 mm)	36.9 in (938 mm)	18.5 in (470 mm)	WT
3667AN30BPT	36 x 24 in (900 x 600 mm)	60.7 in (1543 mm)	30.4 in (772 mm)	39.6 in (1007 mm)	21.1 in (536 mm)	WT
4264AN30BPT	42 x 12 in (1050 x 300 mm)	35.5 in (901 mm)	28.8 in (731 mm)	24.4 in (620 mm)	11.1 in (281 mm)	WT
4265AN30BPT	42 x 15 in (1050 x 375 mm)	43.9 in (1114 mm)	30.8 in (783 mm)	28.6 in (726 mm)	15.3 in (387 mm)	WT
4266AN30BPT	42 x 18 in (1050 x 450 mm)	43.9 in (1114 mm)	30.9 in (784 mm)	28.6 in (726 mm)	15.3 in (387 mm)	WT
4267AN30BPT	42 x 24 in (1050 x 600 mm)	52.3 in (1327 mm)	32.7 in (831 mm)	32.8 in (833 mm)	19.5 in (494 mm)	WT



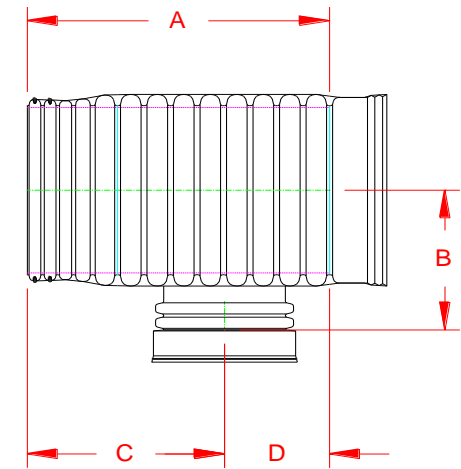
WT (INCLUDES 3 GASKETS)

NOTE: ALL FITTINGS DIMENSIONS ARE FOR REFERENCE ONLY

 Advanced Drainage Systems, Inc.	DRAWING #:	HP 17400
	DRAWN BY:	TJR 10/27/2009
	APPROVED BY:	
	REVISIONS:	TJR 8/8/2011

SANITITE® HP TRIPLE WALL FABRICATED REDUCING TEE
48" x 12" - 60" x 24" DIAMETER (IB BELL\IB SPIGOT\BELL)

PART #	PIPE SIZE	A	B	C	D	JOINT
4864AN30BPT	48 x 12 in (1200 x 300 mm)	47.6 in (1209 mm)	32.3 in (820 mm)	33.3 in (846 mm)	14.3 in (363 mm)	WT
4865AN30BPT	48 x 15 in (1200 x 375 mm)	52.9 in (1342 mm)	34.4 in (872 mm)	33.3 in (846 mm)	16.9 in (430 mm)	WT
4866AN30BPT	48 x 18 in (1200 x 450 mm)	58.1 in (1475 mm)	34.4 in (873 mm)	35.9 in (912 mm)	19.5 in (496 mm)	WT
4867AN30BPT	48 x 24 in (1200 x 600 mm)	63.3 in (1608 mm)	36.2 in (920 mm)	41.2 in (1045 mm)	22.2 in (563 mm)	WT
6064AN30BPT	60 x 12 in (1500 x 300 mm)	59.8 in (1519 mm)	38.8 in (985 mm)	44.7 in (1135 mm)	15.1 in (384 mm)	WT
6065AN30BPT	60 x 15 in (1500 x 375 mm)	59.8 in (1519 mm)	40.9 in (1040 mm)	44.8 in (1137 mm)	15.0 in (382 mm)	WT
6066AN30BPT	60 x 18 in (1500 x 450 mm)	65.9 in (1674 mm)	41.0 in (1041 mm)	47.9 in (1216 mm)	18.0 in (458 mm)	WT
6067AN30BPT	60 x 24 in (1500 x 600 mm)	72.0 in (1829 mm)	42.8 in (1088 mm)	51.0 in (1294 mm)	21.0 in (534 mm)	WT



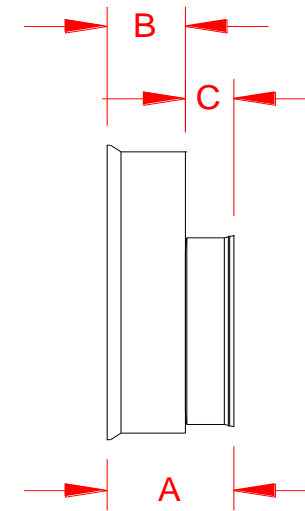
WT (INCLUDES 3 GASKETS)

NOTE: ALL FITTINGS DIMENSIONS ARE FOR REFERENCE ONLY

 Advanced Drainage Systems, Inc.	DRAWING #:	HP 17500
	DRAWN BY:	TJR 10/27/2009
	APPROVED BY:	
	REVISIONS:	TJR 8/8/2011

SANITITE® HP DUAL WALL FABRICATED REDUCERS
15" x 12" - 24" x 18" DIAMETER (BELL\BELL)

PART #	PIPE SIZE	A	B	C	JOINT
1574AN30BP	15 x 12 in (375x 300 mm)	14.3 in (362 mm)	7.8 in (197 mm)	6.5 in (165 mm)	WT
1874AN30BP	18 x 12 in (450 x 300 mm)	15.4 in (391 mm)	8.9 in (226 mm)	6.5 in (165 mm)	WT
1875AN30BP	18 x 15 in (450 x 375mm)	16.6 in (422 mm)	8.9 in (2131 mm)	7.8 in (197 mm)	WT
2474AN30BP	24 x 12 in (600 x 300 mm)	13.5 in (343 mm)	7.0 in (178 mm)	6.5 in (165 mm)	WT
2475AN30BP	24 x 15 in (600 x 375 mm)	14.8 in (375 mm)	7.0 in (178 mm)	7.8 in (197 mm)	WT
2476AN30BP	24 x 18 in (600 x 450 mm)	15.9 in (403 mm)	7.0 in (178 mm)	8.9 in (226 mm)	WT



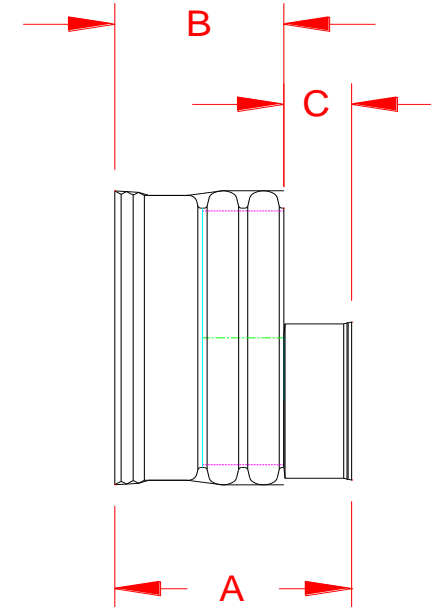
WT (INCLUDES 2 GASKETS)

NOTE: ALL FITTINGS DIMENSIONS ARE FOR REFERENCE ONLY

 Advanced Drainage Systems, Inc.	DRAWING #:	HP 19000
	DRAWN BY:	TJR 10/27/2009
	APPROVED BY:	
	REVISIONS:	TJR 10/18/2016

SANITITE® HP TRIPLE WALL FABRICATED REDUCERS
30" x 12" - 42" x 24" DIAMETER (IB BELL/BELL)

PART #	PIPE SIZE	A	B	C	JOINT
3074AN30BPT	30 x 12 in (750x 300 mm)	25.1 in (638 mm)	18.6 in (472 mm)	6.5 in (165 mm)	WT
3075AN30BPT	30 x 15 in (750 x 375 mm)	26.4 in (669 mm)	18.6 in (472 mm)	7.8 in (197 mm)	WT
3076AN30BPT	30 x 18 in (750 x 450mm)	27.5 in (698 mm)	18.6 in (472 mm)	8.9 in (226 mm)	WT
3077AN30BPT	30 x 24 in (750 x 600 mm)	25.6 in (650 mm)	18.6 in (472 mm)	7.0 in (178 mm)	WT
3674AN30BPT	36 x 12 in (900x 300 mm)	28.6 in (727 mm)	22.1 in (562 mm)	6.5 in (165 mm)	WT
3675AN30BPT	36 x 15 in (900 x 375 mm)	29.9 in (759 mm)	22.1 in (562 mm)	7.8 in (197 mm)	WT
3676AN30BPT	36 x 18 in (900 x 450mm)	31.0 in (788 mm)	22.1 in (562 mm)	8.9 in (226 mm)	WT
3677AN30BPT	36 x 24 in (900 x 600 mm)	29.1 in (740 mm)	22.1 in (562 mm)	7.0 in (178 mm)	WT
4274AN30BPT	42 x 12 in (1050 x 300 mm)	28.0 in (710 mm)	21.5 in (545 mm)	6.5 in (165 mm)	WT
4275AN30BPT	42 x 15 in (1050 x 375 mm)	29.2 in (742 mm)	21.5 in (545 mm)	7.8 in (197 mm)	WT
4276AN30BPT	42 x 18 in (1050 x 450 mm)	30.3 in (771 mm)	21.5 in (545 mm)	8.9 in (226 mm)	WT
4277AN30BPT	42 x 24 in (1050 x 600 mm)	28.5 in (723 mm)	21.5 in (545 mm)	7.0 in (178 mm)	WT



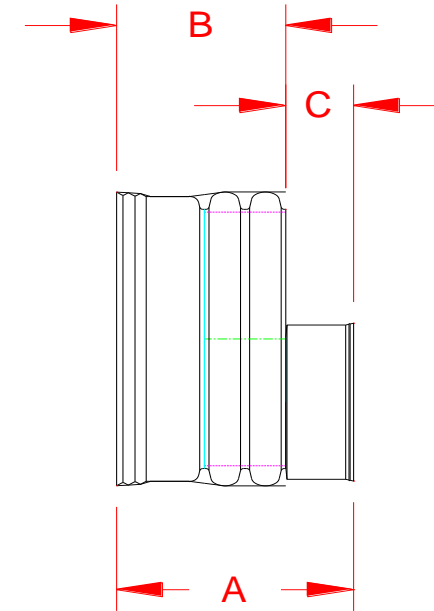
WT (INCLUDES 1 GASKET)

NOTE: ALL FITTINGS DIMENSIONS ARE FOR REFERENCE ONLY

	DRAWING #:	HP 19100
	DRAWN BY:	TJR 10/29/2009
	APPROVED BY:	
	REVISIONS:	TJR 10/18/2016

SANITITE® HP TRIPLE WALL FABRICATED REDUCERS
48" x 12" - 60" x 24" DIAMETER (IB BELLBELL)

PART #	PIPE SIZE	A	B	C	JOINT
4874AN30BPT	48 x 12 in (1200 x 300 mm)	32.4 in (822 mm)	25.9 in (657 mm)	6.5 in (165 mm)	WT
4875AN30BPT	48 x 15 in (1200 x 375 mm)	33.6 in (854 mm)	25.9 in (657 mm)	7.8 in (197 mm)	WT
4876AN30BPT	48 x 18 in (1200 x 450 mm)	34.7 in (882 mm)	25.9 in (657 mm)	8.9 in (226 mm)	WT
4877AN30BPT	48 x 24 in (1200 x 600 mm)	32.9 in (835 mm)	25.9 in (657 mm)	7.0 in (178 mm)	WT
6074AN30BPT	60 x 12 in (1500 x 300 mm)	34.4 in (874 mm)	27.9 in (709 mm)	6.5 in (165 mm)	WT
6075AN30BPT	60 x 15 in (1500 x 375 mm)	35.7 in (906 mm)	27.9 in (709 mm)	7.8 in (197 mm)	WT
6076AN30BPT	60 x 18 in (1500 x 450 mm)	36.8 in (934 mm)	27.9 in (709 mm)	8.9 in (226 mm)	WT
6077AN30BPT	60 x 24 in (1500 x 600 mm)	34.9 in (886 mm)	27.9 in (709 mm)	7.0 in (178 mm)	WT



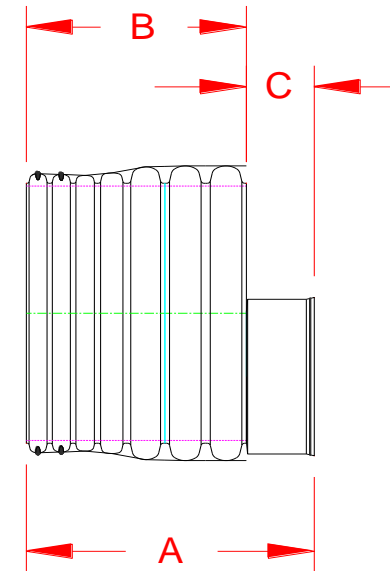
WT (INCLUDES 1 GASKET)

NOTE: ALL FITTINGS DIMENSIONS ARE FOR REFERENCE ONLY

 Advanced Drainage Systems, Inc.	DRAWING #:	HP 19200
	DRAWN BY:	TJR 10/29/2009
	APPROVED BY:	
	REVISIONS:	TJR 10/18/2016

SANITITE® HP TRIPLE WALL FABRICATED REDUCERS
30" x 12" - 42" x 24" DIAMETER (IB SPIGOT/BELL)

PART #	PIPE SIZE	A	B	C	JOINT
3074AN30GPT	30 x 12 in (750x 300 mm)	30.2 in (768 mm)	23.7 in (602 mm)	6.5 in (165 mm)	WT
3075AN30GPT	30 x 15 in (750 x 375 mm)	31.5 in (799 mm)	23.7 in (602 mm)	7.8 in (197 mm)	WT
3076AN30GPT	30 x 18 in (750 x 450mm)	32.6 in (828 mm)	23.7 in (602 mm)	8.9 in (226 mm)	WT
3077AN30GPT	30 x 24 in (750 x 600 mm)	30.7 in (780 mm)	23.7 in (602 mm)	7.0 in (178 mm)	WT
3674AN30GPT	36 x 12 in (900x 300 mm)	35.3 in (896 mm)	28.8 in (731 mm)	6.5 in (165 mm)	WT
3675AN30GPT	36 x 15 in (900 x 375 mm)	36.5 in (928 mm)	28.8 in (731 mm)	7.8 in (197 mm)	WT
3676AN30GPT	36 x 18 in (900 x 450mm)	37.7 in (956 mm)	27.8 in (705 mm)	8.9 in (226 mm)	WT
3677AN30GPT	36 x 24 in (900 x 600 mm)	35.8 in (909 mm)	28.8 in (731 mm)	7.0 in (178 mm)	WT
4274AN30GPT	42 x 12 in (1050 x 300 mm)	28.3 in (718 mm)	21.8 in (552 mm)	6.5 in (165 mm)	WT
4275AN30GPT	42 x 15 in (1050 x 375 mm)	29.5 in (749 mm)	21.8 in (552 mm)	7.8 in (197 mm)	WT </td
4276AN30GPT	42 x 18 in (1050 x 450 mm)	30.6 in (778 mm)	21.8 in (552 mm)	8.9 in (226 mm)	WT
4277AN30GPT	42 x 24 in (1050 x 600 mm)	28.8 in (730 mm)	21.8 in (552 mm)	7.0 in (178 mm)	WT



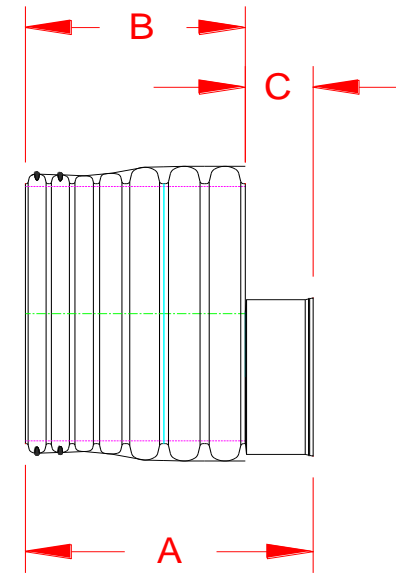
WT (INCLUDES 3 GASKETS)

NOTE: ALL FITTINGS DIMENSIONS ARE FOR REFERENCE ONLY

	DRAWING #:	HP 19300
	DRAWN BY:	TJR 10/29/2009
	APPROVED BY:	
	REVISIONS:	TJR 10/18/2016

SANITITE® HP TRIPLE WALL FABRICATED REDUCERS
48" x 12" - 60" x 24" DIAMETER (IB SPIGOT\BELL)

PART #	PIPE SIZE	A	B	C	JOINT
4874AN30GPT	48 x 12 in (1200 x 300 mm)	32.0 in (812 mm)	25.5 in (646 mm)	6.5 in (165 mm)	WT
4875AN30GPT	48 x 15 in (1200 x 375 mm)	33.2 in (843 mm)	25.5 in (646 mm)	7.8 in (197 mm)	WT
4876AN30GPT	48 x 18 in (1200 x 450 mm)	34.3 in (872 mm)	25.5 in (646 mm)	8.9 in (226 mm)	WT
4877AN30GPT	48 x 24 in (1200 x 600 mm)	32.5 in (824 mm)	25.5 in (646 mm)	7.0 in (178 mm)	WT
6074AN30GPT	60 x 12 in (1500 x 300 mm)	42.0 in (1066 mm)	35.5 in (901 mm)	6.5 in (165 mm)	WT
6075AN30GPT	60 x 15 in (1500 x 375 mm)	43.2 in (1098 mm)	35.5 in (901 mm)	7.8 in (197 mm)	WT
6076AN30GPT	60 x 18 in (1500 x 450 mm)	44.3 in (1126 mm)	35.5 in (901 mm)	8.9 in (226 mm)	WT
6077AN30GPT	60 x 24 in (1500 x 600 mm)	42.5 in (1079 mm)	35.5 in (901 mm)	7.0 in (178 mm)	WT



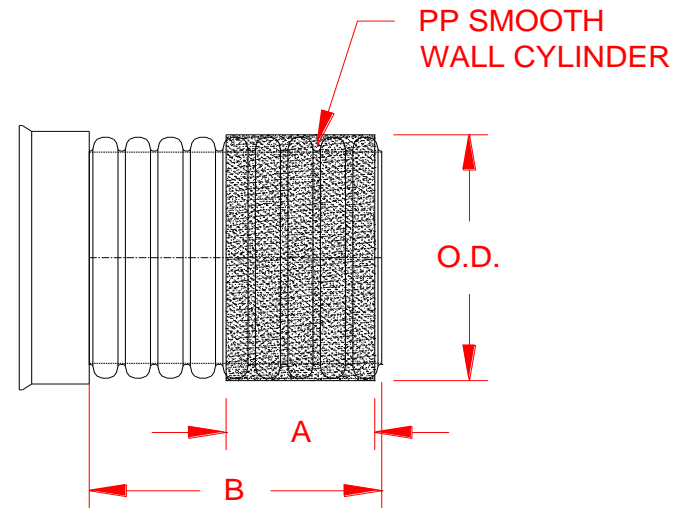
WT (INCLUDES 3 GASKETS)

NOTE: ALL FITTINGS DIMENSIONS ARE FOR REFERENCE ONLY

	DRAWING #:	HP 19400	
	DRAWN BY:	TJR	10/29/2009
	APPROVED BY:		
	REVISIONS:	TJR	10/18/2016

**SANITITE® HP DUAL WALL TO RCP MANHOLE ADAPTER FITTING (BELL END)
WATER TIGHT CONNECTION**

PART #	PIPE SIZE	A	B	OD
1222ANBP	12 in (300 mm)	12.0 in (305 mm)	49.0 in (1245 mm)	14.8 in (376 mm)
1522ANBP	15 in (375 mm)	14.5 in (368 mm)	48.8 in (1239 mm)	18.1 in (459 mm)
1822ANBP	18 in (450 mm)	19.5 in (495 mm)	47.6 in (1208 mm)	21.8 in (554 mm)
2422ANBP	24 in (600 mm)	23.3 in (591 mm)	47.7 in (1212 mm)	28.9 in (733 mm)



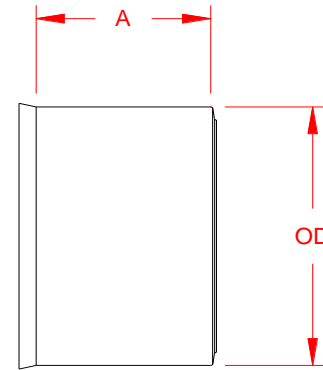
NOTE:
REQUIRES SERIES 65 GASKET (INCLUDED)
IN FIELD TO MAKE WT CONNECTION

NOTE: ALL DIMENSIONS ARE NOMINAL

 Advanced Drainage Systems, Inc.	DRAWING #:	HP 20000
	DRAWN BY:	TJR 10/27/2009
	APPROVED BY:	
	REVISIONS:	TJR 10/18/2016

ADS SANITITE® HP MANHOLE ADAPTER

PART #	PIPE SIZE	A	OD
1222AAPP	12 in (300 mm)	12.0 in (305 mm)	15.3 in (389 mm)
1522AAPP	15 in (375 mm)	12.0 in (305 mm)	18.3 in (465 mm)
1822AAPP	18 in (450 mm)	15.0 in (381 mm)	22.0 in (559 mm)
2422AAPP	24 in (600 mm)	18.0 in (457 mm)	29.0 in (737 mm)



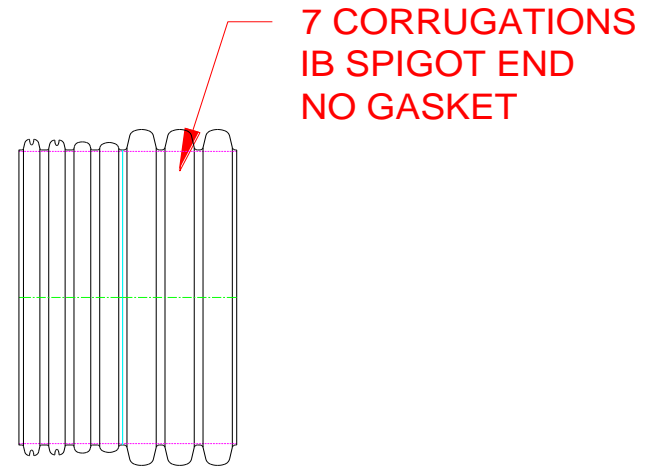
WT (INCLUDES 2 GASKETS)

NOTE: ALL DIMENSIONS ARE NOMINAL

 Advanced Drainage Systems, Inc.	DRAWING #:	HP 20100
	DRAWN BY:	TJR 11/8/2012
	APPROVED BY:	
	REVISIONS:	TJR 10/18/2016


SANITITE® HP DUAL WALL
12" -30" JOINT PUSHER

PART #	PIPE SIZE
1208ANP	12 in (300 mm)
1508ANP	15 in (375 mm)
1808ANP	18 in (450 mm)
2408ANP	24 in (600 mm)
3008ANP	30 in (750 mm)



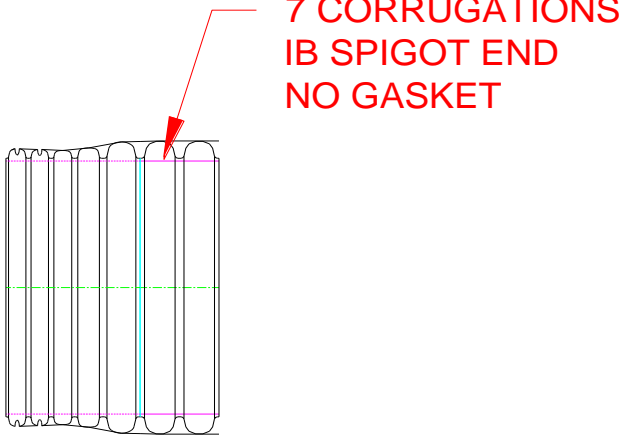
NOTE:
GASKETS NOT INCLUDED
IF WT FIELD CONNECTION IS NEEDED
SERIES 65 GASKETS WILL NEED TO BE
ORDERED SEPARATELY

NOTE: ALL DIMENSIONS ARE NOMINAL

	DRAWING #:	HP 20200
	DRAWN BY:	TJR 2/10/2010
	APPROVED BY:	
	REVISIONS:	TJR 10/18/2016


**SANITITE® HP TRIPLE WALL
30" -60" JOINT PUSHER**

PART #	PIPE SIZE
3008ANPT	30 in (750 mm)
3608ANPT	36 in (900 mm)
4208ANPT	42 in (1050 mm)
4808ANPT	48 in (12000 mm)
6008ANPT	60 in (1500 mm)



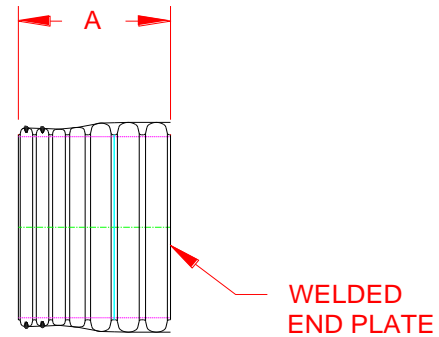
NOTE:
REQUIRES SERIES 65 GASKET (INCLUDED)
IN FIELD TO MAKE WT CONNECTION

NOTE: ALL DIMENSIONS ARE NOMINAL

 Advanced Drainage Systems, Inc.	DRAWING #:	HP 20300
	DRAWN BY:	TJR 2/10/2010
	APPROVED BY:	
	REVISIONS:	TJR 10/18/2016

SANITITE® HP TRIPLE WALL FABRICATED END CAPS
30" - 60" DIAMETER (IB SPIGOT)

PART #	PIPE SIZE	A	JOINT
3001AN30GPT	30 in (750 mm)	23.7 in (602 mm)	WT
3601AN30GPT	36 in (900 mm)	28.8 in (731 mm)	WT
4201AN30GPT	42 in (1050 mm)	21.8 in (552 mm)	WT
4801AN30GPT	48 in (1200 mm)	25.5 in (646 mm)	WT
6001AN30GPT	60 in (1500 mm)	35.5 in (901 mm)	WT



WT (INCLUDES 2 GASKETS)

NOTE: ALL FITTINGS DIMENSIONS ARE FOR REFERENCE ONLY

	DRAWING #:	HP 20400	
	DRAWN BY:	TJR	8/19/2010
	APPROVED BY:		
	REVISIONS:	TJR	10/18/2016