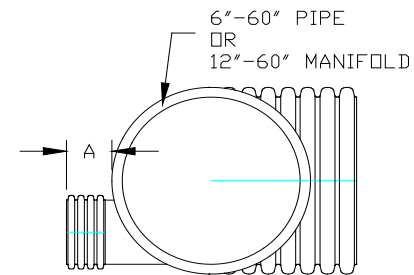
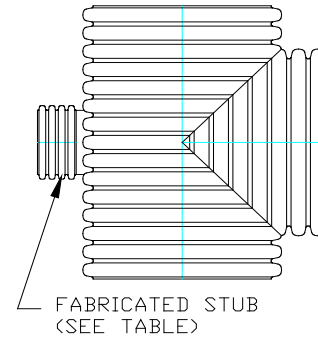


HP STORM DUAL WALL FABRICATED STUB

PART #	PIPE SIZE	A
1206ANP	12 in (300 mm)	12.0 in (305 mm)
1506ANP	15 in (375 mm)	16.0 in (406 mm)
1806ANP	18 in (450 mm)	16.0 in (406 mm)
2406ANP	24 in (600 mm)	16.0 in (406 mm)



This component item can only be ordered with standard manifold fittings or standard pipe. When ordering this component item, be sure to include shop drawing showing the location of stub on standard manifold or pipe product.

Contact your local sales representative for acceptable size combinations, ie 48" manifold fitting with a 24" stub. **Not all combinations of stub on standard manifold or pipe product are allowed.**

NOTE: ALL FITTINGS DIMENSIONS ARE FOR REFERENCE ONLY

 <small>Advanced Drainage Systems, Inc.</small>	DRAWING #:	13675	
	DRAWN BY:	TJR	12/14/2016
	APPROVED BY:		
	REVISIONS:		