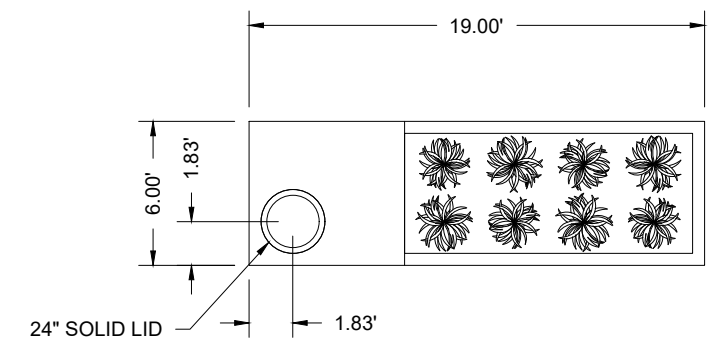
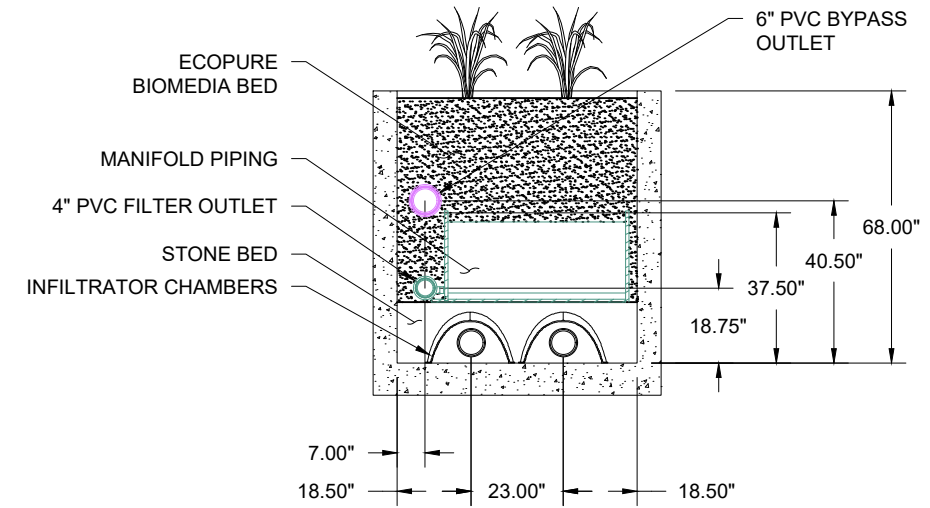


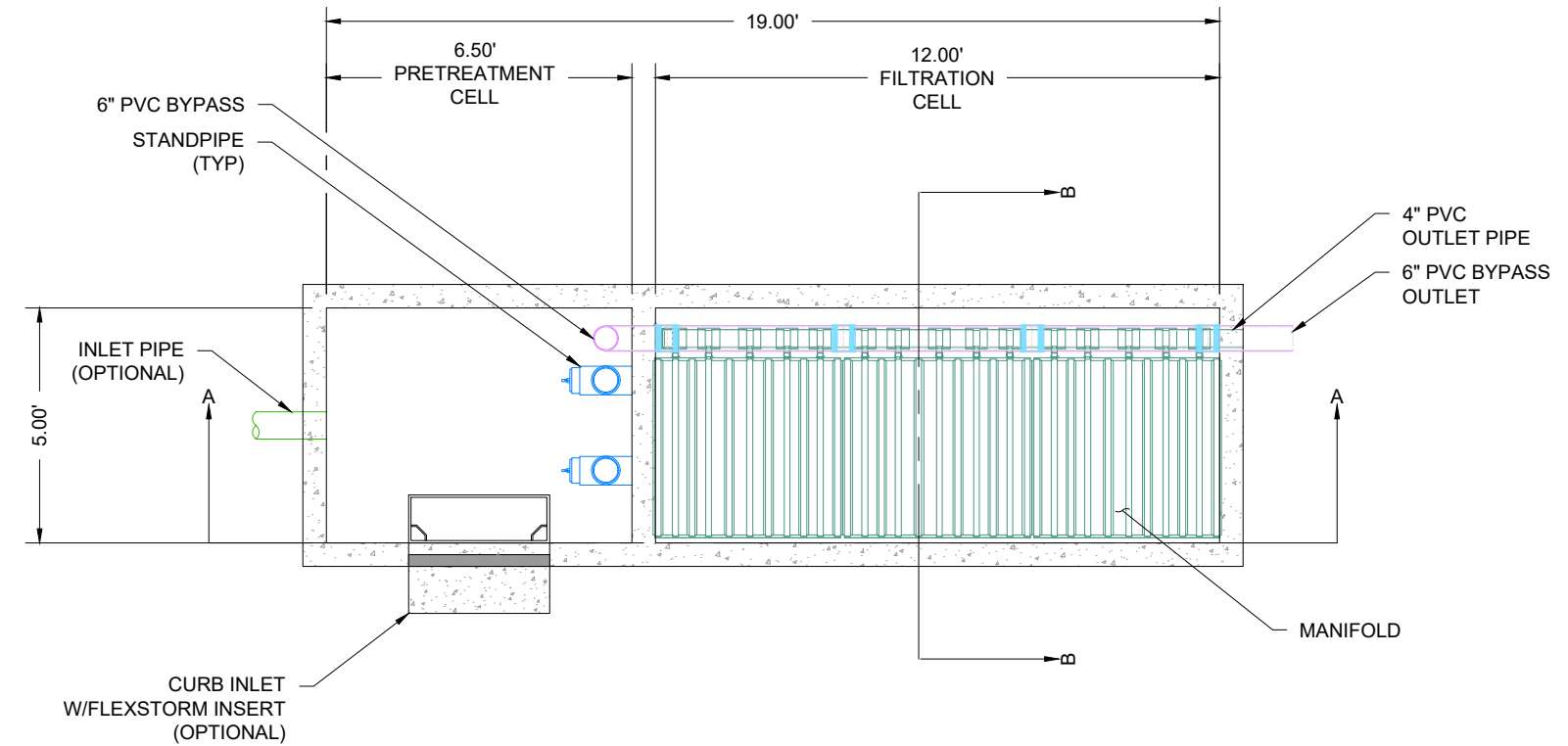
SECTION A-A
NTS



TOP SLAB PLAN VIEW
NTS / PIPE CONNECTIONS NOT SHOWN



SECTION B-B
NTS



PLAN VIEW
NTS

ECOPURE BIOFILTER 180	
WATER QUALITY FLOW RATE	0.40 CFS
EFFECTIVE LOADING RATE	1 GPM/SFKLJ
DRAINAGE AREA	0.972 ACRES
TREATED SEDIMENT CAPACITY	583.5 LBS

THE ECOPURE BIOFILTER™ IS A BIOFILTRATION STORMWATER TREATMENT TECHNOLOGY RELIES ON PHYSICAL, CHEMICAL AND BIOLOGICAL MECHANISMS TO REMOVE TOTAL SUSPENDED SOLIDS, TOTAL PHOSPHORUS, TOTAL NITROGEN, HEAVY METALS, OIL and GREASE, TRASH AND BACTERIA. THE ECOPURE SYSTEM PROVIDES LINEAR TREATMENT DESIGN WITH AN UPFRONT PRETREATMENT CHAMBER.

ECOPURE BIOFILTER 180	STANDARD DETAIL	DATE: 6/08/22	DRAWN: KLJ	CHECKED: KLJ
6/19/23	KLJ	KLJ	MAINTENANCE REDUCTION	PROJECT #:
DATE	DRWN	CHKD	DESCRIPTION	

EcoPure™ Biofilter
Stormwater Media Filters

4640 TRUJEMAN BLVD
HILLIARD, OH 43026

NOT TO SCALE

1 SHEET

OF 1

THIS DRAWING HAS BEEN PREPARED BASED ON INFORMATION PROVIDED TO ADS UNDER THE DIRECTION OF THE SITE DESIGN ENGINEER OR OTHER PROJECT REPRESENTATIVE. THE SITE DESIGN ENGINEER SHALL REVIEW THIS DRAWING PRIOR TO CONSTRUCTION. IT IS THE ULTIMATE RESPONSIBILITY OF THE SITE DESIGN ENGINEER TO ENSURE THAT THE PRODUCT(S) DEPICTED AND ALL ASSOCIATED DETAILS MEET ALL APPLICABLE LAWS, REGULATIONS, AND PROJECT REQUIREMENTS.