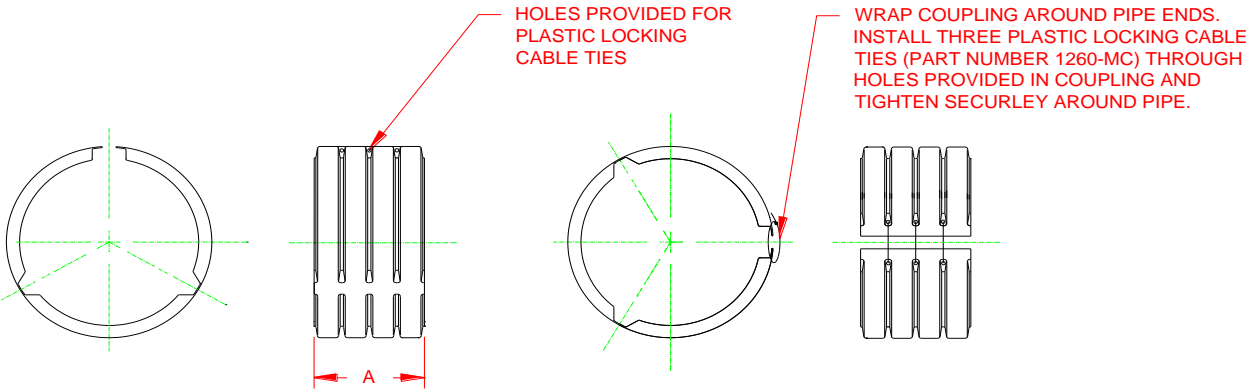



HP STORM DUAL WALL SPLIT COUPLER 12" - 60" DIAMETER

PART #	PIPE SIZE	A
1265AC	12 in (300 mm)	7.7 in (195 mm)
1565AC	15 in (375 mm)	10.4 in (263 mm)
1865AC	18 in (450 mm)	10.7 in (272 mm)
2465AC	24 in (600 mm)	12.6 in (320 mm)
3065AA	30 in (750 mm)	16.5 in (419 mm)
3661AA	36 in (900 mm)	21.0 in (533 mm)
4265AA**	42 in (1050 mm)	20.8 in (527 mm)
4865AA**	48 in (1200 mm)	21.0 in (533 mm)
6065AA**	60 in (1500 mm)	24.0 in (610 mm)



NOTE: ALL FITTINGS DIMENSIONS ARE FOR REFERENCE ONLY

© 2021 Advanced Drainage Systems, Inc.

 Advanced Drainage Systems, Inc.	DRAWING #:	HP 8000
	DRAWN BY:	TJR 10/21/2009
	APPROVED BY:	
	REVISIONS:	TJR 4/19/2016