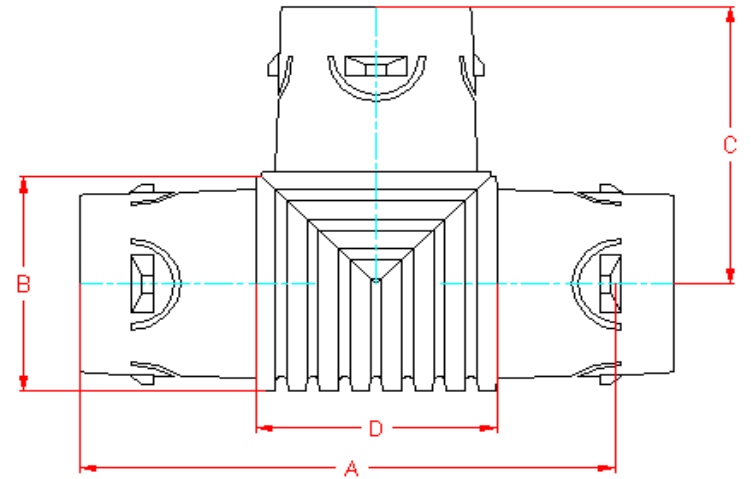


# INTERNAL SNAP TEE

PART #	PIPE SIZE	A	B	C	D
0321AAIN	3 in (75 mm)	9.1 in (231 mm)	3.5 in (89 mm)	4.6 in (116 mm)	3.7 in (94 mm)



NOTE: ALL DIMENSIONS ARE NOMINAL

© 2023 Advanced Drainage Systems, Inc.

 <b>Advanced Drainage Systems, Inc.</b>	DRAWING #:	1026
	DRAWN BY:	CRM 09.11.06
	APPROVED BY:	JCB 06.25.07
	REVISIONS:	NJP 06.12.07