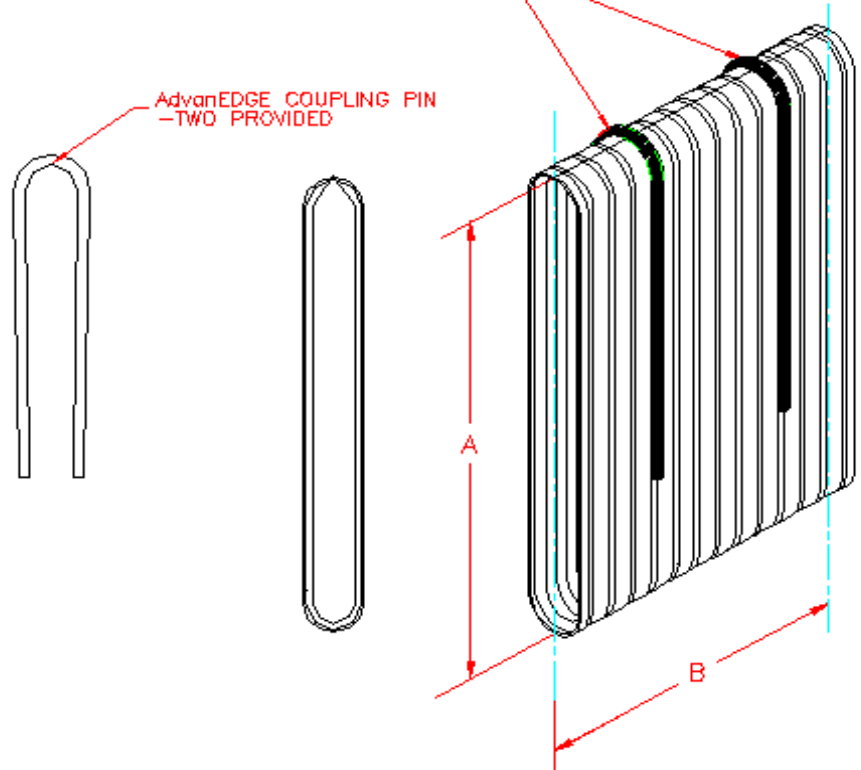


AdvanEDGE® EXTERNAL SPLIT COUPLERS

INSERT AdvanEDGE COUPLING PINS
IN CORRUGATIONS AS SHOWN

AdvanEDGE COUPLING PIN
-TWO PROVIDED

PART #	PIPE SIZE	A	B
1411AA	12 in (300 mm)	12.9 in (327 mm)	8.5 in (216 mm)



NOTE: ALL FITTINGS DIMENSIONS ARE FOR REFERENCE ONLY

© 2023 Advanced Drainage Systems, Inc.

 Advanced Drainage Systems, Inc.	DRAWING #:	1100	
	DRAWN BY:	JCB	04.06.06
	APPROVED BY:	JCB	06.25.07
	REVISIONS:	NJP	06.12.07