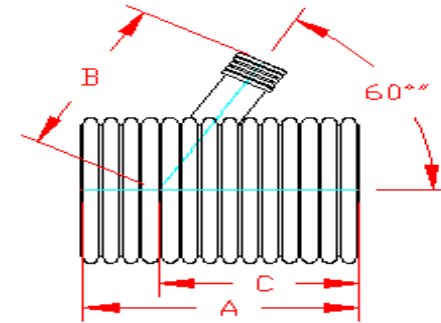
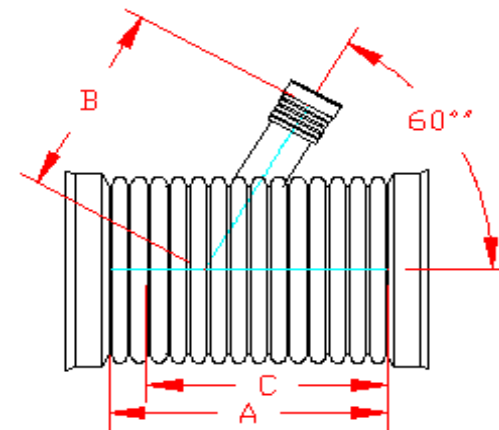


**DUAL WALL FABRICATED 60° REDUCING WYES**  
**48"×12" - 48"×24" DIAMETER**

PART #	PIPE SIZE	A	B	C	JOINT
4884AN60	48 x 12 in (1200 x 300 mm)	63.0 in (1600 mm)	48.2 in (1225 mm)	47.0 in (1193 mm)	*
4884AN6065B	48 x 12 in (1200 x 300 mm)	52.5 in (1334 mm)	46.3 in (1176 mm)	41.7 in (1060 mm)	WT
4885AN60	48 x 15 in (1200 x 375 mm)	63.0 in (1600 mm)	54.2 in (1378 mm)	47.0 in (1193 mm)	*
4885AN6065B	48 x 15 in (1200 x 375 mm)	52.5 in (1334 mm)	51.7 in (1312 mm)	41.7 in (1060 mm)	WT
4886AN60	48 x 18 in (1200 x 450 mm)	68.3 in (1734 mm)	55.1 in (1399 mm)	49.6 in (1260 mm)	*
4886AN6065B	48 x 18 in (1200 x 450 mm)	57.8 in (1467 mm)	52.4 in (1330 mm)	44.3 in (1126 mm)	WT
4887AN60	48 x 24 in (1200 x 600 mm)	78.8 in (2000 mm)	59.3 in (1506 mm)	54.8 in (1393 mm)	*
4887AN6065B	48 x 24 in (1200 x 600 mm)	68.3 in (1734 mm)	56.1 in (1426 mm)	49.6 in (1260 mm)	WT



PLAIN END



WT (INCLUDES 3 GASKETS)

\* = PLAIN END  
 ST = SOIL TIGHT  
 WT = WATER TIGHT

NOTE: ALL FITTINGS DIMENSIONS ARE FOR REFERENCE ONLY

© 2023 Advanced Drainage Systems, Inc.



DRAWING #:	2385A	
DRAWN BY:	JCB	04.20.06
APPROVED BY:	JCB	06.26.07
REVISIONS:	NJP	06.14.07