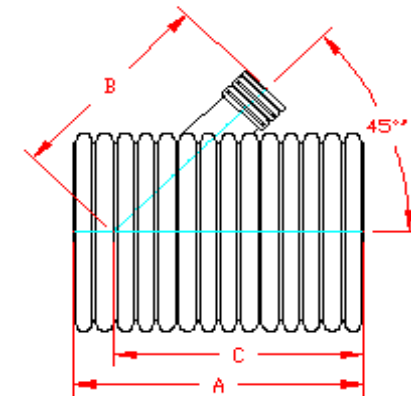


## DUAL WALL FABRICATED REDUCING WYES 6"×4" - 10"× 8" DIAMETER

PART #	PIPE SIZE	A	B	C	JOINT
** 0680AN	6 x 4 in (150 x 100 mm)	16.3 in (413 mm)	16.0 in (405 mm)	11.6 in (295 mm)	*
** 0880AN	8 x 4 in (200 x 100 mm)	18.2 in (463 mm)	17.3 in (439 mm)	14.0 in (356 mm)	ST
** 0881AN	8 x 6 in (200 x 150 mm)	23.0 in (585 mm)	19.7 in (499 mm)	15.9 in (405 mm)	WT
** 1080AN	10 x 4 in (250 x 100 mm)	22.7 in (576 mm)	18.7 in (475 mm)	17.3 in (439 mm)	*
** 1081AN	10 x 6 in (250 x 150 mm)	23.9 in (608 mm)	21.1 in (535 mm)	17.5 in (444 mm)	ST
** 1082AN	10 x 8 in (250 x 200 mm)	27.7 in (704 mm)	23.4 in (594 mm)	19.5 in (496 mm)	WT



PLAIN END

\* = PLAIN END  
ST = SOIL TIGHT  
WT = WATER TIGHT

\*\* LIMITED AVAILABILITY. PLEASE SEE INJECTION MOLDED FITTING SECTION FOR OTHER AVAILABLE FITTINGS

NOTE: ALL FITTINGS DIMENSIONS ARE FOR REFERENCE ONLY

© 2023 Advanced Drainage Systems, Inc.



DRAWING #:	2305	
DRAWN BY:	JCB	06.14.06
APPROVED BY:	JCB	06.26.07
REVISIONS:	TJR	2/2/2010