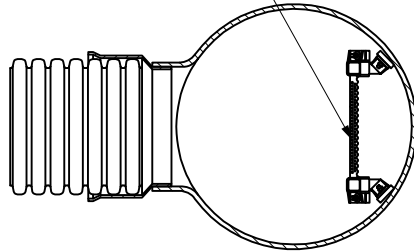
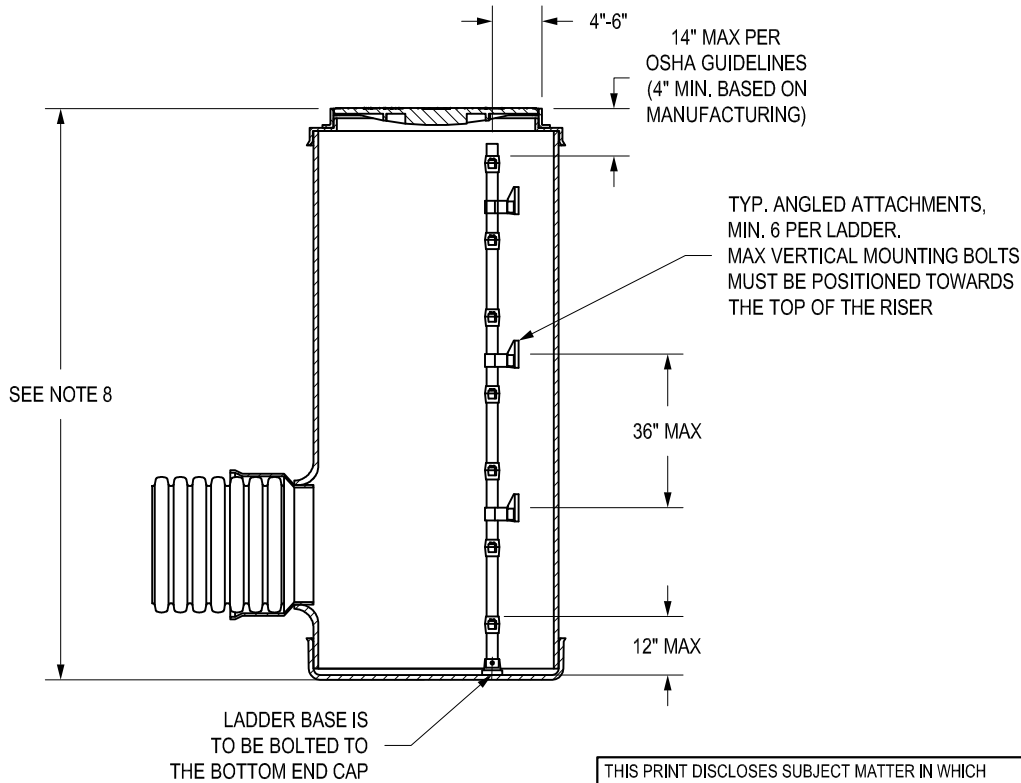
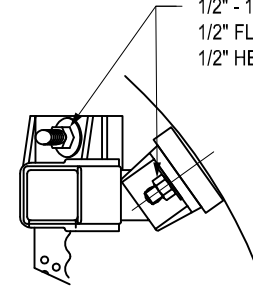


NYLOPLAST 36" STRUCTURE WITH LADDER DETAIL

CORROSION RESISTANT LADDER
PER OSHA 1910.27



SS HARDWARE FURNISHED
WITH LADDERS
1/2" - 13 X 1 3/4" HEX HEAD BOLT,
1/2" FLAT WASHER, &
1/2" HEX NUT




NOTES:

- LADDERS SERVING MANHOLES CAN USE DEVIATIONS OF OSHA 1910.27 FOUND IN ASTM C478-12. LADDERS ARE TO BE ORDERED FROM LANE INTERNATIONAL CORPORATION ONLY.
- CORROSION RESISTANT BRACKETS, WITH STAINLESS STEEL HARDWARE, SHALL BE ATTACHED TO THE LADDER BY THE PIPE FABRICATOR. THE HARDWARE IS INCLUDED WITH LADDER.
- USE STAINLESS STEEL BOLTS, WASHERS AND NUTS TO ATTACH THE LADDER BRACKETS THROUGH THE PVC DRAIN BASIN SIDE WALL.
- LADDER SHALL BE PLACED SO THAT TOP RUNG IS LESS THAN 14-INCHES FROM BASE SURFACE AND BOTTOM RUNG IS AS LOW AS POSSIBLE.
- BOTTOM OF LADDER SHALL BE ATTACHED TO BOTTOM END CAP WITH SS HARDWARE SUPPLIED WITH THE LADDER.
- WEIGHT OF LADDER TO REST ON END CAP.
- ALL HARDWARE IS TO BE TIGHTENED PRIOR TO SHIPMENT.
- VARIOUS HEIGHTS ARE AVAILABLE FOR NYLOPLAST 36" MANHOLES WITH LADDERS. **FOR 36" MANHOLE BODIES THAT EXCEED 84", LADDERS ARE TO BE FIELD INSTALLED AND RISER SECTIONS ARE REQUIRED TO REACH THE DESIRED STRUCTURE HEIGHT. CONTACT NYLOPLAST FOR DOCUMENTATION SUPPORTING FIELD INSTALLATION OF LADDERS.**

THIS PRINT DISCLOSES SUBJECT MATTER IN WHICH NYLOPLAST HAS PROPRIETARY RIGHTS. THE RECEIPT OR POSSESSION OF THIS PRINT DOES NOT CONFER, TRANSFER, OR LICENSE THE USE OF THE DESIGN OR TECHNICAL INFORMATION SHOWN HEREIN REPRODUCTION OF THIS PRINT OR ANY INFORMATION CONTAINED HEREIN, OR MANUFACTURE OF ANY ARTICLE HEREFROM, FOR THE DISCLOSURE TO OTHERS IS FORBIDDEN, EXCEPT BY SPECIFIC WRITTEN PERMISSION FROM NYLOPLAST. ©2007 NYLOPLAST

DRAWN BY NMH	MATERIAL
DATE 2-16-18	
APPD BY NMH	
DATE 2-16-18	
REVSD BY NMH	PROJECT NO./NAME
DATE 10-04-21	
APPD BY NMH	
DATE 10-04-21	
DWG SIZE A	SCALE 1:30 SHEET 1 OF 1

	3130 VERONA AVE BUFORD, GA 30518 PHN (770) 932-2443 FAX (770) 932-2490 www.nyloplast-us.com
	TITLE NYLOPLAST 36" STRUCTURE WITH LADDER DETAIL
DWG NO. 7001-110-528	REV B