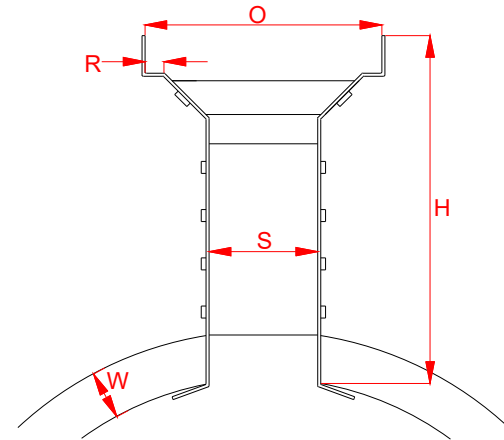
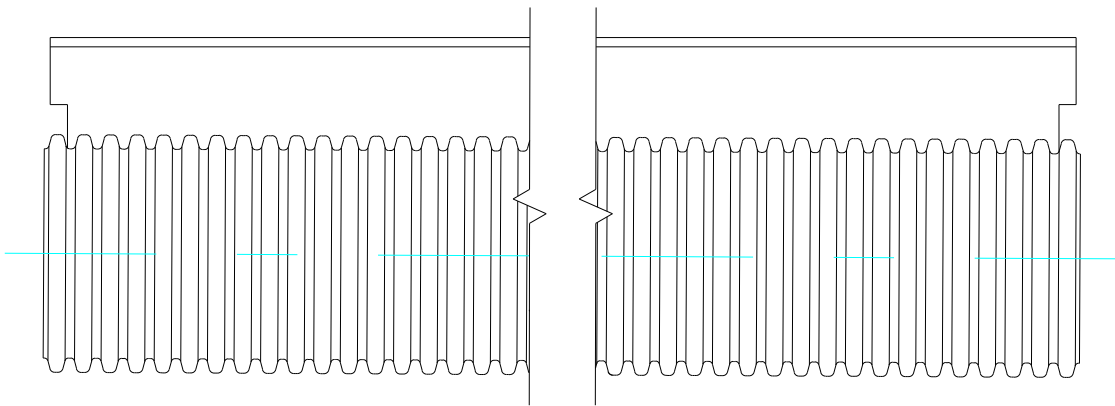


PLAN VIEW



CROSS SECTION



PROFILE VIEW

PIPE Ø, in (mm)	H, in (mm)	W, in (mm)	O, in (mm)	S, in (mm)	R, in (mm)	PRODUCT #
6 (150)	3.00 (76)	0.46 (13)	5.00 (127)	2.25 (57)	0.32 (8)	0620DSXL
6 (150)	6.50 (165)					0660DSXL
8 (200)	3.00 (76)	0.61 (15)				0820DSXL
8 (200)	6.50 (165)					0860DSXL
10 (250)	3.00 (76)	0.73 (19)				1020DSXL
10 (250)	6.50 (165)					1060DSXL
12 (300)	3.50 (89)	1.15 (29)				1220DSXL
12 (300)	7.00 (178)					1260DSXL
15 (375)	7.00 (178)	1.30 (33)				1560DSXL
18 (450)	7.00 (178)	1.57 (40)				1860DSXL
24 (600)	7.25 (184)	1.86 (40)				2460DSXL
30 (750)	8.25 (210)	2.55 (65)				3060DSXL
36 (900)	8.25 (210)	2.85 (72)	3660DSXL			

**NOTES:**

- SEE GRATING DETAILS FOR SURFACE TREATMENT OPTIONS

© 2022 ADS, INC.

1	Updates to dimensions	KJS	05/19/2023	-
REV.	DESCRIPTION	BY	MM/DD/YY	CHK'D

ADVANCED DRAINAGE SYSTEMS, INC. ("ADS") HAS PREPARED THIS DETAIL BASED ON INFORMATION PROVIDED TO ADS. THIS DRAWING IS INTENDED TO DEPICT THE COMPONENTS AS REQUESTED. ADS HAS NOT PERFORMED ANY ENGINEERING OR DESIGN SERVICES FOR THIS PROJECT, NOR HAS ADS INDEPENDENTLY VERIFIED THE INFORMATION SUPPLIED. THE INSTALLATION DETAILS PROVIDED HEREIN ARE GENERAL RECOMMENDATIONS AND ARE NOT SPECIFIC FOR THIS PROJECT. THE DESIGN ENGINEER SHALL REVIEW THESE DETAILS PRIOR TO CONSTRUCTION. IT IS THE DESIGN ENGINEERS RESPONSIBILITY TO ENSURE THE DETAILS PROVIDED HEREIN MEETS OR EXCEEDS THE APPLICABLE NATIONAL, STATE, OR LOCAL REQUIREMENTS AND TO ENSURE THAT THE DETAILS PROVIDED HEREIN ARE ACCEPTABLE FOR THIS PROJECT.

**Duraslot XL Pipe**  
Standard Slot Height

DRAWING NUMBER: STD-1400B



4640 TRUEMAN BLVD  
HILLIARD, OHIO 43026

DRAWN BY:	KJS
DATE:	04-18-2023
CHK'D BY:	
SCALE:	NTS
SHEET:	1 OF 1